

Eclipse Pump Series Size 75 Metallic
Consolidated Bill of Material

Position 1,2,3,4 - Base Pump Material/Ports

			Position 4 Base Pump Material and Port Connection			
			316L SS (A, G, or U)			
E75	Description	Item	Part Number	Material	Qty	
Common Parts	Bolt, Front Cover	3	NP990559-188	Stainless Steel	5	
	Bolt, Housing	4	W770426-188	Stainless Steel	4	
	Set Screw	5	W771004-030	Stainless Steel	2	
	Grounding Hardware	27	NG990041-075	Stainless Steel	1	
	Grounding Kit	N/S	NG990041-000	N/A	1	
	Spring	17	99642	Stainless Steel	6	
	Pin, Guide	18	99641	Stainless Steel	6	
	Nameplate	N/S	NG550004-304	Stainless Steel	1	
	Drive Screw	N/S	W771000-188	Stainless Steel	2	
	Plug, Drain	6	W772565-316	Stainless Steel	2	
	Lifting Lug	N/S	W212304-STL	Steel	1	
	Can, Containment	15	99600	Alloy C	1	
	Ring, Containment Can	25	99630	Stainless Steel	1	
	Bolt, Containment Ring	24	W770021-188	Stainless Steel	12	
	Power Frame Adaptor	19	99619	Aluminum	1	
	Liner	7	NG220005-FTE	ETFE	1	
	Cover, Front	2	NG020023-316	Stainless Steel	1	
	A, C	Housing, Center FNPT	1	NG040055-316	Stainless Steel	1
G, J	Housing, Center BSPT	NG040062-316		Stainless Steel	1	
U, V	Housing, Center Flange	NG040056-316		Stainless Steel	1	
Position 9	S, F, B, A, C, T, G, P, H, J, K	Driven Magnet Assembly	14	NG200069-316	Stainless Steel	1

Position 5 - Bearing Materials

	Description	Item	Part Number	Material	Qty
L	Bearing	10	NG080004-CBN	Carbon 92	2
B	Bearing		NG080004-SIC	Silicon Carbide	2
T	Bearing		NG080015-FTE	Teflon	2

Position 6 - O-ring Material Selection

	Description	Item	Part Number	Material	Qty
U	O-ring Containment Can	11	W212172-TFE	PTFE	1
	O-ring Cover	12	NP440155-TFE	PTFE	1
	O-ring Compression	13	NG440152-KLZ	Kalrez	1

	Description	Item	Part Number	Material	Qty
K	O-ring Containment Can	11	W212172-KLZ	Kalrez	1
	O-ring Cover	12	NG440155-KLZ	Kalrez	1
	O-ring Compression	13	NG440152-KLZ	Kalrez	1

Position 7 - NEMA and IEC Metric Frame Magnetic Coupling Arrangement

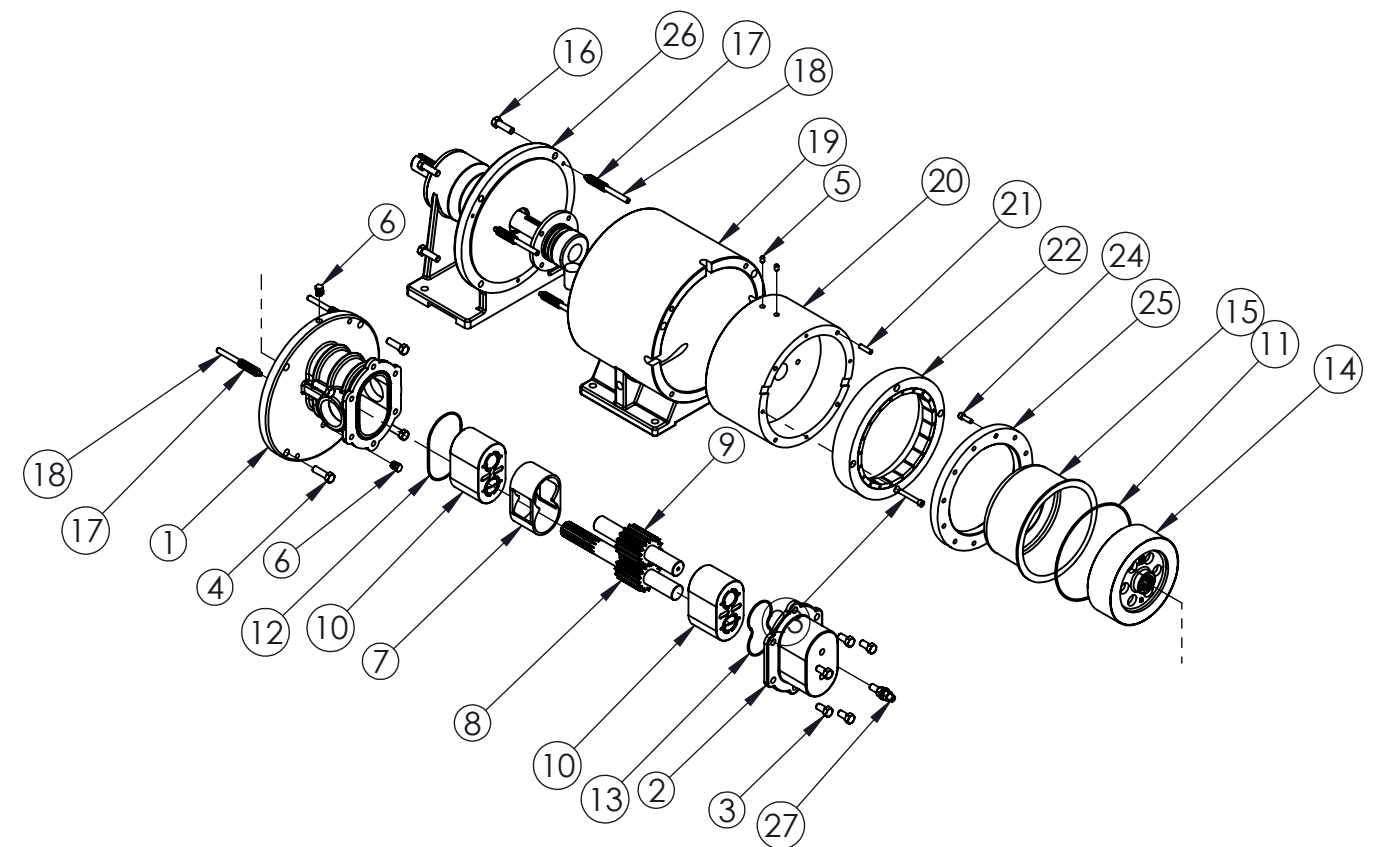
			Position 9 Magnet Options		
			S, F, B, A, C, T, G, P, H, J, K		
Position 7	Description	Item	Part Number	Material	Qty
R	Power Frame Assembly	26	99648	Gray Iron	1
	Housing, Drive Magnet	20	99640	Steel	1
	Pin, Drive Magnet/Holder	21	W771209-003	Stainless Steel	4
	Drive Magnet Ring	22	99635	Steel	1
	Screw, Magnet/Holder	23	W770027-188	Stainless Steel	4
	Bolt, Power Frame	16	W770426-188	Stainless Steel	4

IEC Metric frame components (100/112)

			Position 9 Magnet Options		
			S, F, B, A, C, T, G, P, H, J, K		
Position 7	Description	Item	Part Number	Material	Qty
U	Power Frame Assembly	26	99648	Gray Iron	1
	Housing, Drive Magnet	20	99640	Steel	1
	Pin, Drive Magnet/Holder	21	W771209-003	Stainless Steel	4
	Drive Magnet Ring	22	99635	Steel	1
	Screw, Magnet/Holder	23	W770027-188	Stainless Steel	4
	Bolt, Power Frame	16	W770426-188	Stainless Steel	4

Position 9 - Gear Assembly Materials

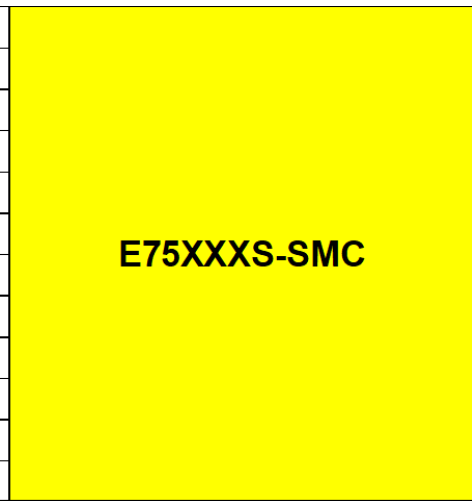
	Description	Item	Part Number	Material	Qty
-S	Gear Assembly, Drive	8	NG010042-FTE	316L / FTE	1
	Gear Assembly, Idler	9	NG010043-FTE	316L / FTE	1
-F	Gear Assembly, Drive	8	NG010059-316	Cast 316L	1
	Gear Assembly, Idler	9	NG010043-FTE	316L / FTE	1
-A	Gear Assembly, Drive	8	NG010075-FTE	Alloy C / FTE	1
	Gear Assembly, Idler	9	NG010076-FTE	Alloy C / FTE	1
-C	Gear Assembly, Drive	8	NG010059-HC0	Cast Alloy C	1
	Gear Assembly, Idler	9	NG010076-FTE	Alloy C / FTE	1
-T	Gear Assembly, Drive	8	NG010059-316	Cast 316L	1
	Gear Assembly, Idler	9	NG010056-PK1	316L / PEEK	1
-G	Gear Assembly, Drive	8	NG010059-HC0	Cast Alloy C	1
	Gear Assembly, Idler	9	NG010077-PK1	Alloy C / PEEK	1
-H	Gear Assembly, Drive	8	NG010059-316	Cast 316L	1
	Gear Assembly, Idler	9	NG010060-316	Cast 316L	1
-J	Gear Assembly, Drive	8	NG010059-HC0	Cast Alloy C	1
	Gear Assembly, Idler	9	NG010060-HC0	Cast Alloy C	1
-K	Gear Assembly, Drive	8	NG010059-HC0	Cast Alloy C	1
	Gear Assembly, Idler	9	NG010060-316	Cast 316L	1
-B	Gear Assembly, Drive	8	NG010063-FTE	ALA / FTE	1
	Gear Assembly, Idler	9	NG010019-FTE	ALA / FTE	1
-P	Gear Assembly, Drive	8	NG010078-PK1	ALA / PEEK	1
	Gear Assembly, Idler	9	NG010079-PK1	ALA / PEEK	1



Postion 7 - NEMA Frame Magnetic Coupling Arrangement NEMA frame components (182-4TC or 213/5TC)

Eclipse Pump Series Size 75 Metallic Consolidated Bill of Materials

182/4TC frame components	Item	Part Number:	Material	Qty
ADAPTOR,PWR FR ALUM GM12/6	19	99619	Alum	1
HSG, DRIVE MAG GM12/GM16	28	NG200080-IRN	Iron	1
.2502ODX 1.00 DOWEL PIN 0188	21	W771209-003	S.S.	2
RING ASSY,DRV MAG SGL GM12	22	99635	Sam Cob / S.S.	1
.25-20X1.75 SCREW SKHD 00188	23	W770027-188	S.S.	4
.38-16X1.25 BOLT HEXHD 20188	16	W770426-188	S.S.	8
ADAPT,MOTOR 56/215TC	29	NG110034-188	S.S.	1
CPLG, DRIVE MAG/MOTO 182/4TC	30	NG940007-STL	Steel	1
.31-18X .38 SCREW SETSC 80STA	31	W771004-046	Steel	1
.50-13X1.00 BOLT HEX HD 20188	32	W770482-188	S.S.	4
.25-20X .75 SCREW SKHD 00188	33	W770021-188	S.S.	4



213/5TC frame components	Item	Part Number:	Material	Qty
ADAPTOR,PWR FR ALUM GM12/6	19	99619	Alum	1
HSG, DRIVE MAG GM12/GM16	28	NG200080-IRN	Iron	1
.2502ODX 1.00 DOWEL PIN 0188	21	W771209-003	S.S.	2
RING ASSY,DRV MAG SGL GM12	22	99635	Sam Cob / S.S.	1
.25-20X1.75 SCREW SKHD 00188	23	W770027-188	S.S.	4
.38-16X1.25 BOLT HEXHD 20188	16	W770426-188	S.S.	8
ADAPT,MOTOR 56/215TC	29	NG110034-188	S.S.	1
CPLG, DRIVE MAG/MOTO 213/5TC	30	NG940008-STL	Steel	1
.38-16X.75 SCREW SETSC 80STA	31	W771004-041	Steel	1
.50-13X1.00 BOLT HEX HD 20188	32	W770482-188	S.S.	4
.25-20X .75 SCREW SKHD 00188	33	W770021-188	S.S.	4

