

Eclipse Pump Series Size 125 Metallic
Consolidated Bill of Material

Position 1,2,3,4 - Base Pump Material/Ports

			Position 4 Base Pump Material and Port Connection 316L SS (A, G, or U)			
E125	Description	Item	Part Number	Material	Qty	
Common Parts	Bolt, Front Cover	3	NP990559-188	Stainless Steel	5	
	Bolt, Housing	4	W770426-188	Stainless Steel	4	
	Set Screw	5	W771004-030	Stainless Steel	2	
	Grounding Hardware	27	NG990041-125	Stainless Steel	1	
	Grounding Kit	N/S	NG990041-000	N/A	1	
	Spring	17	99642	Stainless Steel	6	
	Pin, Guide	18	99641	Stainless Steel	6	
	Nameplate	N/S	NG550004-304	Stainless Steel	1	
	Drive Screw	N/S	W771000-188	Stainless Steel	2	
	Plug, Drain	6	W772565-316	Stainless Steel	2	
	Can, Containment	15	99600	Alloy C	1	
	Ring, Containment Can	25	99630	Stainless Steel	1	
	Bolt, Containment Ring	26	W770021-188	Stainless Steel	12	
	Power Frame Adaptor	19	99619	Aluminum	1	
	Liner	7	NG220007-FTE	ETFE	1	
Cover, Front Brg Flush	2	NG020023-316	Stainless Steel	1		
A, C	Housing, Center FNPT	1	NG040055-316	Stainless Steel	1	
G, J	Housing, Center BSPT	1	NG040062-316	Stainless Steel	1	
U, V	Housing, Center Flange	1	NG040056-316	Stainless Steel	1	
Position 9	S, F, B, A, C, T, G, P, H, J, K	Driven Magnet Assembly	14	NG200069-316	Stainless Steel	1

Position 5 - Bearing Materials

	Description	Item	Part Number	Material	Qty
L	Bearing	10	NG080007-CBN	Carbon 92	2
B	Bearing		NG080007-SIC	Silicon Carbide	2
T	Bearing		NG080016-FTF	Teflon	2

Position 6 - O-ring Material Selection

	Description	Item	Part Number	Material	Qty
U	O-ring Containment Can	11	W212172-TFE	PTFE	1
	O-ring Cover	12	NR440155-TFE	PTFE	1
	O-ring Compression	13	NG440152-KLZ	Kalrez	1

	Description	Item	Part Number	Material	Qty
K	O-ring Containment Can	11	W212172-KLZ	Kalrez	1
	O-ring Cover	12	NG440155-KLZ	Kalrez	1

Position 7 - NEMA and IEC Metric Frame Magnetic Coupling Arrangement
NEMA frame components (182-184T or 213-215)

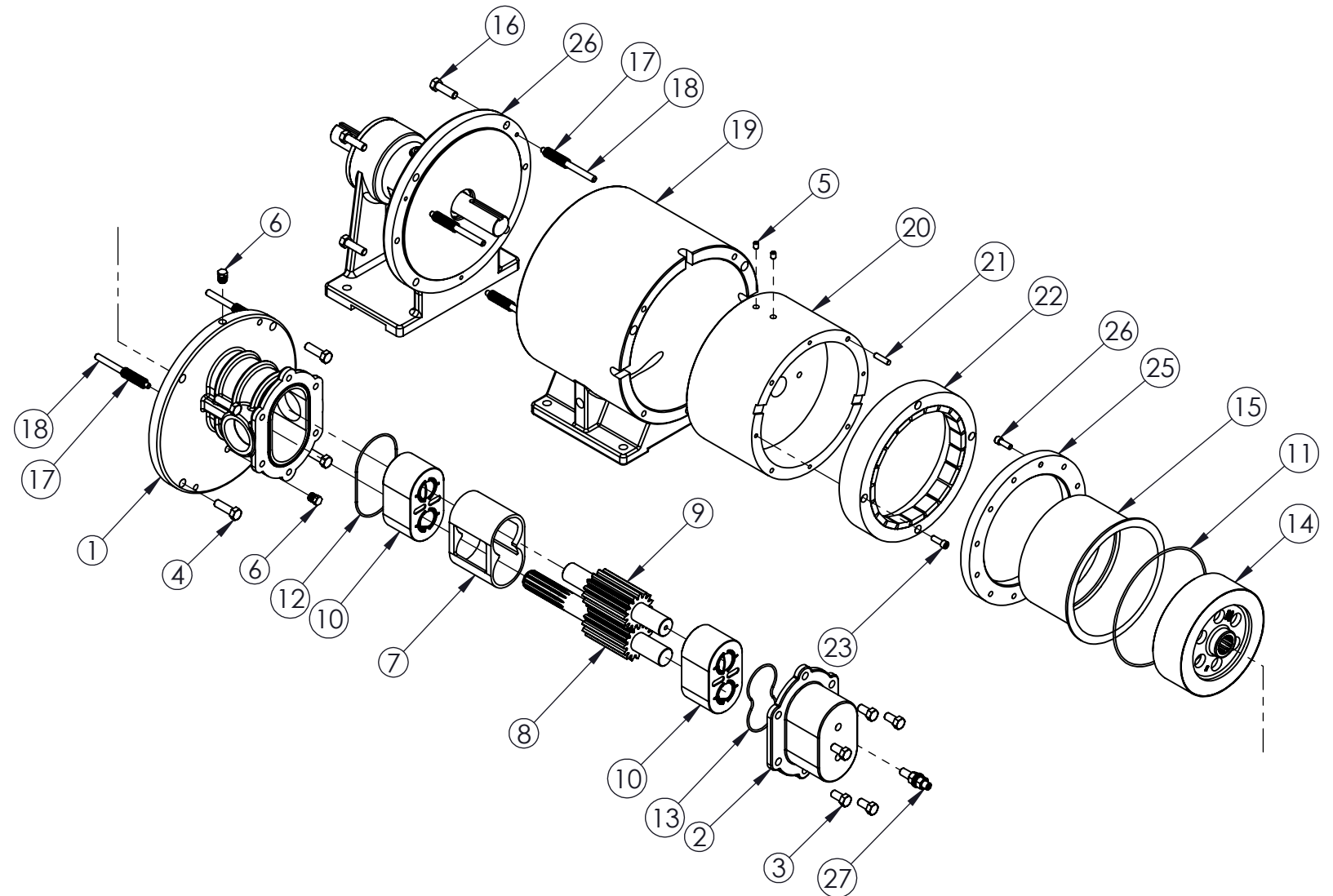
	Description	Item	Part Number	Material	Qty
R	Power Frame Assembly	26	99648	Gray Iron	1
	Housing, Drive Magnet	20	99640	Steel	1
	Pin, Drive Magnet/Holder	21	W771209-003	Stainless Steel	4
	Drive Magnet Ring	22	99635	Steel	1
	Screw, Magnet/Holder	23	W770027-188	Stainless Steel	4
	Bolt, Power Frame	16	W770426-188	Stainless Steel	4
Motor Mount Kit #	E125XXUR				

IEC Metric frame components (100/112)

	Description	Item	Part Number	Material	Qty
U	Power Frame Assembly	26	99648	Gray Iron	1
	Housing, Drive Magnet	20	99640	Steel	1
	Pin, Drive Magnet/Holder	21	W771209-003	Stainless Steel	4
	Drive Magnet Ring	22	99635	Steel	1
	Screw, Magnet/Holder	23	W770027-188	Stainless Steel	4
	Bolt, Power Frame	16	W770426-188	Stainless Steel	4
Motor Mount Kit #	E125XXUU				

Position 9 - Gear Assembly Materials

	Description	Item	Part Number	Material	Qty
-S	Gear Assembly, Drive	8	NG010044-FTE	316L / FTE	1
	Gear Assembly, Idler	9	NG010045-FTE	316L / FTE	1
-F	Gear Assembly, Drive	8	NG010052-316	Cast 316L	1
	Gear Assembly, Idler	9	NG010045-FTE	316L / FTE	1
-A	Gear Assembly, Drive	8	NG010080-FTE	Alloy C / FTE	1
	Gear Assembly, Idler	9	NG010081-FTE	Alloy C / FTE	1
-C	Gear Assembly, Drive	8	NG010052-HC0	Cast Alloy C	1
	Gear Assembly, Idler	9	NG010081-FTE	Alloy C / FTE	1
-T	Gear Assembly, Drive	8	NG010052-316	Cast 316L	1
	Gear Assembly, Idler	9	NG010057-PK1	316L / PEEK	1
-G	Gear Assembly, Drive	8	NG010052-HC0	Cast Alloy C	1
	Gear Assembly, Idler	9	NG010082-PK1	Alloy C / PEEK	1
-H	Gear Assembly, Drive	8	NG010052-316	Cast 316L	1
	Gear Assembly, Idler	9	NG010058-316	Cast 316L	1
-J	Gear Assembly, Drive	8	NG010052-HC0	Cast Alloy C	1
	Gear Assembly, Idler	9	NG010058-HC0	Cast Alloy C	1
-K	Gear Assembly, Drive	8	NG010052-HC0	Cast Alloy C	1
	Gear Assembly, Idler	9	NG010058-316	Cast 316L	1
-B	Gear Assembly, Drive	8	NG010061-FTE	ALA / FTE	1
	Gear Assembly, Idler	9	NG010024-FTE	ALA / FTE	1
-P	Gear Assembly, Drive	8	NG010083-PK1	ALA / PEEK	1
	Gear Assembly, Idler	9	NG010084-PK1	ALA / PEEK	1



Postion 7 - NEMA Frame Magnetic Coupling Arrangement

182/4TC frame components	Item	Part Number:	Material	Qty
HSG, DRIVE MAG GM12/GM16	28	NG200080-IRN	Iron	1
.2502ODX 1.00 DOWEL PIN 0188	21	W771209-003	S.S.	2
RING ASSY,DRV MAG SGL GM12	22	99635	Sam Cob / S.S.	1
.25-20X1.75 SCREW SKHD 00188	23	W770027-188	S.S.	4
.38-16X1.25 BOLT HEXHD 20188	16	W770426-188	S.S.	8
ADAPT,MOTOR 56/215TC	29	NG110034-188	S.S.	1
CPLG, DRIVE MAG/MOTO 182/4TC	30	NG940007-STL	Steel	1
.31-18X .38 SCREW SETSC 80STA	31	W771004-046	Steel	1
.50-13X1.00 BOLT HEX HD 20188	32	W770482-188	S.S.	4
.25-20X .75 SCREW SKHD 00188	33	W770021-188	S.S.	4
ADAPTER, MOTOR E75/125 - 184TC	34	NG110036-304	S.S.	1
.25-20X .88 SCREW SKHD 00188	35	W770022-188	S.S.	4

E125XXXS-SMC

143/5TC frame components	Item	Part Number:	Material	Qty
Housing, Drive Mag GM12/16	28	NG200080-IRN	Iron	1
.2502ODX 1.00 DOWEL PIN 0188	21	W771209-003	S.S.	2
RING ASSY,DRV MAG SGL GM12	22	99635	Sam Cob / S.S.	1
.25-20X1.75 SCREW SKHD 00188	23	W770027-188	S.S.	4
.38-16X1.25 BOLT HEXHD 20188	16	W770426-188	S.S.	8
Adapter, Motor 56/215TC	29	NG110034-188	S.S.	1
CPLG,DRIVE MAG/MOTO 140TC-18	30	NG940003-STL	Steel	1
.31-18X .38 SCREW SETSC 80STA	31	W771004-046	Steel	1
.50-13X1.00 BOLT HEX HD 20188	32	W770482-188	S.S.	4
.25-20X .75 SCREW SKHD 00188	33	W770021-188	S.S.	4

E125XXO-SMC

213/5TC frame components	Item	Part Number:	Material	Qty
HSG, DRIVE MAG GM12/GM16	28	NG200080-IRN	Iron	1
.2502ODX 1.00 DOWEL PIN 0188	21	W771209-003	S.S.	2
RING ASSY,DRV MAG SGL GM12	22	99635	Sam Cob / S.S.	1
.25-20X1.75 SCREW SKHD 00188	23	W770027-188	S.S.	4
.38-16X1.25 BOLT HEXHD 20188	16	W770426-188	S.S.	8
ADAPT,MOTOR 56/215TC	29	NG110034-188	S.S.	1
CPLG, DRIVE MAG/MOTO 213/5TC	30	NG940008-STL	Steel	1
.38-16X.75 SCREW SETSC 80STA	31	W771004-041	Steel	1
.50-13X1.00 BOLT HEX HD 20188	32	W770482-188	S.S.	4
.25-20X .75 SCREW SKHD 00188	33	W770021-188	S.S.	4

E125XXW-SMC

