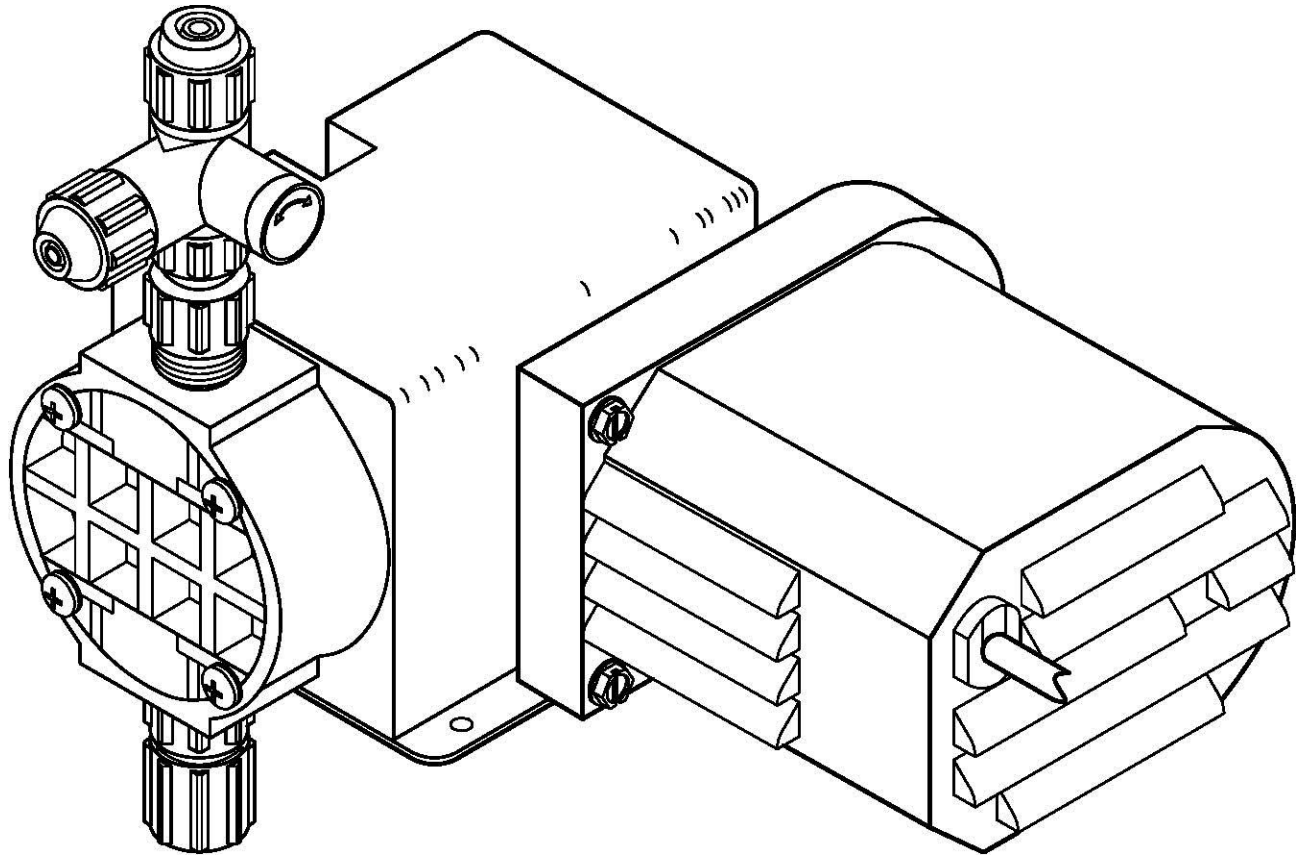


**READ ALL CAUTIONS CAREFULLY BEFORE
INSTALLING PUMP**



SERIES 100/150

**INSTRUCTION
MANUAL**

TABLE OF CONTENTS

	<u>Page</u>
SAFETY INSTRUCTIONS	2
INTRODUCTION.....	2
PRECAUTIONS FOR OPERATION	3
INSTALLATION, PIPING AND WIRING	4
BLEED VALVE INSTALLATION (Optional)	6
CURRENT INTERRUPTOR (Optional).....	7
MAINTENANCE	8
SERVICE AND REPAIRS	9
TROUBLESHOOTING	10
PARTS LIST (EXPLODED PUMP ASSEMBLY).....	11
REPLACEMENT KITS (EXPLODED WET END ASSEMBLY).....	12

SAFETY INSTRUCTIONS

READ ALL INSTRUCTIONS PRIOR TO USE

⚠ DANGER Secure chemicals & metering pumps, making them inaccessible to children & pets.

***** DO NOT PUMP FLAMMABLE LIQUIDS.**

******* Do not cut the plug or ground lug off the electrical cord. Consult a licensed electrician for proper installation or replacement.

⚠ WARNING To reduce the risk of electrical shock-before maintenance, repair, or moving, always disconnect the power to the pump by unplugging from wall outlet.

⚠ WARNING Always wear protective clothing, including gloves and safety glasses, when working on or near chemical metering pumps.

****** Inspect tubing regularly for cracking or deterioration and replace as necessary. **(Always wear protective clothing and safety glasses when inspecting tubing.)**

****** Use **CAUTION** to keep fingers away from rotating parts.

****** If pump is exposed to direct sunlight, use a UV resistant tubing.

****** Follow directions and warnings provided from the chemical manufacturer. The user is responsible for determining the chemical compatibility with the chemical feed pump.

****** Make sure the voltage on the pump name tag matches the installation voltage. If pump fails to start, check line voltage.

****** Consult with local health officials and/or qualified water conditioning specialists when treating potable water.

****** Always depressurize system prior to installation or disconnecting the metering pump tubing.

****** If injection point is lower than the chemical tank and pump, install an anti-siphon valve.

**** DO NOT MODIFY PUMP.** This poses a potentially dangerous situation and will void the warranty. Hand tighten plastic connections **(Do not use wrench)**.

⚠ CAUTION All pumps are factory tested with water. Remove tubing and thoroughly dry if the chemical being pumped will react with water (for example sulfuric acid).

* Hand tighten plastic connections **(Do not use wrench)**.

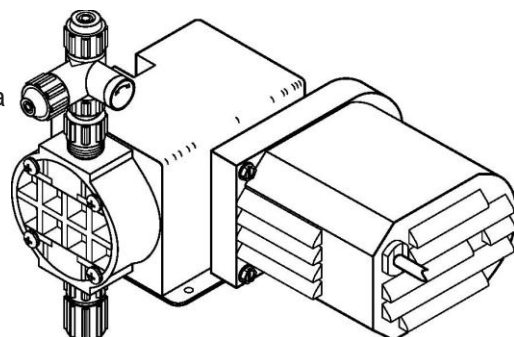
* Consult licensed plumber and electrician before installation to conform to local codes.

* **NOTE:** For accurate volume output, pump must be calibrated under all operating conditions.

INTRODUCTION

Series 100/150 are diaphragm-type metering pumps. A fluid is pumped from a chemical storage tank to the point of injection by the pulsing action of the diaphragm. The four check valves (top and bottom of pump head, strainer assembly, and injection assembly) keep the fluid flowing toward the point of discharge. To insure the solution being pumped can only go forward, it is important that all check valves provide positive, non-leaking backflow prevention. The wetted end (those parts that contact the solution being pumped) is constructed of SAN, PVC, TFE, Hypalon®, and polyethylene.

These materials are very resistant to most chemicals. However, there are some chemicals, such as strong acids or organic solvents, which cause deterioration of some elastomer and plastic parts, such as diaphragm, valve seat, or head. Alternate materials such as Viton®, polypropylene is available on request. Contact chemical supplier for chemical compatible materials.



■ MANUFACTURER'S PRODUCT WARRANTY

The manufacturer warrants its equipment of its manufacture to be free of defects in material or workmanship. Liability under this policy extends for twenty-four (24) months from the date of purchase or one (1) year from date of installation or whichever comes first. The manufacturer's liability is limited to repair or replacement of any device or part which is returned, prepaid, to the factory and which is proven defective upon examination. This warranty does not include installation or repair cost and in no event shall the manufacturer's liability exceed its selling price of such part.

The manufacturer disclaims all liability for damage to its products through improper installation, maintenance, use or attempts to operate such products beyond their functional capacity, intentionally or otherwise, or any unauthorized repair. Replaceable elastomeric parts are expendable and are not covered by any warranty either expressed or implied. The manufacturer is not responsible for consequential or other damages, injuries or expense incurred through use of its products.

The above warranty is in lieu of any other warranty, either expressed or implied. The manufacturer makes no warranty of fitness or merchantability. No agent of ours is authorized to make any warranty other than the above.

For warranty and service matters within the European Union, contact the seller first or:

Pulsafeeder, Inc. Europe
Units 12 and 13, Edison Road
Highfield Industrial Estates
Eastbourne, East Sussex BN23 6PT

PRECAUTIONS FOR OPERATION

Each Series 100/150 chemical feeder has been tested to meet prescribed specifications and certain safety standards. However, a few precautionary notes should be adhered to at all times. **THOROUGHLY READ ALL CAUTIONS PRIOR TO INSTALLING METERING PUMP.**



1. Chemicals used may be dangerous and should be used carefully and according to warnings on the label. Follow the directions given with each type of chemical. Do not assume chemicals are the same because they look alike. Always store chemicals in a safe location away from children and others. We cannot be responsible for the misuse of chemicals being fed by the pump.
2. Always wear protective clothing (protective gloves and safety glasses) when working on or near chemical metering pumps.
3. Tampering with electrical devices can be potentially hazardous. Always place chemicals and feeder installation well out of the reach of children and others.
4. Be careful to check that the voltage of the installation matches the voltage indicated on the specification label. Each pump is equipped with a three prong plug. Whether plugging into a receptacle or wiring into a system, always be sure the feeder is grounded. If receptacle is utilized, to disconnect, do not pull wire but grip the plug with fingers and pull out.
5. Never repair or move the metering pump while operating. Always disconnect electrical current. Before handling the pump always allow sufficient time for the motor housing to cool off. Handling the pump too soon after shutdown may cause hand burns. For safety use protective gloves.
6. All pumps are pretested with water before shipment. Remove head and dry thoroughly if you are pumping a material that will react with water, (e.g. sulfuric acid). Valve seats, ball checks, gaskets, and diaphragm should also be dried. Before placing feeder into service, extreme care should be taken to follow this procedure.
7. Arrows on the pump head and injection fitting indicate chemical flow. When properly installed, these arrows should be pointing upward.
8. When metering hazardous material DO NOT use plastic tubing. Strictly use proper rigid pipe. Consult supplier for special adaptors.
9. **Pump is NOT to be used to handle or meter flammable liquids or materials.**

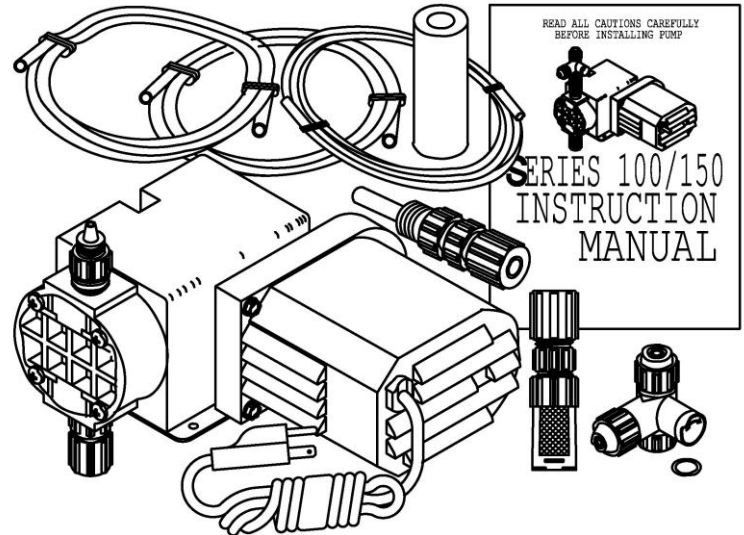
10. Standard white polyethylene discharge tubing is not recommended for installations exposed to direct sunlight. Consult supplier for special black polyethylene tubing.
11. Manufacturer will not be held responsible for improper installation of pumps, or local plumbing conducted. All cautions are to be read thoroughly prior to hook-up and plumbing. For all installations a professional plumber should be consulted. Always adhere to local plumbing codes and requirements.
12. Note the maximum pressure rating of the metering pump. When used with pressurized systems, always be sure the pressure of the system does not exceed maximum pressure rating listed on the specification label.
13. Be sure to depressurize system prior to hook-up or disconnection of metering pump.

INSTALLATION, PIPING AND WIRING

UNPACKING, ASSEMBLING AND MOUNTING:

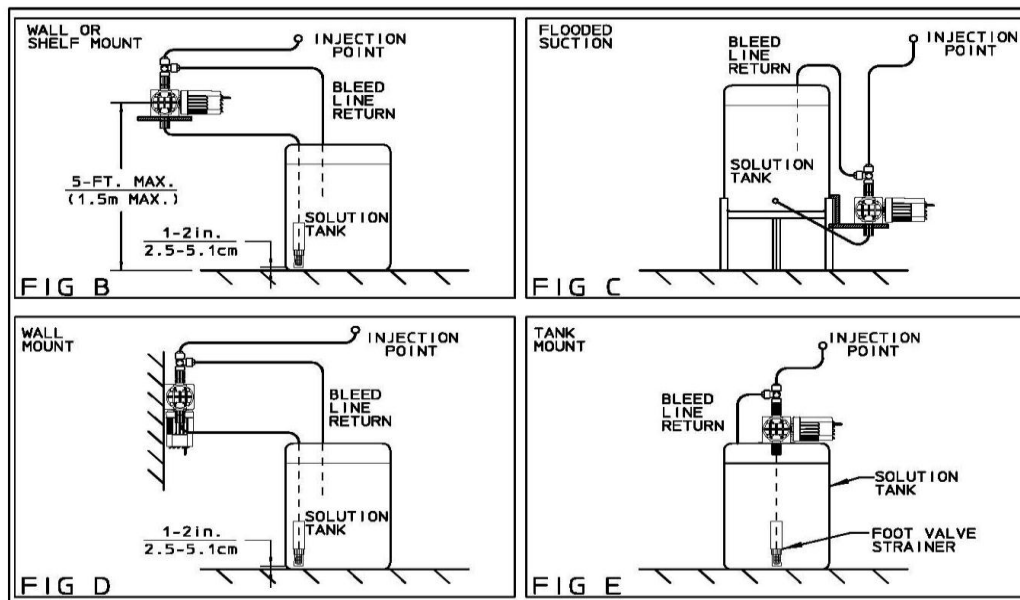
The carton should contain:

- ❖ Metering Pump
- ❖ 4 ft. (1.21 m) Clear Flexible Suction Tubing
- ❖ 4 ft. (1.21 m) Stiff White Return Tubing
- ❖ Feeder can be mounted on a wall shelf bracket (Figure B), tank stand platform (Figure C), directly on the wall (Figure D), or directly on the tank cover (Figure E).
- ❖ Bleed Valve Assembly
- ❖ Instructions
- ❖ Strainer Assembly w/Tube Weight
- ❖ Back Check Valve Assembly
- ❖ 8 ft (2.43 m) Stiff White Discharge Tubing (Optional black tubing for UV protection available from the factory)



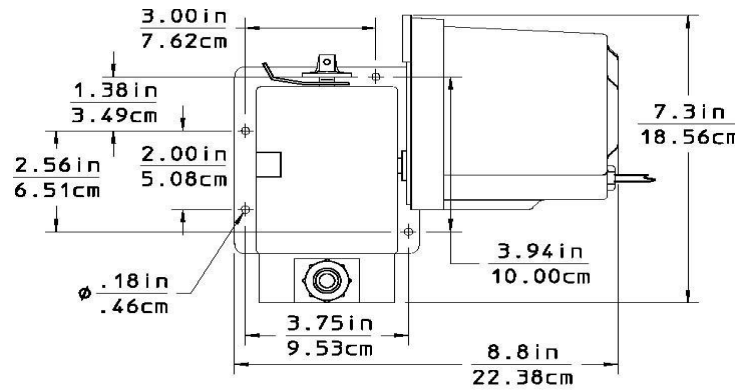
To mount the feeder directly on the wall, place the feeder base against the wall with the motor below the pumping head, remove four head mounting bolts, and turn head quarter turn so suction is in bottom position.

IMPORTANT: Injection point must be higher than top of solution tank to prohibit gravity feeding. Maximum head in meters is 70m/H₂O for Series 100 Model pumps and 42m/H₂O for Series 150 Model pumps.



NOTE: Make sure the arrow on the outside of the pump head is pointing upward. The pump must be positioned so that the plug is accessible.

Flooded suction mounting Fig. C (installing feeder at the base of tank on a platform) is the most trouble free type of installation. (Tank stands and platforms are available for all size feeders and tanks). The pump is secured on the platform, and then the clear suction tubing is attached to a bulkhead fitting assembly and the suction valve housing on the pump head. Since the suction tubing is always filled with solution, priming is accomplished much more quickly and the chance of losing prime on an installation where the feeder is used only a few hours a day, is greatly reduced. The feeder comes with a bleed valve assembly that attaches to the discharge valve in the pump head. The bleed valve allows you to manually prime the feeder and depressurize the discharge line without disconnecting the feeder from the tubing connections.



MOUNTING HOLE PATTERN

NOTE: To operate without bleed valve, replace bleed valve (item #49) and 0.38 in. (0.96 cm) -tubing size discharge valve housing (item # 42) with a 0.50 in. (1.27 cm) -tubing size discharge valve housing (item #42) and coupling nut (item #43). See page 12 (Wet End Assembly). Items #42 and #43 are available from factory.

Assemble tubing and fittings to the feeder (Fig. G).

CAUTION Do not force fittings, **HAND TIGHTEN ONLY**. Do not use additional sealants, such as pipe tape, on tubing fittings. Use additional sealants, such as pipe tape, on pipe fittings and tighten normally.

CAUTION If water is used to dissolve solid chemicals or create a dilute solution, the chemical tanks should be manually filled or an approved means must be used to prevent a cross connection between the chemical tank contents and the potable water line. Check local plumbing regulations.

CHEMICAL INJECTION:

Chemical injection into an open tank: The discharge tubing can be placed in an open tank with or without the injection valve assembly. Each feeder is shipped with a spring loaded back check injection valve. This assists in a positive seal on the discharge side of the pump head preventing back flow.

Pumps carrying the 'NSF' or the 'ETL Sanitation' (tested to NSF standard-50) approval are listed for swimming pools, spas, and hot tubs, and when proper materials are selected, are capable of handling but not limited to the following chemical solutions.

- 12 1/2% sodium hypochlorite
- 2% calcium hypochlorite
- 12% aluminum sulfate
- 10% hydrochloric acid
- 10% sodium hydroxide
- 5% sodium carbonate.

INSTALLATION INTO A WELL PUMP SYSTEM:

Make sure the voltage of the feeder matches the voltage of the well pump. Install the injection fitting into a tee which is installed into the water line going to the pressure tank. The end of the injection check valve should be in the main stream of the water line. A typical installation is shown in Figure H. **For installation of pump for operating swimming pools, pump is to be supplied by an isolating transformer or thru an "RCD" (residual current device).**

NOTE: It is recommended to install the injection assembly in a vertical position on the bottom side of the water line (Figure J).

This will insure proper sealing of the injection assembly check valve and prevent a back flow into the feeder's discharge line. Be sure arrow on injection fitting is pointing upward.

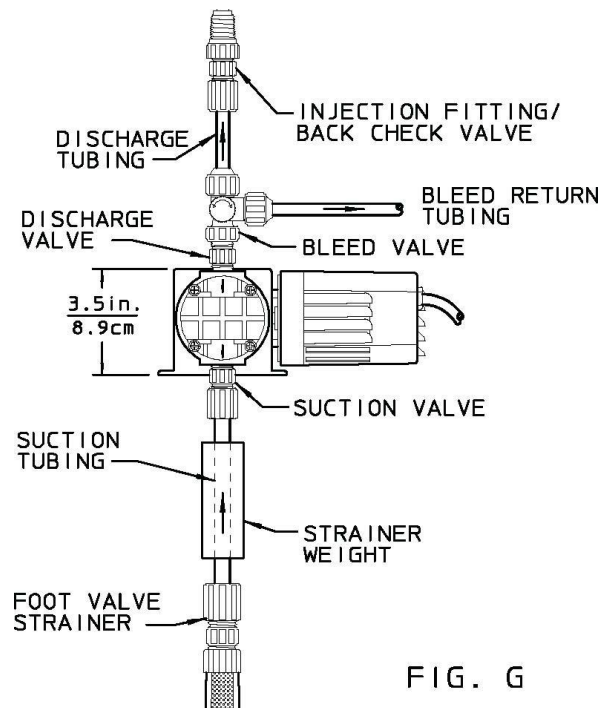


FIG. G

▪ **DOWN-THE-WELL INSTALLATION:**

Often it is desirable to provide chemical feed near the intake of the well pump for additional retention time and mixing of the chemicals. An additional length of discharge tubing will be required for this installation. Secure the end of the discharge tubing to the pump cylinder, drop pipe, or foot valve and lower it into the well. An anti-siphon valve must be installed on systems such as this where the discharge is lower than the feeder and the chemical storage tank.

Failure to install anti-siphon valve may allow siphoning to occur.

▪ **ANTI-SIPHON VALVE: (optional)**

Under any installation condition where the possibility of siphoning or suction may occur on the discharge side of the pump, install an anti-siphon valve on the discharge side of the feeder. The anti-siphon valve is not part of the standard package. This item can be furnished by your dealer at extra cost.

▪ **PRESSURE RELIEF VALVE: (optional)**

Series 100/150 chemical pumps are rated to pump against a line pressure up to 100 PSI (7 BAR). If the line pressure on an installation could fluctuate above 100 PSI (7 BAR), install a pressure relief valve on the discharge side of the pump head. Once the pressure reaches a certain level, the pre-set relief valve will return the solution being pumped back to the solution tank. This will prevent motor burnout or diaphragm rupture. The relief valve is not part of the standard package. This item can be furnished by your dealer at extra cost. Read relief valve instructions carefully before installing.

▪ **BLEED VALVE INSTALLATION: (optional)**

NOTE: After disconnecting power to the pump and taking necessary safety precautions regarding the chemical and system.

1. Remove the coupling nut and tubing from the discharge port of the pump.
2. Remove the valve housing from the discharge side of the pump head and replace it with the .38inch valve housing from the kit (this step is not required if the pump is already fitted for .38inch tubing).
3. Install the TFE gasket over the discharge fitting.
4. Install the bleed valve assembly over the discharge fitting and gasket.
5. Install the bypass tubing from the kit into the bypass port of the bleed valve and hand-tighten the coupling nut. Bypass tubing should be connected to return bypassed liquid back to the solution tank.
6. Install the discharge tubing into the discharge port of the bleed valve and hand tightens the coupling nut.

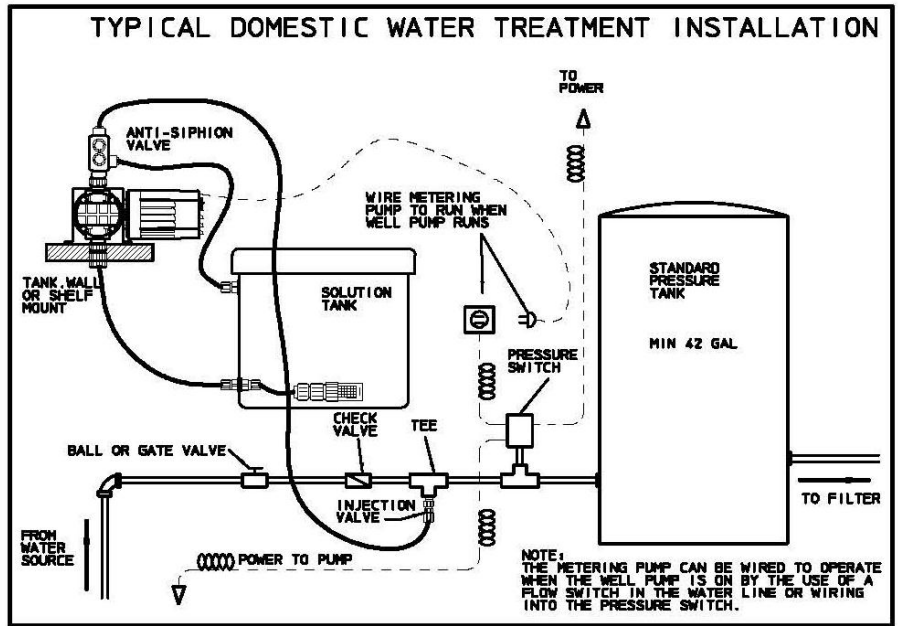


FIG. H

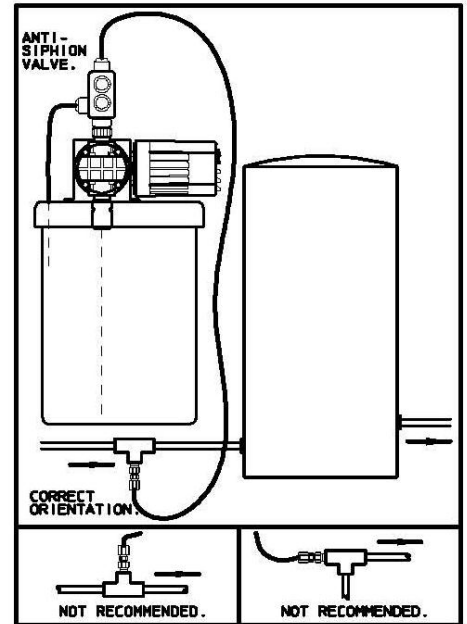
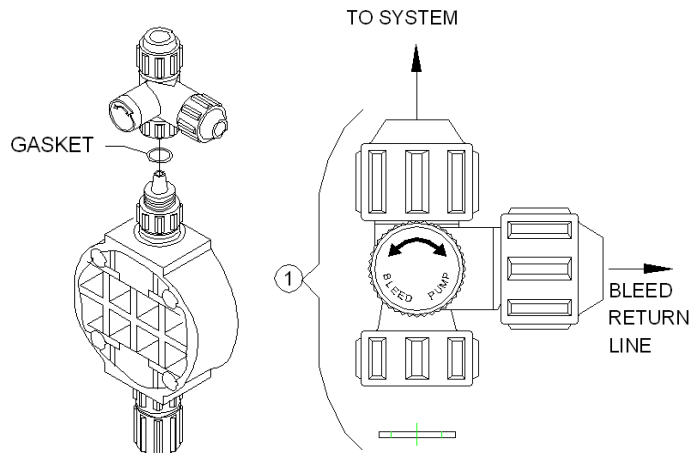


FIG. J



7. Return the system to operating conditions and reconnect the power to the pump.
The pump is now ready for priming and operation. Always use caution and check for leaks at newly assembled connections.

- **CURRENT INTERRUPTER: (optional)**

CURRENT INTERRUPTER ON/OFF CYCLE TIME

DIAL SET AT:	RUN TIME	OFF TIME
LOW SETTING	3-SECONDS ON	50-SECONDS OFF
#2 SETTING	5-SECONDS ON	20-SECONDS OFF
#3 SETTING	5-SECONDS ON	12-SECONDS OFF
#4 SETTING	7-SECONDS ON	9-SECONDS OFF
#5 SETTING	8-SECONDS ON	7-SECONDS OFF
#6 SETTING	11-SECONDS ON	6-SECONDS OFF
HI SETTING	CONTINUOUSLY ON	NO-OFF

Air Bleed Operation:

1. While pump is running, turn the bleed valve knob counter clockwise.
2. Run with valve open until a solid stream of fluid comes out of the bypass tubing (.38inch tubing supplied with valve)
3. Close air bleed valve by turning the bleed valve knob clockwise.

- **HAND TIGHTEN FITTINGS:**

When connecting tubing to suction and discharge fittings, the coupling nuts should be tightened hand tight only. Excessive tightening can cause cracks in pump head.

- **POINT OF INJECTION:**

Pipe corrosion can result if dilution at the injection point does not occur rapidly. This problem is easily prevented by observing this simple rule: install injection fitting so that the end is in the flow stream of the line being treated. **NOTE:** Extended injection assemblies are available for large water lines. Consult your dealer.

- **COMMON ERRORS IN THE INJECTION OF CHEMICALS:**

Do not insert the injection fitting into a pipe stub in the tee. A full strength solution will often cause corrosion or scale in the pipe stub when it is not in the flowing stream (Figure J). The maximum lift of the chemical feeder is five feet. Be sure not to exceed this height. **It is very important that the arrow on the fittings and the pump head point vertically upward in order to prevent backflow.** Arrows indicate the proper flow of the chemical.

POWER

The standard chemical feeder is available in 115 volt 60 cycle single phase. 230 volt 60 cycle and 230 volt 50 cycle single phase can also be made available upon request.

CAUTION Be sure the voltage of the feeder matches the power supply. (Figure M)

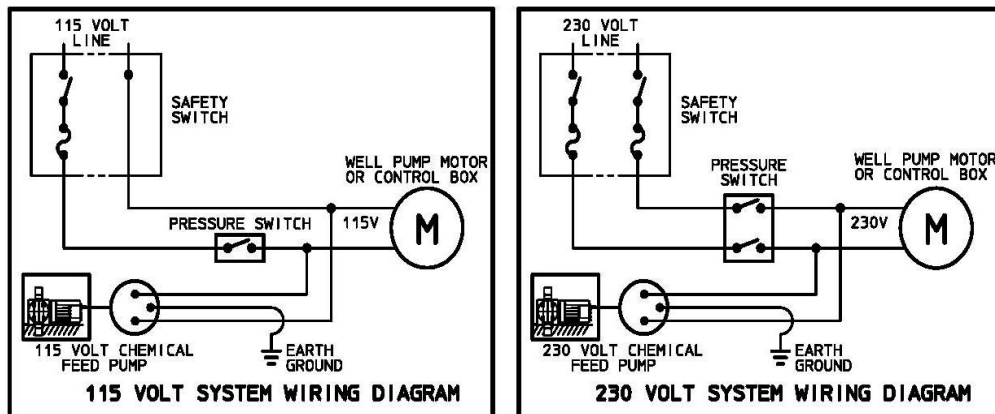


Figure M

When working on or around metering pump installation, protective gloves and safety glasses should be worn at all times.

▪ PRIMING

⚠ CAUTION All pumps are tested with water (e.g. sulfuric acid, polymer) the pump head should be removed and dried thoroughly along with the diaphragm and valve seats.

If the discharge line is connected directly to a pressurized system it should be temporarily bypassed during priming of the pump. This pump is equipped with a bleed valve to simplify this operation by allowing easy bypass of the discharge fluid. All air must be purged from the pump head before the pump will pump against pressure. Turn on the power to the pump. Loosen the locking lever by turning it counter-clockwise and turn the output adjusting knob counter-clockwise to full capacity, (one full turn only) then tighten the locking lever by turning clockwise to a hand tight position. Solution should be primed to the head within a few minutes. (Refer to Figure K)

Air Bleed Operation: A) While pump is running, turn adjustment screw counterclockwise. B) Run with valve open until a solid stream of fluid comes out of the bypass tubing (0.25 in (0.63 cm) ID x 0.38 in (0.96 cm) OD) supplied with valve, no air bubbles. C) Close air bleed valve by turning adjustment screw clockwise.

NOTE: The feeder is adjustable only while running; never force the output adjustment knob. Do not turn the adjustment knob while the pump is stopped. If the solution hasn't reached the head in a few minutes, disconnect power to the pump, make sure the system is depressurized, remove the discharge tubing and discharge fitting and dampen the discharge valve area (ball check and valve seats) with a few drops of solution being fed by the pump. For safety, use protective gloves and safety glasses and a proper container to hold chemical. Replace the fitting and tubing and restart the pump.

Turn the power on once more and adjust the pump to the proper rate, using the locking lever as before.

⚠ CAUTION When working on or around metering pump installation, protective gloves and safety glasses should be worn at all times.

⚠ CAUTION Check calibration of the pump before leaving the installation site. A test for chemical residual in the treated water is the best indication of the correct pump setting.

▪ MAINTENANCE:

▪ SCALE: GASKETS AND CHECK VALVES

When checking the metering pump or providing routine maintenance, replace all valve seats or ball checks if any of them show any wear or deterioration. (Valve seats should be checked approximately every 4-6 months depending upon the application.) Repeated deterioration of valve seats and other rubber or plastic parts within a few months period usually indicates another material should be used for the defective part. Contact your supplier or see the parts list for parts affected for possible alternate materials.

▪ OUTSIDE INSTALLATION:

In many areas where freezing conditions are not a problem it is common to install a metering pump outside. Adequate protection should be provided to keep the pump from being exposed to direct sunlight or rain. Any simple covering adequately ventilated will afford the necessary protection from weather. **NOTE:** When discharge tubing is exposed to direct sunlight, black polyethylene tubing should be used in lieu of the stiff white translucent tubing supplied with each pump.

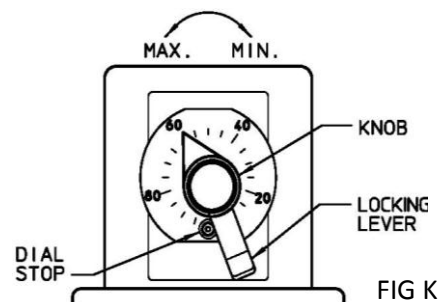
▪ SOLUTION TANK:

Check the solution tank for settling of chemicals. If there is sludge on the bottom of the solution tank, clean the strainer, the foot valve, and the solution tank. Installing the foot valve a few inches above the bottom of the tank will prevent future clogging. **NOTE: If the chemical being pumped regularly precipitates out of solution or does not dissolve easily or completely (calcium hydroxide), mixers are readily available in different motor configurations and mountings.**

▪ OUTPUT ADJUSTING KNOB:

Sometimes the output adjusting knob can move on its shaft and cause a false output indication. This can happen if the knob set-screw slips or if the unit is disassembled for any reason. The unit can be reset to "0" as follows:

1. Remove the dial stop.
2. With the pump running, loosen the locking lever and turn the adjusting knob counter-clockwise until it is "loose" to touch.
3. SLOWLY re-screw the knob clockwise, using very light finger pressure. It will soon start to advance in pulses as the internal cam comes in and out of contact.



- When light finger pressure will no longer allow movement of the knob between cam contacts, grasp the knob securely and tighten the locking lever (turning clockwise) making sure that the knob does not move. To check for zero point, turn on pump. There should be no liquid coming out of discharge fitting.
- Replace dial stop.
- If the pointer is not at "0", loosen the set-screw on the knob (use a .078 in Hex key), and turn pointer to "0", then retighten the set-screw while holding the knob in place.
- A setting of "0" will now give zero output. One full revolution of the knob counter clockwise will give maximum output. The knob should never be turned more than one full revolution.

SERVICING AND REPAIRS

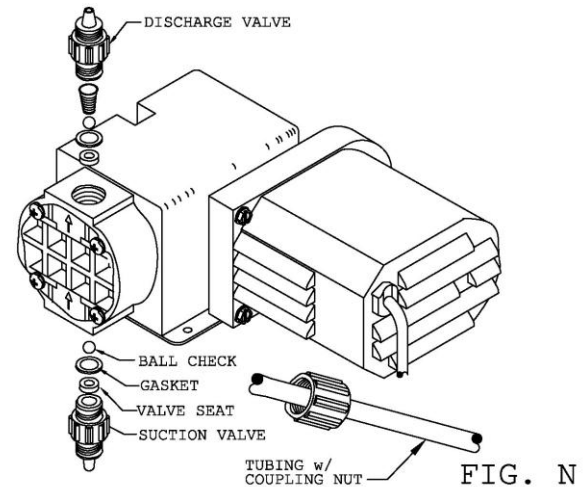
⚠ CAUTION REPLACEMENT OF PUMP HEAD ASSEMBLY OR DIAPHRAGM:

Before performing any repairs on Series 100/150 chemical feeders, be sure to disconnect all electrical connections and relieve pressure from suction/discharge tubing.

The Series 100/150 feeder was designed so that servicing can be quick and simple. Proper part replacement procedures are described below.

NOTE: Use protective gloves and safety glasses when working on or around chemical feeder.

- Disconnect the tubing. Remove the suction valve and discharge valve being careful not to lose the ball checks and any other small parts. (Figure N)
- Remove the four screws from the face of the head and remove the head.
- Remove the diaphragm by inserting one or two of the head bolts into the holes of the diaphragm and turning counter-clockwise. (Figure O)
- A new pump head or diaphragm should be installed if either is broken or cracked (see parts list at the end of this manual). The new pump head can be installed by going through the above steps in reverse.
- Be sure the drive bracket assembly is in the **fully retracted position** when installing the new diaphragm. Install the new diaphragm by screwing it in hand tight, then, back off one-fourth turn or until screw holes are lined up.
- Replace the head and the head screws, being certain the discharge fitting is up. NOTE: Arrow on outside of pump head should be in vertical position pointing upward. Tighten the head screws evenly and carefully to prevent cracking the head.
- Replace the suction and discharge fittings making sure all gaskets and valves are fitted properly. Do not use pipe tape or other sealants. **HAND TIGHTEN ONLY.** Restart the system as in the start up procedures (INSTALLATION).



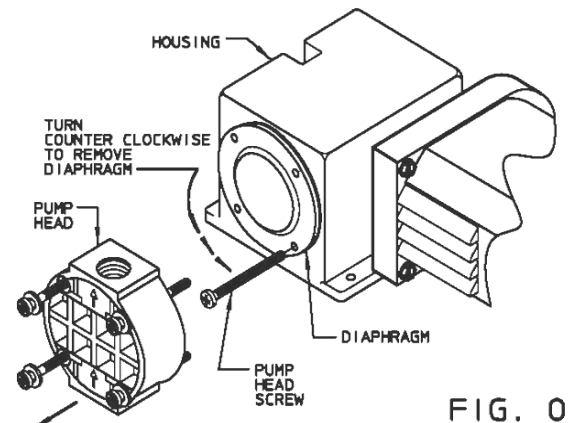
BALL CHECKS AND VALVE SEAT REPLACEMENT:

The following procedure is the same for any of the four valves.

Make sure all electrical connections are disconnected and pressure valves off.

NOTE: Use protective gloves and safety glasses while replacing parts.

- Unscrew compression nut and remove tubing.
- Unscrew check valve body from pump head, foot valve, or injection fitting.
- Remove all seats, ball checks, and gaskets and replace.
- Replace the check valve body so fitting makes contact with the gasket and the pump head, foot valve or injection fitting, whichever the case may be. **HAND-TIGHTEN FITTINGS ONLY.** Do not use pipe tape or other sealants on these threads.
- Re-install the tubing and tighten coupling nut **HAND TIGHT.**
- Restart the system as in the INSTALLATION PROCEDURES.



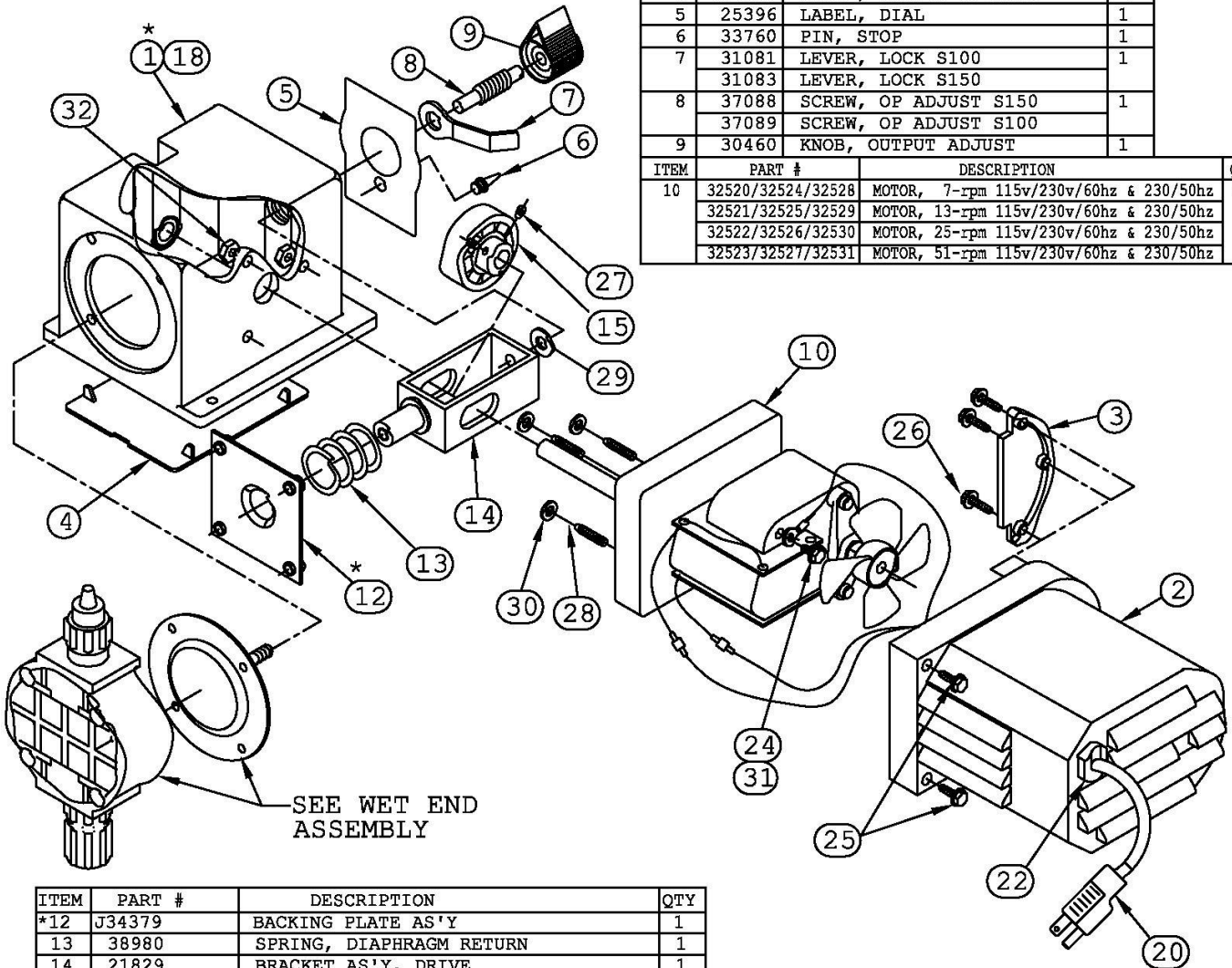
TROUBLESHOOTING

PROBLEM	PROBABLE CAUSE	REMEDY
LOSS OF CHEMICAL RESIDUAL	<ol style="list-style-type: none"> 1. Pump setting too low. 2. Scale at injection point 3. Solution container allowed to run dry 	<ol style="list-style-type: none"> 1. Adjust to higher setting (feeder must be operating during the stroke length adjustment). 2. Clean injection parts with 8% muriatic acid or undiluted vinegar. 3. Refill the tank with solution and prime. See Start-Up Section
TOO MUCH CHEMICAL	<ol style="list-style-type: none"> 1. Pump setting too high. 2. Chemical in solution tank too rich. 3. Siphoning of chemical into well or main line 	<ol style="list-style-type: none"> 1. Lower pump setting (pump must be operating to adjust the dial). 2. Dilute chemical solution. NOTE: For chemical that reacts with water, it may be necessary to purchase a more dilute grade of chemical direct from chemical supplier. 3. Test for suction or vacuum at the injection point. If suction exists, install an anti-siphon valve. See Figure G.
LEAKAGE AROUND TUBING CONNECTIONS	<ol style="list-style-type: none"> 1. Worn tube ends 2. Chemical attack 	<ol style="list-style-type: none"> 1. Cut off end of tubing (about 1") and then slip on as before or replace suction valve housing and compression fitting to prevent leakage. 2. Consult your chemical supplier for compatible materials.
FAILURE TO PUMP OR FEED	<ol style="list-style-type: none"> 1. Leak in suction side of pump. 2. Valve seats not sealing. 3. Low setting on pump. 4. Low solution level. 5. Diaphragm ruptured. 6. Pump head cracked or broken. 7. Pump head contains air or chlorine gas. 	<ol style="list-style-type: none"> 1. Examine suction tubing. If worn at the end, cut approximately an inch off and replace or replace valve body and coupling nut. 2. Clean valve seats if dirty or replace with proper material if deterioration is noted. 3. When pumping against pressure, the dial should be set above 40% maximum rated capacity for a reliable feed rate. 4. Solution must be above foot valve. 5. Replace diaphragm as shown in "Service" Section. Check for pressure above 100 PSI (7 BAR) at the injection point. NOTE: Chemical incompatibility with diaphragm material can cause diaphragm rupture and leakage around the pump head. 6. Replace pump head as shown in "Service" Section, Do not use pipe tape or other sealants. Make sure fittings hand tight only. Using pliers or wrench can crack pump head. Also, chemical incompatibility can cause cracking and subsequent leakage. 7. While pump is running, turn bleed valve adjustment screw counter-clockwise until air is purged. Close bleed valve.
PUMP LOSES PRIME	<ol style="list-style-type: none"> 1. Dirty check valve. 2. Ball checks not seating or not sealing properly. 3. Solution container allowed to run dry 	<ol style="list-style-type: none"> 1. Remove and replace or clean off any scale or sediment. 2. Check seat and ball checks for chips, clean gently. If deformity or deterioration is noted, replace part with proper material. Chemical crystallization can hold check valves open, therefore the valves must be disassembled and cleaned. Be sure to replace all parts as shown in the Parts Diagram (at the end of the manual). 3. Refill the tank with solution and prime.
LEAKAGE AT FITTING	<ol style="list-style-type: none"> 1. Loose fittings 2. Broken or twisted gasket 3. Chemical attack 	<ol style="list-style-type: none"> 1. All fittings can be hand tightened to prevent leakage. Clean off chemicals which have spilled on pump. 2. Check gaskets and replace if broken or damaged. 3. Consult your chemical supplier for compatible materials.
PUMP WILL NOT PRIME	<ol style="list-style-type: none"> 1. Too much pressure at discharge 2. Check valves not sealing 3. Output dial not set at maximum 	<ol style="list-style-type: none"> 1. Open bleed valve and circulate fluid until all air is purged from pump head assembly. Close bleed valve. 2. Disassemble, loosen, clean and check for deterioration or swelling. Reassemble and wet the valve assembly, then prime. See INSTALLATION Section. 3. Always prime pump with output dial set at maximum rated capacity.
ANTI-SIPHON VALVE MALFUNCTION	<ol style="list-style-type: none"> 1. Scale or particles have plugged diaphragm 2. Ruptured valves 	<ol style="list-style-type: none"> 1. Remove, clean and reassemble, being careful not to wrinkle the diaphragm. Check sequence and position of parts to be sure reassembly is correct. 2. Consult your distributor for replacement.
PUMP MOTOR STALLS	<ol style="list-style-type: none"> 1. Pumping against excessive pressure 2. Low voltage to pump 	<ol style="list-style-type: none"> 1. Test pressure to determine if it exceeds pump specifications. If so, consult your distributor. 2. Make sure voltage of power source matches the voltage on the pump specifications label. If not transformers are available.
MOTOR RUNNING VERY HOT	<ol style="list-style-type: none"> 1. Low voltage. 2. If using a step-down transformer, it may be undersized for the pump 	<ol style="list-style-type: none"> 1. Power supply voltage should match voltage on pump specification label. 2. Check the transformer to be sure it has at least 100 watts capacity.

SERIES 100/150 DRIVE ASSEMBLY

ITEM	PART #	DESCRIPTION	QTY
* 1	J30496	HOUSING, S100 3,7,15,30-gpd	1
	J30497	HOUSING, S100 24-gpd	
	J30498	HOUSING, S150 68, 100-gpd	
2	25180	COVER, MOTOR	1
	J25212	COVER, MOTOR CE (EURO)	
3	34405	PLATE, COVER MOTOR	1
4	J34449	PLATE, BOTTOM HOUSING	1
5	25396	LABEL, DIAL	1
6	33760	PIN, STOP	1
	31081	LEVER, LOCK S100	
7	31083	LEVER, LOCK S150	1
	37088	SCREW, OP ADJUST S150	
8	37089	SCREW, OP ADJUST S100	1
	30460	KNOB, OUTPUT ADJUST	

ITEM	PART #	DESCRIPTION	QTY
10	32520/32524/32528	MOTOR, 7-rpm 115v/230v/60hz & 230/50hz	1
	32521/32525/32529	MOTOR, 13-rpm 115v/230v/60hz & 230/50hz	
	32522/32526/32530	MOTOR, 25-rpm 115v/230v/60hz & 230/50hz	
	32523/32527/32531	MOTOR, 51-rpm 115v/230v/60hz & 230/50hz	



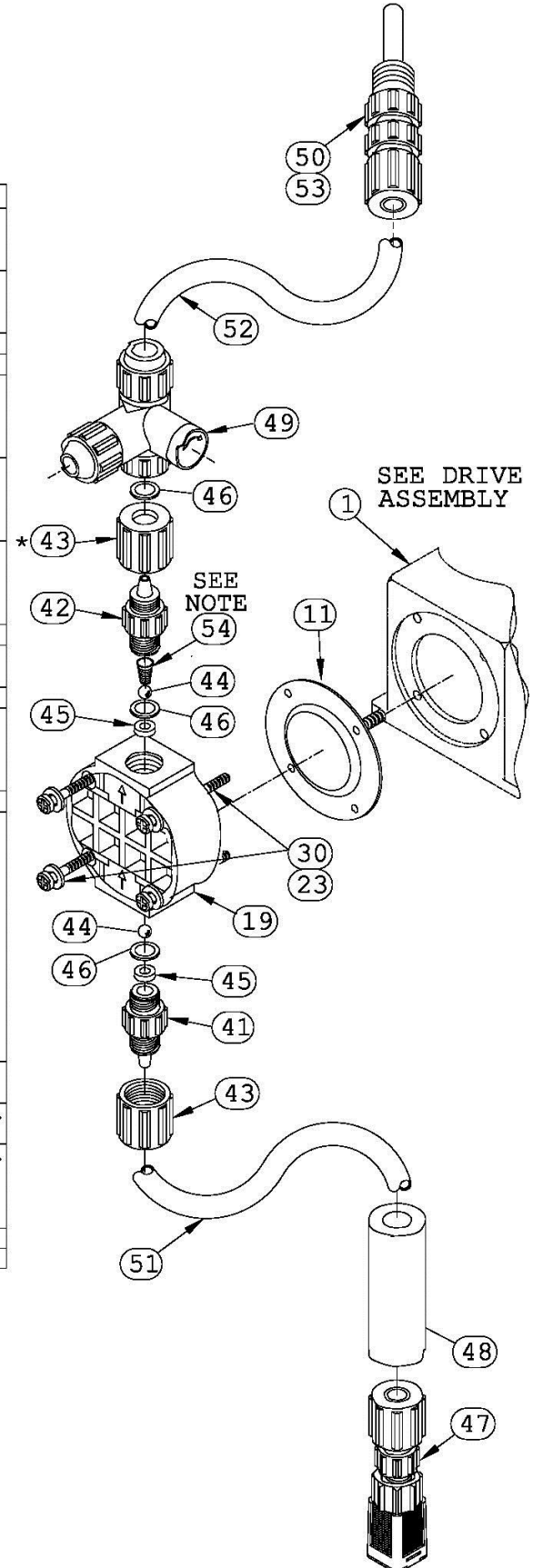
ITEM	PART #	DESCRIPTION	QTY
*12	J34379	BACKING PLATE AS'Y	1
13	38980	SPRING, DIAPHRAGM RETURN	1
14	21829	BRACKET AS'Y, DRIVE	1
15	22255	CAM/BEARING AS'Y, S100 3,7,15,30-gpd	1
	22256	CAM/BEARING AS'Y, S100 24-gpd	
	22257	CAM/BEARING AS'Y, S150 68, 100-gpd	
*18	20850	BEARING, NEEDLE	1
20	24820	CORD, 6ft. 115vAC	1
	24821	CORD, 6ft. 230vAC	
	J24829	CORD, 6ft. 230vAC/CE (EURO)	
22	L9900700-000	CONNECTOR, STRAIN RELIEF	1
24	37031	SCREW, #8-AB x .38in.-lg. H.W.HD	1
25	37032	SCREW, #8-B x .44in.-lg. H.W.HD	2
26	J37033	SCREW, #8-B x .50in.-lg. H.W.HD	3
27	37047	SCREW, SET 10-32 x .25in.-lg.	2
28	37049	SCREW, SET 10-32 x .75in.-lg.	3
29	42041	WASHER (STL), .26in.-I.D.	1
30	J42020	WASHER (STL), #10	3
31	42045	WASHER (STL), #8 EXT. RH LOCK	1
32	L9800600-STL	NUT, #10-32 HEX	3

* = ITEMS INCLUDED IN HOUSING ITEM #1.

SERIES 100/150 WETEND ASSEMBLY

ITEM	PART #	DESCRIPTION	QTY
11	25704	DIAPHRAGM(HYP) AS'Y	1
	25706	DIAPHRAGM(VIT) AS'Y	
	25707	DIAPHRAGM(TFE) AS'Y	
19	28800	HEAD(SAN-ACRYLIC), PUMP	1
	J28801	HEAD(PVC), PUMP	
	28803	HEAD(FPP), PUMP	
23	J37005	SCREW(SST), #10-24 x 2in.-lg. PHP	4
30	J42020	WASHER(STL), #10-FLAT	4
41	J41548	BODY(PVC), SUCTION VALVE Ø.5in.-TUBE	1
	41549	BODY(FPP), SUCTION VALVE Ø.5in.-TUBE	
	41551	BODY(PVC), SUCTION VALVE Ø.38in.-TUBE	
	41552	BODY(FPP), SUCTION VALVE Ø.38in.-TUBE	
42	J41540	BODY(PVC), DISCHARGE VALVE Ø.5in.-TUBE	1
	41541	BODY(FPP), DISCHARGE VALVE Ø.5in.-TUBE	
	41543	BODY(PVC), DISCHARGE VALVE Ø.38in.-TUBE	
	41544	BODY(FPP), DISCHARGE VALVE Ø.38in.-TUBE	
43*	J24960	NUT(PVC), COUPLING Ø.50in.-TUBE STD.	2
	24961	NUT(FPP), COUPLING Ø.50in.-TUBE	
	24963	NUT(PVC), COUPLING Ø.38in.-TUBE	
	24964	NUT(FPP), COUPLING Ø.38in.-TUBE	
44	J20560	BALL(CER), Inq command	
45	J37440	SEAT(HYP), VALVE	2
	J37442	SEAT(VIT), VALVE	
46	J27903	GASKET(TFE)	2-3
47	J60717	STRAINER AS'Y/FOOT VALVE (PVDF/HYP/C/Ø.38	1
	J60718	STRAINER AS'Y/FOOT VALVE (PVDF/VTN/C/Ø.38	
	J60729	STRAINER AS'Y/FOOT VALVE (PVDF/HYP/C/Ø.50	
	J60730	STRAINER AS'Y/FOOT VALVE (PVDF/VTN/C/Ø.50	
48	L9906700-000	WEIGHT(CER), STRAINER	1
49	J30507	KIT, BLEED VALVE PVC/HYP/Ø.38in.-TUBE	1
	J30509	KIT, BLEED VALVE PVC/VTN/ "	
	J30510	KIT, BLEED VALVE PVC/TFE/ "	
	J30511	KIT, BLEED VALVE FPP/HYP/ "	
	J30513	KIT, BLEED VALVE FPP/VTN/ "	
	J30514	KIT, BLEED VALVE FPP/TFE/ "	
	J30515	KIT, BLEED VALVE PVC/HYP/Ø.50in.-TUBE	
	J30517	KIT, BLEED VALVE PVC/VTN/ "	
	J30518	KIT, BLEED VALVE PVC/TFE/ "	
	J30519	KIT, BLEED VALVE FPP/HYP/ "	
	J30521	KIT, BLEED VALVE FPP/VTN/ "	
	J30522	KIT, BLEED VALVE FPP/TFE/ "	
50	41693	INJECTION FITTING PVC/HYP/C Ø.38in.-T	1
	J41694	INJECTION FITTING PVC/HYP/C Ø.50in.-T	
51	00006	SUCTION TUBING(PVC) Ø.44in.-O.D.	4-ft.
	00007	SUCTION TUBING(PVC) Ø.38in.-O.D.	
52	00008	DISCHARGE TUBING(PE-WHT) Ø.50in.-O.D.	8-ft.
	00009	DISCHARGE TUBING(PE-BLK) Ø.50in.-O.D.	
	00010	DISCHARGE TUBING(PE-WHT) Ø.38in.-O.D.	
	00011	DISCHARGE TUBING(PE-BLK) Ø.38in.-O.D.	
53	J39010	SPRING, INJECTION BACKCHECK(not shown)	1
54	J38985	SPRING(HCO),HEAVY S100/2/3/INJ(SEE NOTE)	1

* NOT USED WITH BLEED VALVE.
(NOTE: X003 AND X007 ONLY)



4. Connect the return tubing to the degas valve on the top of the pump head.
5. Secure the other end of the degas return tubing to the top of the solution tank above the level of the chemical.

TIP: For best results, insure the strainer / tubing hangs vertically and is as short as possible with the strainer near the bottom of the solution tank but above any sediment, see figure 1.

DEGASSING HEAD, FLOODED SUCTION INSTALLATION (NOT RECOMMENDED)

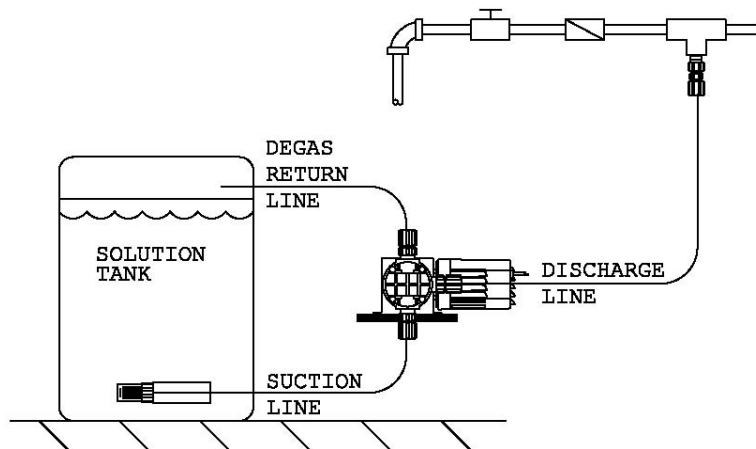


Figure 2

CONVERTING AN EXISTING PUMP TO A DEGASSING HEAD

1. Disconnect the suction, discharge and return tubing (if applicable) from the existing pump head.
2. Remove the four head screws / washers from the pump head. Remove the head assembly from the pump.
3. Place the degassing pump head assembly on the pump with the head arrow pointing up.
4. Reinstall the four head screw / washers. Tighten the screws evenly in a crisscross pattern until they are hand tight (18-22 in/lbs. (8-10kg)).

NOTE: Although not included, bleed valve may still be used on discharge valve for convenient manual pressure relief and drain of discharge line.

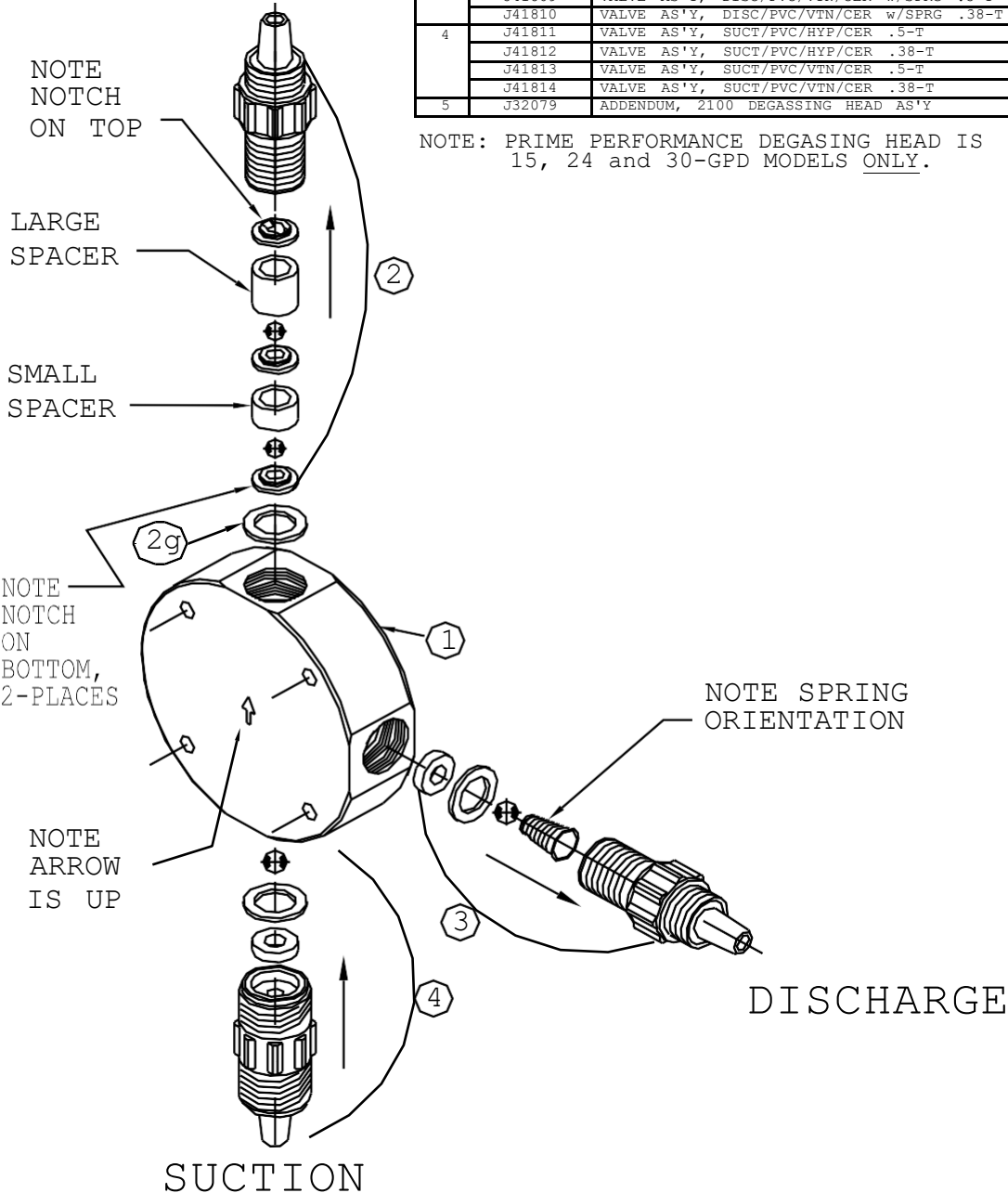
PRIMING THE PUMP

1. Turn on the power to the pump.
2. Adjust the stroke length to 100%.
3. At this point, the pump will automatically purge the air from the pump head via the degas valve. Once the fluid starts pumping out of the discharge line, re-adjust the pump flow to the desired rate.

PRIME PERFORMANCE DEGASSING HEAD AS'Y

ITEM	PART #	PART DESCRIPTION	QTY	QTY	QTY	QTY
AS'Y	J60176	HEAD AS'Y, S100 DEGAS HYP.5in.-T 15,24,30	REF	-	-	-
AS'Y	J60178	HEAD AS'Y, S100 DEGAS HYP.38in.-T 15,24,30	-	REF	-	-
AS'Y	J60180	HEAD AS'Y, S100 DEGAS VTN.5in.-T 15,24,30	-	-	REF	-
AS'Y	J60182	HEAD AS'Y, S100 DEGAS VTN.38in.-T 15,24,30	-	-	-	REF
1	J28869	HEAD(PVC), S100 DEGAS MOLDED	1	1	1	1
2	J41805	VLV AS'Y, DEGAS PVC/TFE/CER, .50in.	REF	--	REF	--
	J41806	VLV AS'Y, DEGAS PVC/TFE/CER, .38in.	--	REF	--	REF
3	J41807	VALVE AS'Y, DISC/PVC/HYP/CER w/SPRG .5-T	REF	--	--	--
	J41808	VALVE AS'Y, DISC/PVC/HYP/CER w/SPRG .38-T	--	REF	--	--
	J41809	VALVE AS'Y, DISC/PVC/VTN/CER w/SPRG .5-T	--	--	REF	--
	J41810	VALVE AS'Y, DISC/PVC/VTN/CER w/SPRG .38-T	--	--	--	REF
4	J41811	VALVE AS'Y, SUCT/PVC/HYP/CER .5-T	REF	--	--	--
	J41812	VALVE AS'Y, SUCT/PVC/HYP/CER .38-T	--	REF	--	--
	J41813	VALVE AS'Y, SUCT/PVC/VTN/CER .5-T	--	--	REF	--
	J41814	VALVE AS'Y, SUCT/PVC/VTN/CER .38-T	--	--	--	REF
5	J32079	ADDENDUM, 2100 DEGASSING HEAD AS'Y	1	1	1	1

DEGAS
RETURN



NOTE: PRIME PERFORMANCE DEGASSING HEAD IS FOR USE ON 15, 24 and 30-GPD MODELS ONLY.