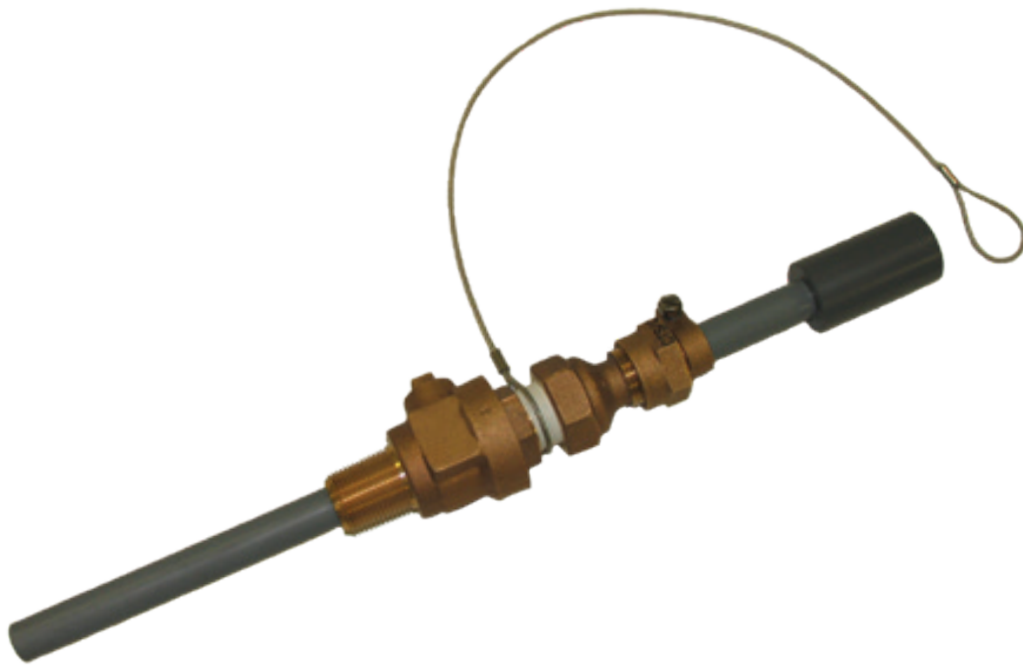


CORPORATION STOP ASSEMBLY

Pulsafeeder's Corporation Stop Nozzle Assemblies are supplied in sizes .75in. and 1.0in., and are available in both NPT (male) and AWWA (male) pipe connection. Reduced Lead Compliant Corporation Stops adhere to the Reduction of Lead in Drinking Water Act used in contact with potable water.

Corporation Stops provide two distinct advantages over a simple tap connection into large main pipes:

1. The nozzle may be extended for injection near the center of a large main for more effective chemical dispersion.
2. The nozzle assembly may be withdrawn and the corporation stop closed without interrupting the use of the main.



FEATURES

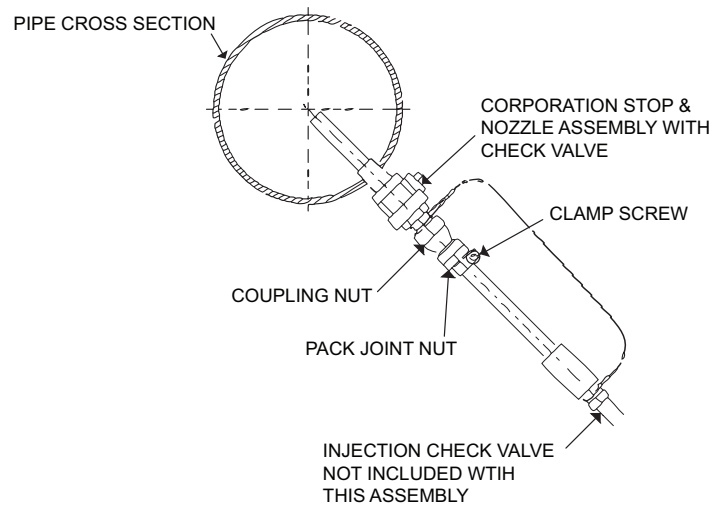
- PVC or CPVC Nozzles
- Reduced Lead Compliant Corporation Stop
- 150 PSI (10 BAR) Maximum Pressure
- 7 3/4" (196mm) Nozzle Insertion Depth
- Stainless Steel Safety Cable
- Available in NPT and AWWA pipe connections
- Injection near the center of a large main for more effective chemical dispersion
- Withdraw the nozzle assembly and close the corporation stop without interrupting the use of the main

AFTERMARKET

- Water Meters
- Gauges
- Dampeners
- Pressure Relief Valves
- KOPkits
- Tanks

MODEL SELECTION

Corporation Stops - Reduced Lead Compliant		
Part Number	Thread	Description
J61462-LF	3/4" AWWA	w/ PVC Nozzle Assy
J61135-LF	3/4" NPT	
J61136-LF	1" AWWA	
J61191-LF	1" NPT	
J61462-C-LF	3/4" AWWA	w/ CPVC Nozzle Assy
J61135-C-LF	3/4" NPT	
J61136-C-LF	1" AWWA	
J61191-C-LF	1" NPT	



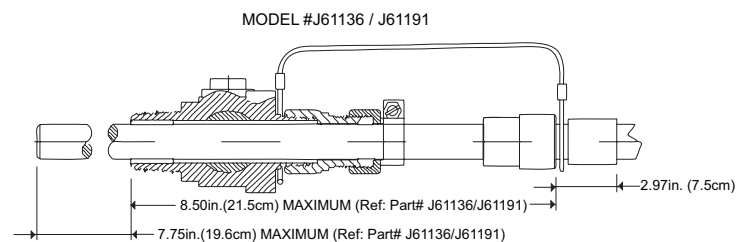
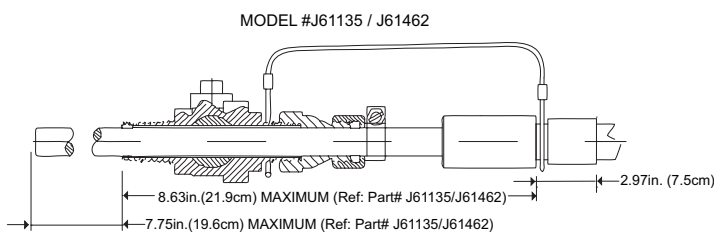
ENGINEERING DATA

J61462-LF, J61462-C-LF		
PSI	150 PSI Maximum	
Injection Pipe		
Diameter	.38 in (9.5 mm)	
Length	18 in.	
Injection Valve Connection	.5 NPT (female)	
Connection to Main	.75 AWWA (male)	
J61462-LF Material	PVC	
J61462-C-LF Material	CPVC	
J61335-LF, J61335-C-LF		
PSI	150 PSI Maximum	
Injection Pipe		
Diameter	.38 in (9.5 mm)	
Length	7.5 in.	
Injection Valve Connection	.5 NPT (female)	
Connection to Main	.75 NPT (male)	
J61462-LF Material	PVC	
J61462-C_LF	CPVC	

ENGINEERING DATA

J61336-LF, J61336-C-LF		
PSI	150 PSI Maximum	
Injection Pipe		
Diameter	.50 in (12.7 mm)	
Length	7.5 in.	
Injection Valve Connection	.5 NPT (female)	
Connection to Main	1.0 AWWA (male)	
J61462-LF Material	PVC	
J61462-C-LF Material	CPVC	
J61191-LF, J61191-C-LF		
PSI	150 PSI Maximum	
Injection Pipe		
Diameter	.50 in (12.7 mm)	
Length	7.5 in.	
Injection Valve Connection	.5 NPT (female)	
Connection to Main	1.0 NPT (male)	
J61462-LF Material	PVC	
J61462-C_LF	CPVC	

DRAWING



27101 Airport Road
Punta Gorda, FL 33982
Tel: (941) 575-3800
www.pulsafeeder.com



An ISO Certified Company



CSA001 G24