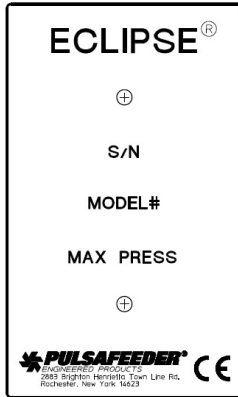


E02 / EH02 Eclipse Pump Non-metallic

Pump Nameplate



Eclipse Model Structure

| | | | | | | | |
|---|-----|---|---|---|---|---|---|
| 1 | 2/3 | 4 | 5 | 6 | 7 | 8 | 9 |
| E | 02 | | | | | - | |

Pump Model Identification

| Position | Code | Specifies | Options |
|--------------------------|-------------------|------------------|--------------------------------------|
| 1 | E | Model | E- Eclipse |
| | EH | | EH- Eclipse Hypo |
| 2 and 3 | 2 | Pump Size | 02 – Max. Capacity .45 gpm (1.7 lpm) |
| 4 | K,M | Housing Material | K – PVDF, FNPT |
| | | | M – PVDF, BSPT |
| 5 | L,B | Bearings | L – Carbon |
| | | | B – Silicon Carbide |
| 6 | V,E,K | O-rings | V – Viton |
| | | | E – EPDM |
| | | | K – Perfluorelastomer |
| 7 | F,O,H | Motor | F – NEMA 56C |
| | | J,K | Mounting |
| | H – IEC 63 B3/B14 | | |
| | J – IEC 71 B3/B14 | | |
| | K – IEC 80 B3/B14 | | |
| Y- NO MOTOR MOUNTING KIT | | | |
| 8 | - | Dash | |

Pump Model Identification - Continued

| Position | Code | Specifies | Options |
|----------|--------|-----------|--|
| 9 | X, N | Options | X - Ceramic shafts and Teflon gears |
| | X-ATEX | | N - Pump Wet end only X-ATEX -Standard Pump with ATEX Directive - CE Ex II 2G T6 II 2D T6 |
| | N-ATEX | | N- ATEX - Wet End Only with ATEX Directive - CE Ex II 2G T6 II 2D T6 |

KOPkit Part Number Identification

Eclipse KOP kit Structure

| | | | | | |
|---|-----|---|---|---|--------|
| 1 | 2/3 | 4 | 5 | 6 | Suffix |
| E | 02 | | | | - |

| Position | Code | Specifies | Options |
|----------|-------------------|------------------|--|
| 1 | E EH | Model | E – Eclipse E – Eclipse Hypo |
| 2 and 3 | 02 | Pump Size | 02 – Max. Capacity 0.45 gpm (1.7 lpm) |
| 4 | X | Housing Material | X – All Non-Metallic pumps |
| 5 | B L | Bearings | B – Silicon Carbide L – Carbon |
| 6 | V, E, K | O-rings | V – Viton E – EPDM K – Perfluorelastomer |
| Suffix | LTE STD PRO | | |

KOPKit Suffix Selection Bills of Material

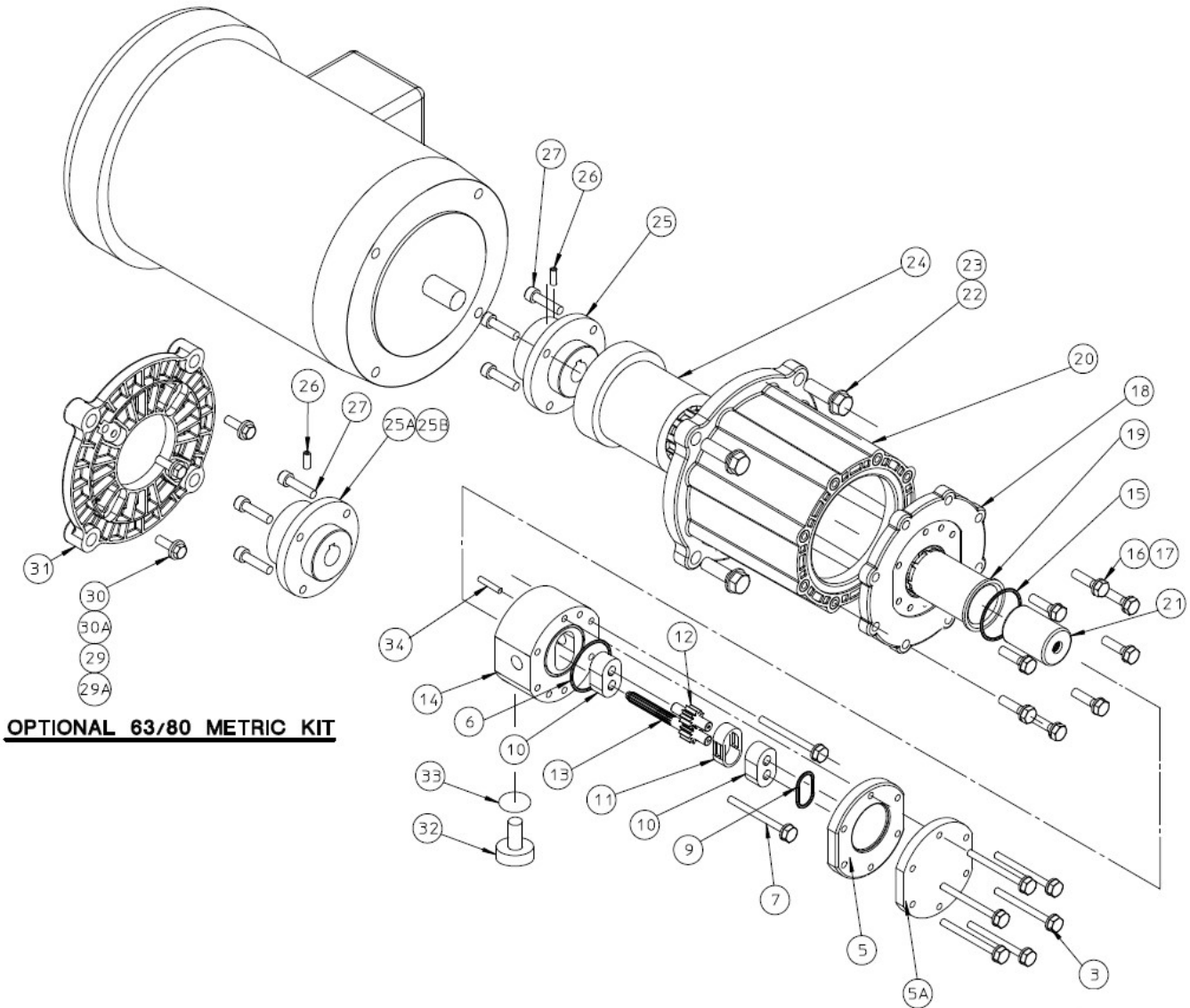
(Select one option)

| | Description | Item | Qty |
|------|----------------------|------|-----|
| -LTE | Liner, Housing | 11 | 1 |
| | Gear Assembly, Drive | 13 | 1 |
| | Gear Assembly, Idler | 12 | 1 |
| | O-ring Cover | 6 | 1 |

| | Description | Item | Qty |
|------|----------------------|------|-----|
| -STD | Bearing | 10 | 2 |
| | Liner, Housing | 11 | 1 |
| | Gear Assembly, Drive | 13 | 1 |
| | Gear Assembly, Idler | 12 | 1 |
| | O-ring Cover | 6 | 1 |
| | O-ring Compression | 9 | 2 |

| | Description | Item | Qty |
|------|----------------------|------|-----|
| -PRO | Bearing | 10 | 2 |
| | Liner, Housing | 11 | 1 |
| | Gear Assembly, Drive | 13 | 1 |
| | Gear Assembly, Idler | 12 | 1 |
| | O-ring Cover | 6 | 1 |
| | O-ring Compression | 9 | 2 |
| | Bolt | 16 | 6 |

Parts Diagram and List, Eclipse 02 Non-metallic



Eclipse Pump Series Size 02 Non-Metallic

Consolidated Bill of Material

Position 1,2,3,4 – Pump Housing Material/Ports

Position 4 Base Pump Material and Port Connection PVDF (K or M)

| E02 | Description | Item | Part Number | Material | Qty |
|--------------|----------------------------|------|--------------|--------------------|-----|
| Common Parts | Screw | 3 | W770612-188 | Stainless Steel | 6 |
| | Screw | 7 | W770611-188 | Stainless Steel | 2 |
| | Name Plate | 1 | NG550003-304 | Stainless Steel | 1 |
| | Can, Containment | 19 | NG210004-PVD | Carbon-filled PVDF | 1 |
| | Driven Magnet Assembly | 21 | NG200030-TEF | Neo / ETFE | 1 |
| | Drive Magnet | 24 | NG200034-STL | Neo / Steel | 1 |
| | Plate, Cover Reinforcement | 5A | NG120011-188 | Stainless Steel | 1 |
| | Adapter, Spool | 20 | NG110010-PET | Polyester | 1 |
| | Adapter, Can | 18 | NG110012-188 | Stainless Steel | 1 |
| | Bolt | 16 | W770403-188 | Stainless Steel | 8 |
| | Washer | 17 | NG990018-188 | Stainless Steel | 8 |
| | Plug, Drain | 32 | NG990014-FTE | ETFE | 1 |
| | Roll Pin | 34 | W771206-002 | Steel | 1 |
| | Cover, Front | 5 | NG020001-CTF | Carbon-filled PTFE | 1 |
| K | Housing, Center FNPT | 14 | NG040019-CTF | Carbon-filled PTFE | 1 |
| M | Housing, Center FBSPT | | NG040020-CTF | Carbon-filled PTFE | 1 |

Position 5 - Bearing Materials

| | Description | Item | Part Number | Material | Qty |
|--------------|----------------------|------|--------------|-----------------|-----|
| Common Parts | Liner, Housing | 11 | NG220002-FTE | ETFE | 1 |
| | Gear Assembly, Drive | 13 | NG010014-FTE | ETFE / ALA | 1 |
| | Gear Assembly, Idler | 12 | NG010013-FTE | ETFE / ALA | 1 |
| L | Bearing | 10 | NG080001-CBN | Carbon-92 | 2 |
| B | Bearing | | NG080001-SIC | Silicon Carbide | 2 |

Position 6 - O-ring Material Selection

| | Description | Item | Part Number | Material | Qty |
|---|------------------------|------|--------------|-------------------|-----|
| V | O-ring Containment Can | 15 | W078452-VTN | Viton A | 1 |
| | O-ring Cover | 6 | W078452-VTN | Viton A | 1 |
| | O-ring Compression | 9 | NP440020-VTN | Viton A | 1 |
| | O-ring Drain Plug | 33 | W059100-VTN | Viton A | 1 |
| E | O-ring Containment Can | 15 | W078452-NOR | EPDM | 1 |
| | O-ring Cover | 6 | W078452-NOR | EPDM | 1 |
| | O-ring Compression | 9 | NG440020-NOR | EPDM | 1 |
| | O-ring Drain Plug | 33 | W059100-NOR | EPDM | 1 |
| K | O-ring Containment Can | 15 | NG440029-KLZ | Perfluorelastomer | 1 |
| | O-ring Cover | 6 | NG440029-KLZ | Perfluorelastomer | 1 |
| | O-ring Compression | 9 | NG440020-KLZ | Perfluorelastomer | 1 |
| | O-ring Drain Plug | 33 | NG440012-KLZ | Perfluorelastomer | 1 |

Position 7 - NEMA C-Face and IEC B34 Metric Frame Magnetic Coupling Arrangement 56C NEMA frame components

| | Description | Item | Part Number | Material | Qty |
|-------------------|--------------|------|--------------|-----------------|-----|
| F | Coupling Hub | 25 | NG940002-STL | Steel | 1 |
| | Set Screw | 26 | W771004-031 | Steel | 1 |
| | Bolt | 22 | W770425-188 | Stainless Steel | 4 |
| | Washer | 23 | NG990019-188 | Stainless Steel | 4 |
| | Screw | 27 | W770021-188 | Stainless Steel | 4 |
| Motor Mount Kit # | E02XXXF | | | | |

**Position 7 - NEMA C-Face and IEC B34 Metric Frame Magnetic Coupling Arrangement
- Continued**

143TC-182C NEMA frame components

| | Description | Item | Part Number | Material | Qty |
|--------------------------|----------------|------|--------------|-----------------|-----|
| O | Coupling Hub | 25 | NG940003-STL | Steel | 1 |
| | Set Screw | 26 | W771004-031 | Steel | 1 |
| | Bolt | 22 | W770425-188 | Stainless Steel | 4 |
| | Washer | 23 | NG990019-188 | Stainless Steel | 4 |
| | Screw | 27 | W770021-188 | Stainless Steel | 4 |
| Motor Mount Kit # | E02XXXO | | | | |

63 IEC B34 frame components

| | Description | Item | Part Number | Material | Qty |
|--------------------------|----------------|------|--------------|-----------------|-----|
| H | Coupling Hub | 25A | NG940004-STL | Steel | 1 |
| | Set Screw | 26A | NP991004-017 | Steel | 1 |
| | Adapter, Motor | 31 | NG110005-PET | Polyester | 1 |
| | Bolt | 29 | NP990418-188 | Stainless Steel | 4 |
| | Washer | 30 | NP991016-188 | Stainless Steel | 4 |
| | Bolt | 22 | W770426-188 | Stainless Steel | 4 |
| | Washer | 23 | NG990019-188 | Stainless Steel | 4 |
| | Screw | 27 | W770021-188 | Stainless Steel | 4 |
| Motor Mount Kit # | E02XXXH | | | | |

71 IEC B34 frame components

| | Description | Item | Part Number | Material | Qty |
|----------|--------------------------|----------------|--------------|-----------------|-----|
| J | Coupling Hub | 25A | NG940011-STL | Steel | 1 |
| | Set Screw | 26A | NG990027-188 | Steel | 1 |
| | Adapter, Motor | 31 | NG110019-ALU | Aluminum | 1 |
| | Bolt | 29 | W770546-188 | Stainless Steel | 4 |
| | Bolt | 22 | W770425-188 | Stainless Steel | 4 |
| | Washer | 23 | NG990019-188 | Stainless Steel | 4 |
| | Screw | 27 | W770021-188 | Stainless Steel | 4 |
| | Motor Mount Kit # | E02XXXJ | | | |

80 IEC B34 frame components

| | Description | Item | Part Number | Material | Qty |
|--------------------------|----------------|------|--------------|-----------------|-----|
| K | Coupling Hub | 25B | NG940005-STL | Steel | 1 |
| | Set Screw | 26B | NP991004-001 | Steel | 1 |
| | Adapter, Motor | 31 | NG110005-PET | Polyester | 1 |
| | Bolt | 29A | W770546-188 | Stainless Steel | 4 |
| | Washer | 30A | NP991017-188 | Stainless Steel | 4 |
| | Bolt | 22 | W770426-188 | Stainless Steel | 4 |
| | Washer | 23 | NG990019-188 | Stainless Steel | 4 |
| | Screw | 27 | W770021-188 | Stainless Steel | 4 |
| Motor Mount Kit # | E02XXXK | | | | |

KOPKit Suffix Selection Bills of Material
(Select one option)

| | Description | Item | Qty |
|-------------|----------------------|------|-----|
| -LTE | Liner, Housing | 11 | 1 |
| | Gear Assembly, Drive | 13 | 1 |
| | Gear Assembly, Liner | 12 | 1 |
| | O-ring Cover | 6 | 1 |

| | Description | Item | Qty |
|-------------|----------------------|------|-----|
| -STD | Bearing | 10 | 2 |
| | Liner, Housing | 11 | 1 |
| | Gear Assembly, Drive | 13 | 1 |
| | Gear Assembly, Liner | 12 | 1 |
| | O-ring Cover | 6 | 1 |
| | O-ring Compression | 9 | 2 |

| | Description | Item | Qty |
|-------------|----------------------|------|-----|
| -PRO | Bearing | 10 | 2 |
| | Liner, Housing | 11 | 1 |
| | Gear Assembly, Drive | 13 | 1 |
| | Gear Assembly, Liner | 12 | 1 |
| | O-ring Cover | 6 | 1 |
| | O-ring Compression | 9 | 2 |
| | Bolt | 16 | 6 |

REVISION CONTROL

| REV. | DATE | DESCRIPTION OF CHANGE(s) | APPROVAL |
|------|---------|--|----------|
| 3 | 6/27/22 | Change Oring from Kalrez to Perflourelastomer. | JM |
| | | | |
| | | | |