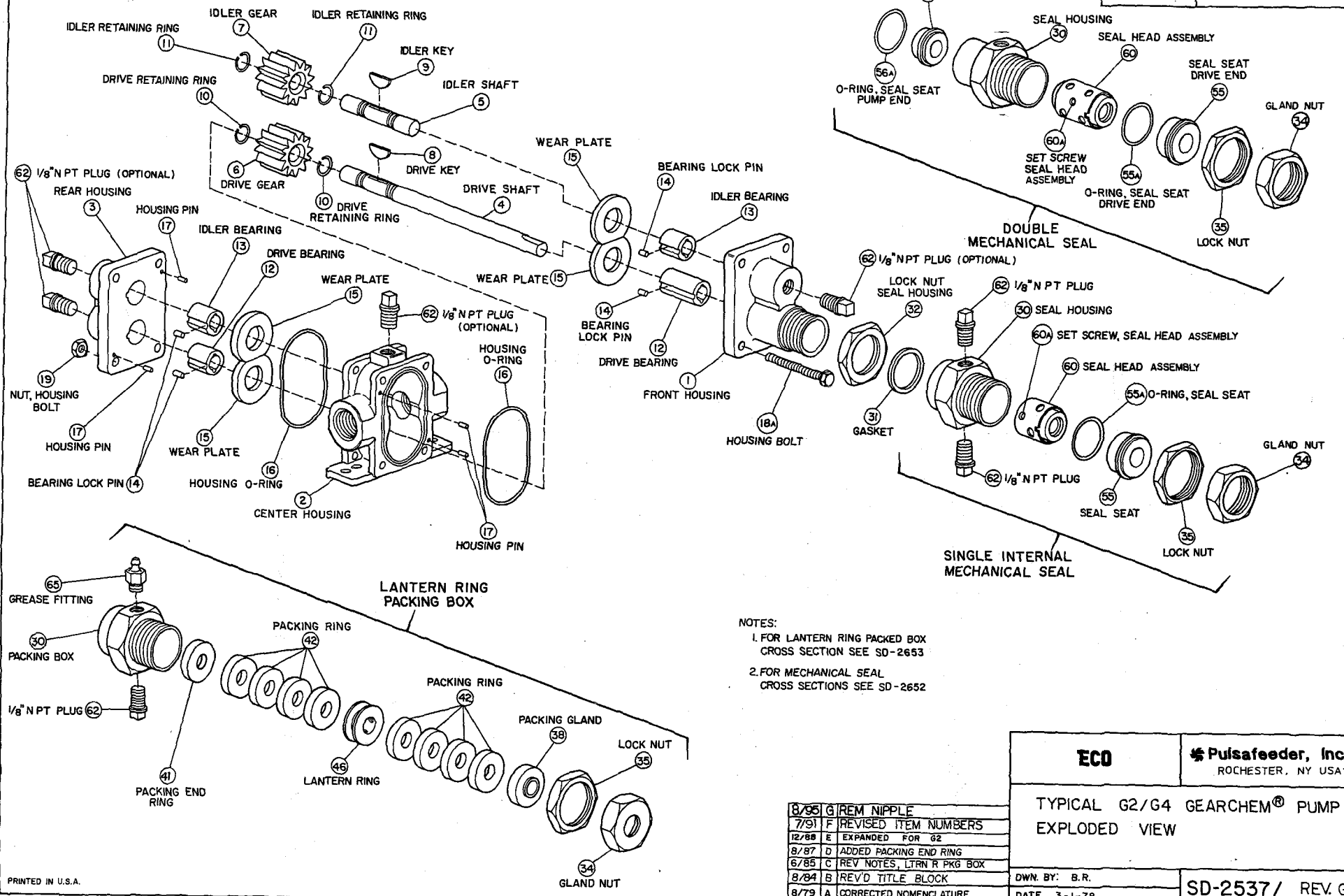


SECTION/PAGE	C/2200
EFFECTIVE	02/01/96
SUPERSEDES	I-93 REV.F

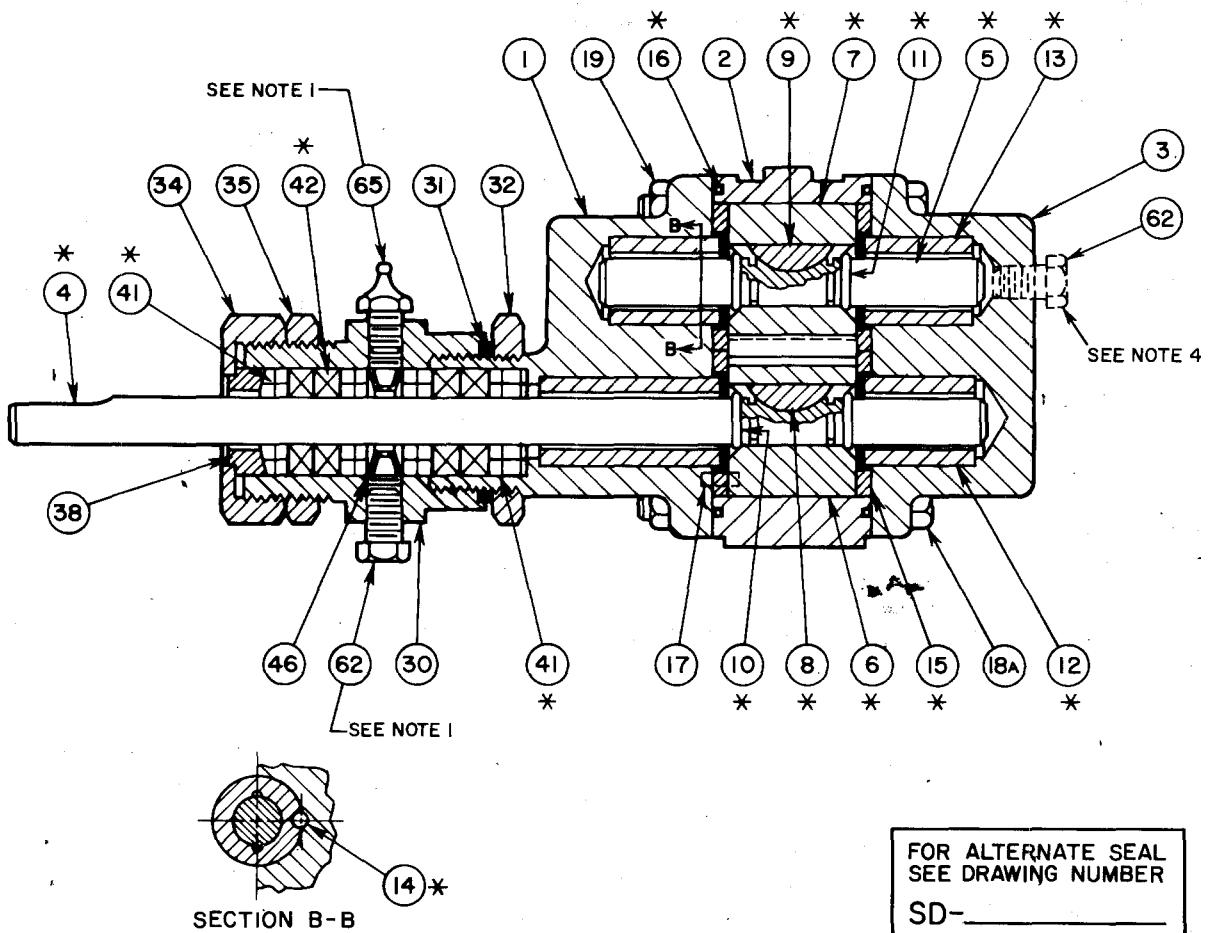


- NOTES:
1. FOR LANTERN RING PACKED BOX
CROSS SECTION SEE SD-2653
 2. FOR MECHANICAL SEAL
CROSS SECTIONS SEE SD-2652

ECO	Pulsafeeder, Inc. ROCHESTER, NY USA
TYPICAL G2/G4 GEARCHEM® PUMP EXPLODED VIEW	
8/95 G REM NIPPLE	DWN BY: B.R.
7/91 F REVISED ITEM NUMBERS	DATE 3-1-78
12/88 E EXPANDED FOR G2	
8/87 D ADDED PACKING END RING	
6/85 C REV NOTES, LTRN R PKG BOX	
8/84 B REV'D TITLE BLOCK	
8/79 A CORRECTED NOMENCLATURE	
SD-2537/ REV. G	

ITEM	PART NAME	ITEM	PART NAME
1	FRONT HOUSING	17	HOUSING PIN
2	CENTER HOUSING	18A	HOUSING BOLT
3	REAR HOUSING	19	NUT, HOUSING BOLT
4	DRIVE SHAFT	30	PACKING BOX
5	IDLER SHAFT	31	GASKET
6	DRIVE GEAR	32	LOCK NUT, HOUSING
7	IDLER GEAR	34	GLAND NUT
8	DRIVE KEY	35	LOCK NUT
9	IDLER KEY	38	PACKING GLAND
10	DRIVE RETAINING RING	41	PACKING END RING
11	IDLER RETAINING RING	42	PACKING RING
12	DRIVE BEARING	46	LANTERN RING
13	IDLER BEARING	62	PLUG, 1/8" NPT
14	BEARING LOCK PIN	65	GREASE FITTING
15	WEAR PLATE		
16	HOUSING O-RING		

SECTION/PAGE	C / 2201
EFFECTIVE	01-01-93
SUPERSEDES	12-01-88

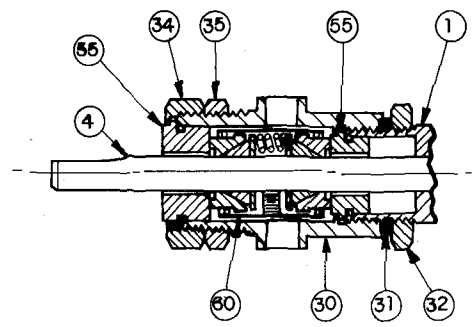


- NOTES: 1. PACKING BOX SHOWN 90° OUT OF POSITION.
 2. * RECOMMENDED SPARE PARTS, AVAILABLE AS OVERHAUL KIT.
 3. MECHANICAL SEALS ARE AVAILABLE.
 4. 1/8" N PT FLUSH PORTS ARE AN AVAILABLE OPTION.

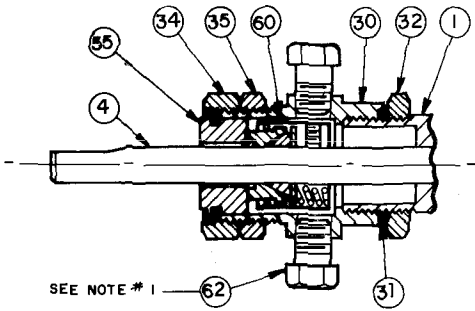
ECO	Pulsafeeder, Inc ROCHESTER, NY USA
G2 MODEL GEARCHEM® PUMP CROSS SECTION WITH LANTERN RING PACKING BOX	
DWN. BY: CLA	SD-2661
DATE: 7-5-88	

ITEM	PART NAME
1	FRONT HOUSING
4	DRIVE SHAFT
30	SEAL HOUSING
31	GASKET
32	LOCK NUT, HOUSING
34	GLAND NUT
35	LOCK NUT
36	SEAT RETAINER W/PIN
37	O-RING, SEAT RETAINER
39A	BOLT, SEAT RETAINER
55	SEAL SEAT W/SEAL RING GA12, 16
55	SEAL SEAT W/O-RING G2, 4, 6, 8
59	PIN, PUMP END SEAT
60	SEAL HEAD ASSEMBLY
62	PLUG, 1/8" NPT
63	PLUG, 1/4" NPT

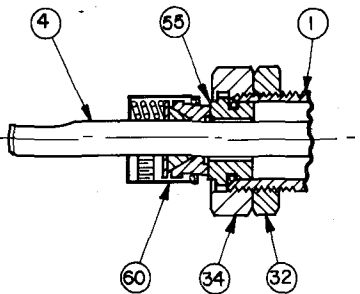
SECTION / PAGE	C / 2202
EFFECTIVE	02-01-96
SUPERSEDES	01-01-95



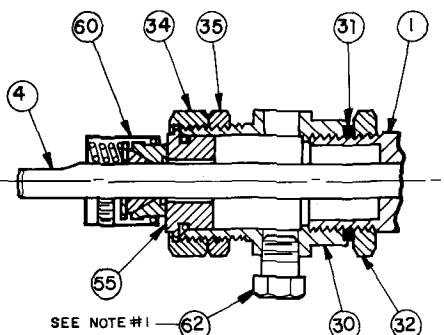
DOUBLE INTERNAL SEAL
A6, G2, G4, G6, G8



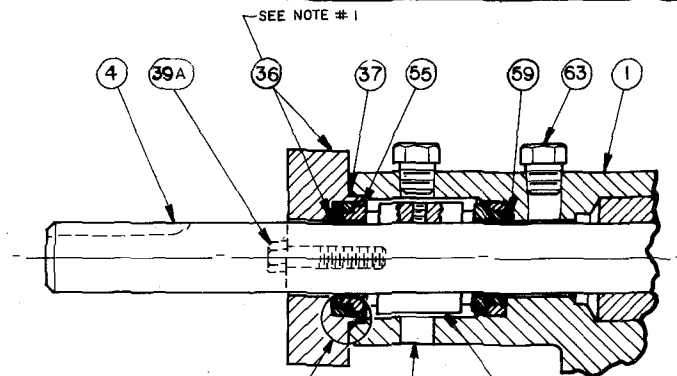
SINGLE INTERNAL SEAL
A6, G2, G4, G6, G8



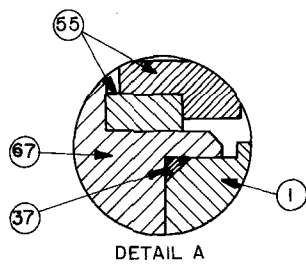
SINGLE EXTERNAL SEAL
A6, G2, G4, G6, G8



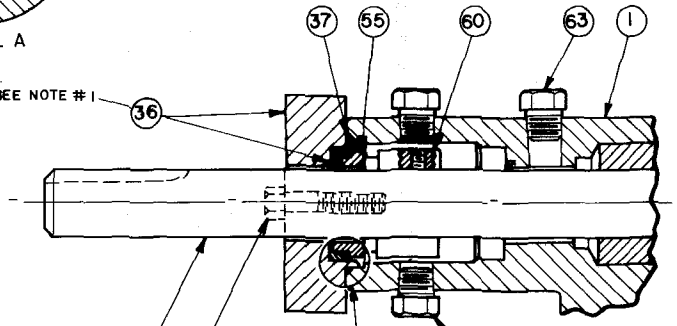
EXTERNAL SEAL FOR VACUUM SERVICE
G2, G4, G6, G8



DOUBLE MECHANICAL SEAL
GA12, GA16



DETAIL A



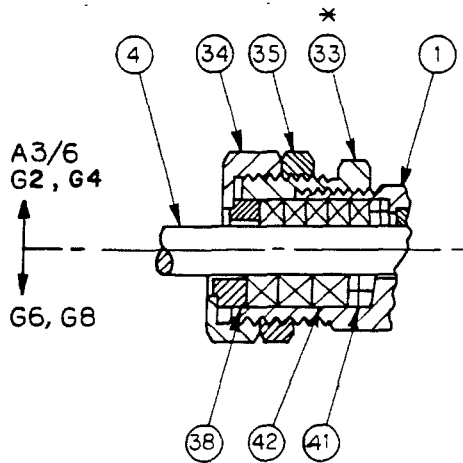
SINGLE MECHANICAL SEAL
GA12, GA16

- NOTES: 1. PARTS SHOWN 90° OUT OF POSITION.
2. REFER TO STANDARD SALES BILL OF MATERIAL FOR PART NUMBERS AND QUANTITY.
3. FOR ALL DOUBLE MECHANICAL SEALS, CIRCULATE SUITABLE FLUID AT 25-30 PSI ABOVE PUMP DISCHARGE PRESSURE. FLUID TEMPERATURE & FLOW MUST BE ADEQUATE TO MAINTAIN A MAXIMUM TEMPERATURE OF 160°F IN SEAL HOUSING.

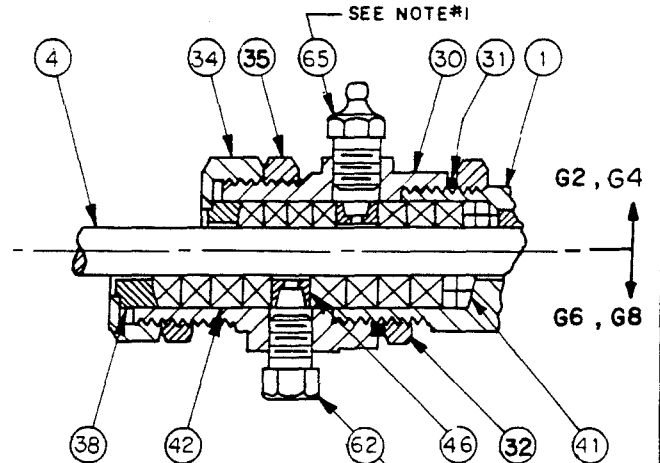
ECO	Pulsafeeder, Inc. ROCHESTER, NY USA
MECHANICAL SEAL ARRANGEMENTS FOR GEARCHEM/ROTARY PUMPS	
DWN BY: KRY	SD-2652
DATE: 6-19-85	

8/95	B REM NIPPLE
7/91	A UPDATED ITEM NUMBERS

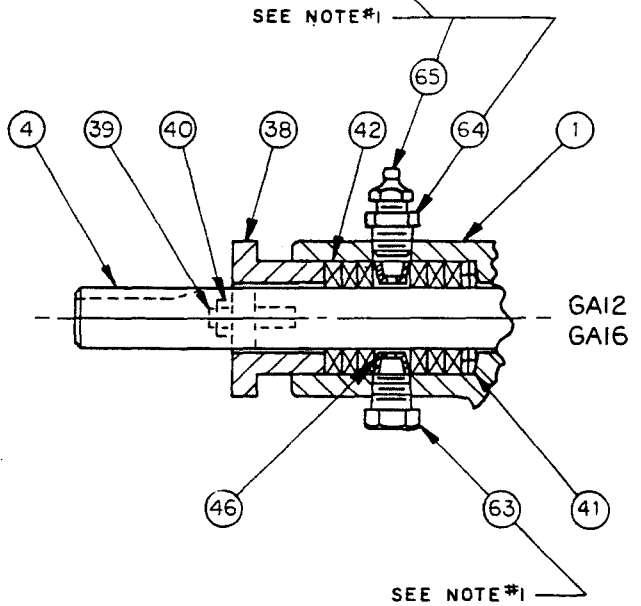
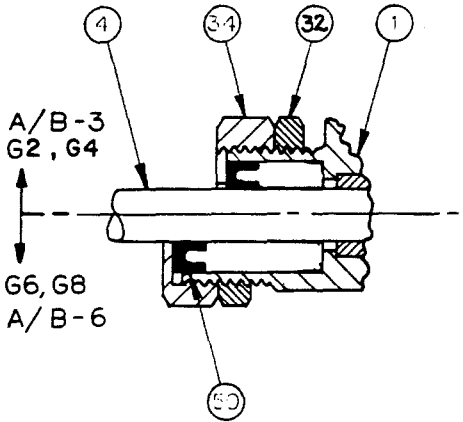
STANDARD STUFFING BOX



LANTERN RING STUFFING BOX



U-CUP LIP SEAL



65	GREASE FITTING
64	ADAPTOR, 1/4" TO 1/8" NPT
63	PLUG, 1/4" NPT
62	PLUG, 1/8" NPT
50	LIP SEAL, U-CUP
46	LANTERN RING
42	PACKING RING
41	PACKING END RING
40	NUT, STUD
39	STUD, PACKING GLAND
38	PACKING GLAND
35	LOCK NUT
34	GLAND NUT
33	HOUSING EXTENSION
32	LOCK NUT, HOUSING
31	GASKET
30	PACKING BOX
4	DRIVE SHAFT
1	FRONT HOUSING
ITEM	PART NAME

NOTES:

- 1.) PARTS SHOWN 90° OUT OF POSITION.
- 2.) * ITEM 33 COMPONENT ONLY A3/6, G2/4.
- 3.) REFER TO STANDARD SALES BILL OF MATERIAL FOR PART NUMBERS & QUANTITY.

ALL DIMENSIONS ARE IN INCHES



PACKING ARRANGEMENTS FOR GEARCHEM/ROTARY PUMPS

REF	REMOVED ITEM NUMBER 53	04/04/01
	REVISION UPDATE	DATE

SECTION/PAGE	C/G2/2203
EFFECTIVE	04/03/83
SUPERSEDES	12/10/87

DWN BY: KRY	SD-2653
DATE 6/19/85	

PARTS ARE ON MANUAL DRAWING

NOTES:

- 1.) PARTS SHOWN 90° OUT OF POSITION.
- 2.) * ITEM 33 COMPONENT ONLY A3/6, G2/4.
- 3.) REFER TO STANDARD SALES BILL OF MATERIAL FOR PART NUMBERS & QUANTITY.

65	GREASE FITTING
64	ADAPTOR, 1/4" TO 1/8"
63	PLUG, 1/4" NPT
62	PLUG, 1/8" NPT
50	LIP SEAL, U-CUP
46	LANTERN RING
42	PACKING RING
41	PACKING END RING
40	NUT, STUD
39	STUD, PACKING GLAND
38	PACKING GLAND
35	LOCK NUT
34	GLAND NUT
33	HOUSING EXTENSION
32	LOCK NUT, HOUSING
31	GASKET
30	PACKING BOX
4	DRIVE SHAFT
1	FRONT HOUSING
ITEM	PART NAME

ALL DIMENSIONS ARE IN INCHES



PACKING ARRANGEMENTS FOR
GEARCHEM/ROTARY PUMPS

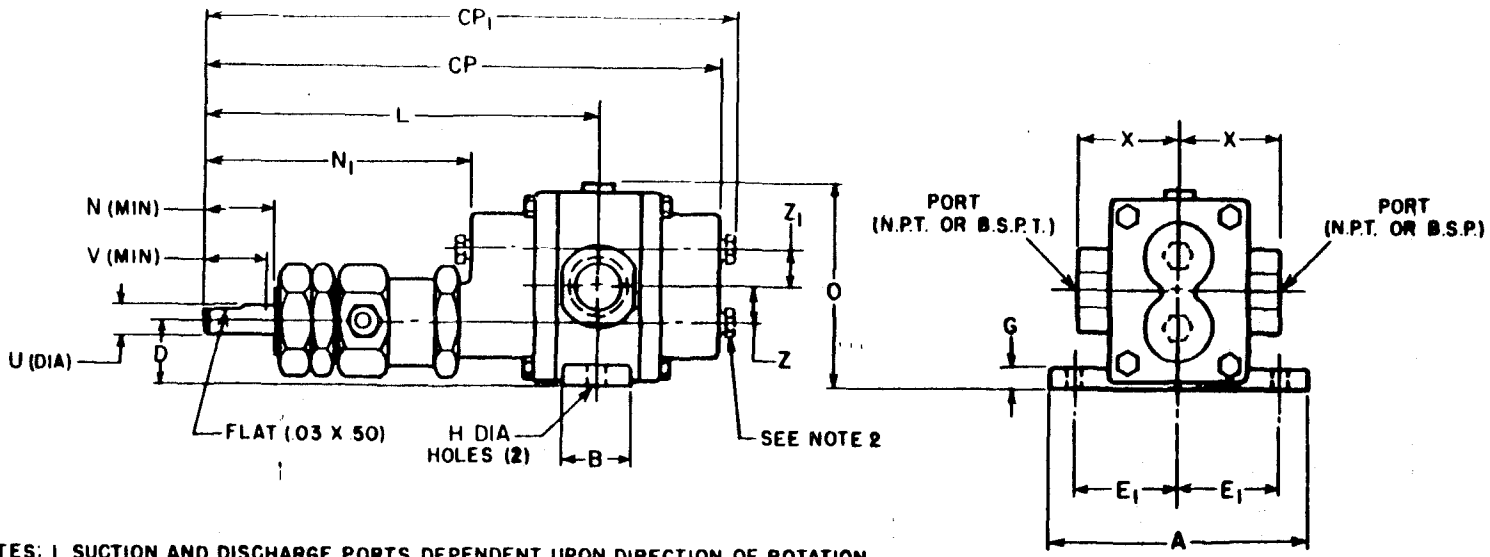
△	REMOVED ITEM NUMBER 53	/ /
REF	REVISION UPDATE	DATE

SECTION/PAGE	
EFFECTIVE	04/03/01
SUPERSEDES	12/10/97

DWN BY: KRY	SD-2653
DATE: 6/19/85	

SECTION / PAGE
EFFECTIVE
SUPERSEDES

C2204
12 / 01 / 88
NEW



NOTES: 1. SUCTION AND DISCHARGE PORTS DEPENDENT UPON DIRECTION OF ROTATION.
2. BEARING FLUSH PLUGS (1/8 N.P.T.) OPTIONAL.

PORTS	DIMENSIONS																	
	INCHES MM																	
	A	B	D		E ₁	G	H	O	U	X	Z	Z ₁	CP	CP ₁	L	N	N ₁	V
1/4	3 1/2	1	7/8		1 1/2	3/16	17/64	2 7/8	3/8	1 1/16	1/2	1/2	7 7/16	B	5 11/16	7/8	3 15/16	13/16
	88.9	25.4	22.2		38.1	4.7	6.7	73	9.5	36.5	12.7	12.7	188.9	203.2	144.4	22.2	100	20.6

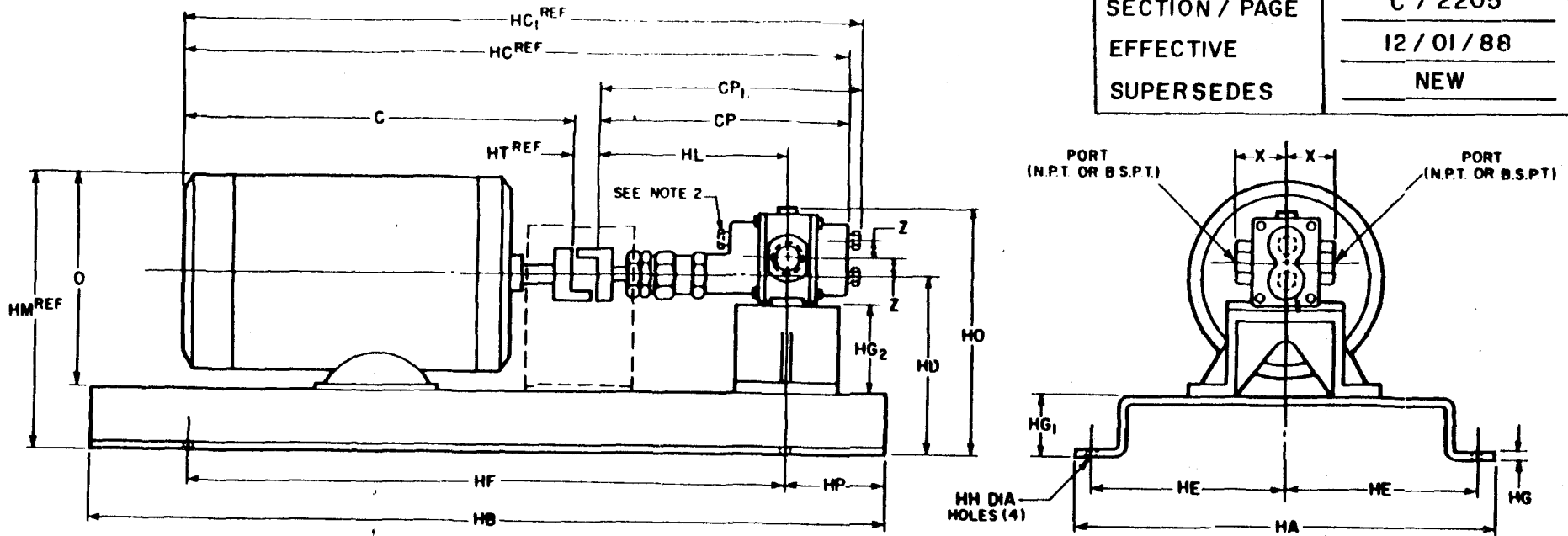
CERTIFIED DRAWING BY **Pulsafeeder, Inc.**

FOR: _____
 CUSTOMER P.O. NO.: _____
 ITEM: _____ SERIAL NO.: _____
 PULSA. ORDER NO.: _____
 DATED: _____ BY: _____
 TAGGING: _____

DWN.	CLA	7/6/88	ECO	Pulsafeeder, Inc. ROCHESTER, NY USA
CHK.			TITLE G2 SERIES UNMOUNTED PUMP	
APP.			BOOKCASE	SIZE A
			SD-2662	
REF			SCALE	SHEET OF

SECTION / PAGE
EFFECTIVE
SUPERSEDES

C / 2205
12 / 01 / 88
NEW



NOTES: 1. SUCTION AND DISCHARGE PORTS DEPENDENT UPON DIRECTION OF ROTATION.
2. BEARING FLUSH PLUGS (1/8 N.P.T.) OPTIONAL.

DIMENSIONS																						
INCHES																						
MM																						
PORTS	C	CP	CP ₁	HA	HB	HC	HC ₁	HD	HE	HF	HG	HG ₁	HG ₂	HH	HL	HM	HO	HP	HT	O	X	Z
1/4		7 7/16	8	12 1/2	24			5 3/8	5 3/4	10	3/16	1 1/16	2 3/8	1 3/32	5 1/16		7 3/16	3	3/4		1 1/8	1/2
		188.9	203.2	317.5	609.6			131.7	146.0	457.2	4.7	42.8	66.6	10.3	144.4		177.8	76.2	190		36.5	12.7
MOTOR DATA	FRAME	HP	RPM	PHASE / HZ / VOLTS																		
ENCLOSURE	MFR																					

NOTE: PRINTED DIMENSIONS SHOWN FOR MOTOR FRAME SIZES 48, 56, 143T, 145T

ECO

Pulsafeeder, Inc
ROCHESTER, NY USA

G2 SERIES
MOUNTED ON BASE PLATE

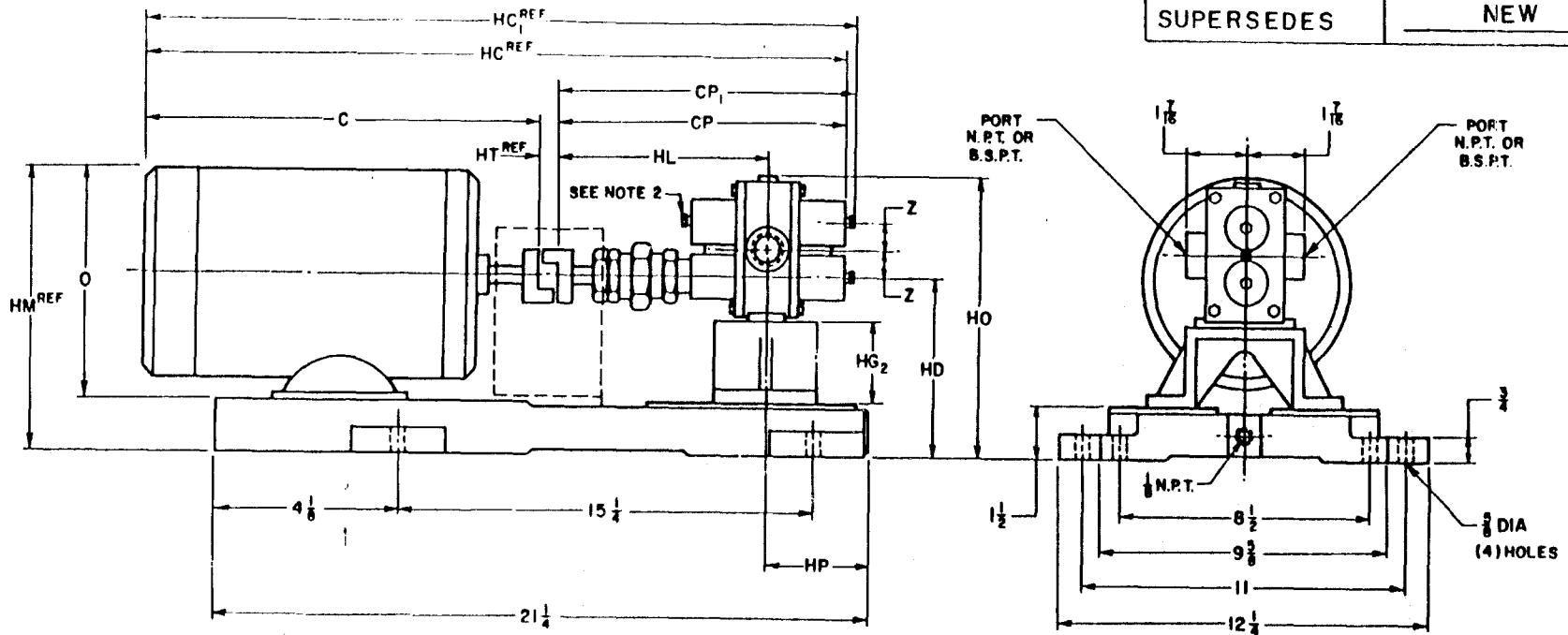
CUSTOMER _____ P.O. NO. _____
ECO ORDER NO. _____ PUMP MODEL NO. _____ ITEM NO. _____
CERTIFIED BY _____ DATE _____

DWN BY: _____
DATE _____

SD-2663

SECTION / PAGE
EFFECTIVE
SUPERSEDES

C / 2206
12 / 01 / 88
NEW



- NOTES:
1. SUCTION AND DISCHARGE PORTS DEPENDENT ON DIRECTION OF ROTATION
2. BEARING FLUSH PLUGS (1/8 N.P.T.) OPTIONAL

DIMENSIONS														
PORTS	C	CP	CP ₁	HC	HC ₁	HD	HG ₂	HL	HM	HO	HP	HT	O	Z
1/4		7 1/16	8			5	2 5/8	5 11/16		6 13/16	3 9/16	3/4		1/2
4		188.9	203.2			127.0	66.6	144.4		173.0	90.4	19.0		12.7
MOTOR DATA	FRAME	H.P.	R.P.M.	PHASE / HZ / VOLTS										
ENCLOSURE	MFR													

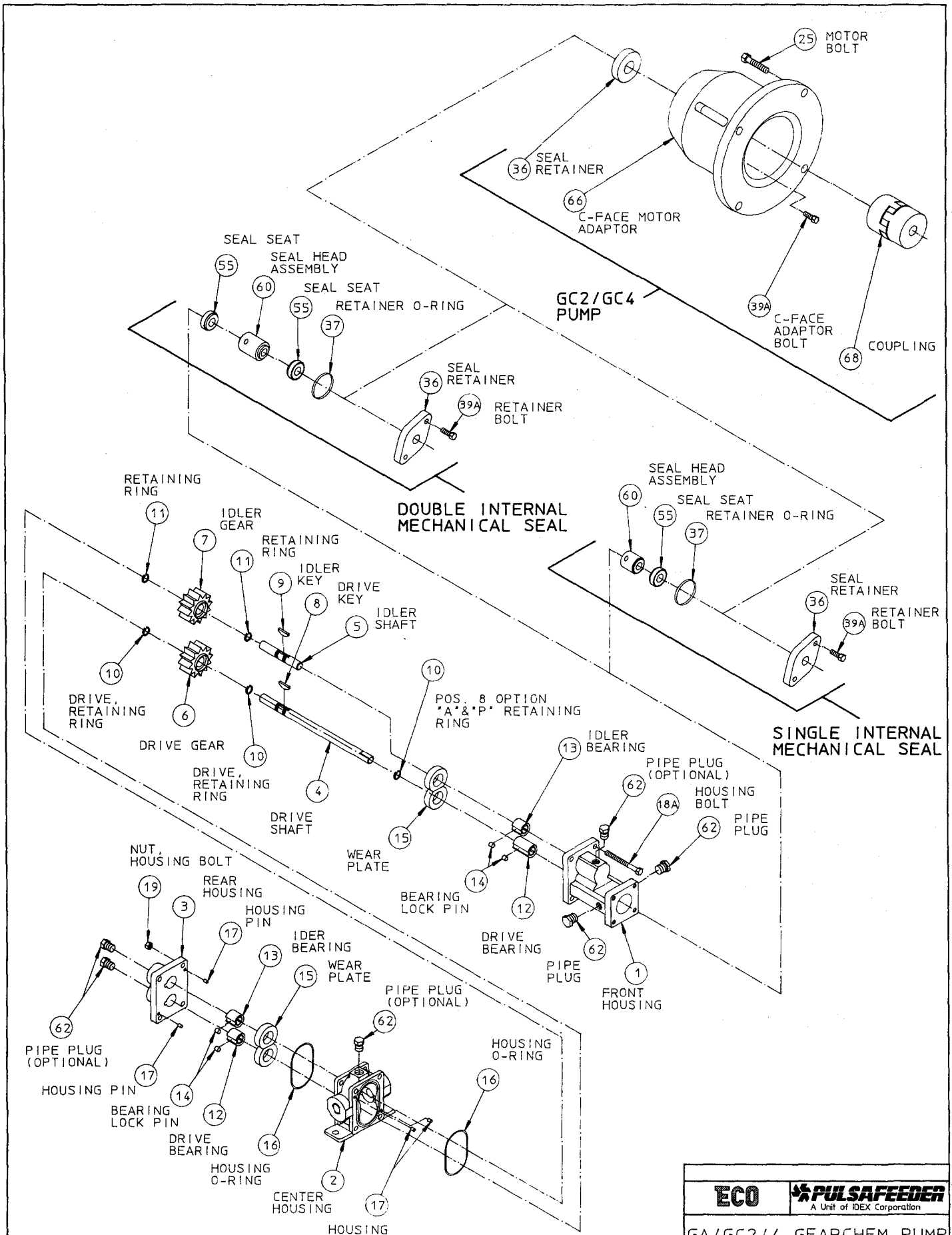
ECO **Pulsafeeder, Inc**
RICHMOND, NY USA

G2 SERIES MOUNTED ON DRIP RIM BASE

DWN BY: _____
DATE _____

SD-2664

CUSTOMER _____ P.O. NO. _____
ECO ORDER NO. _____ PUMP MODEL NO. _____ ITEM NO. _____
CERTIFIED BY _____ DATE _____



ECO **PULSAFEEDER**
A Unit of IOEX Corporation

GA/GC2/4 GEARCHEM PUMP
EXPLODED VIEW

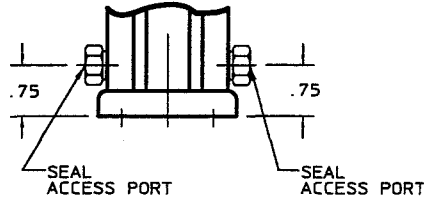
DWN BY: PFM
DATE: 04/23/97
SD-2847

SECTION/PAGE	C/GA2/GC2/2220
EFFECTIVE	12/01/97
SUPERSEDES	NEW

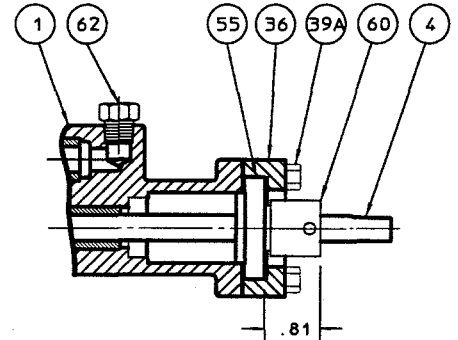
REF	REVISION UPDATE	DATE
-----	-----------------	------

ITEM	PART NAME
1	FRONT HOUSING
4	DRIVE SHAFT
10	RETAINING RING
36	SEAL RETAINER
37	O-RING
39A	BOLT, RETAINER
55	SEAL SEAT
60	SEAL HEAD ASSEMBLY
62	PLUG, 1/8" NPT

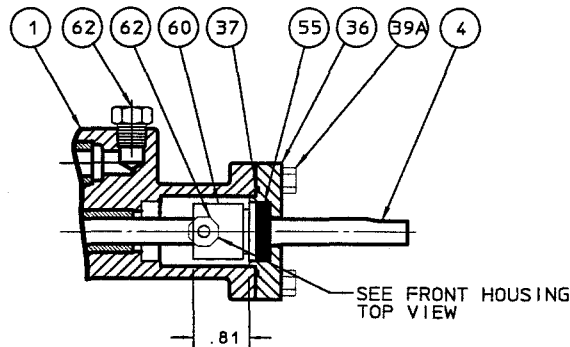
NOTE: FOR CODE E USE EITHER PORT. (SETScrew IS NOT CENTERED IN PORT)



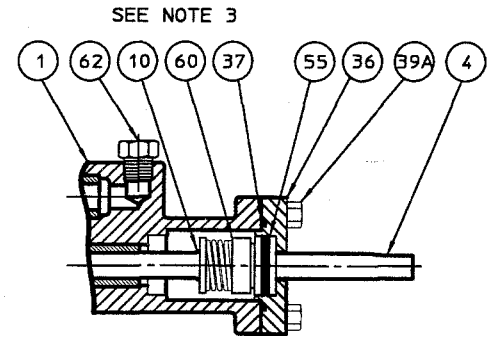
FRONT HOUSING TOP VIEW



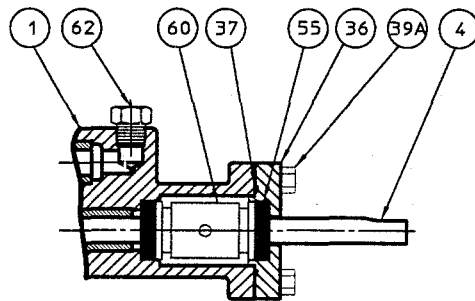
EXTERNAL MECH. SEAL CODE V,W



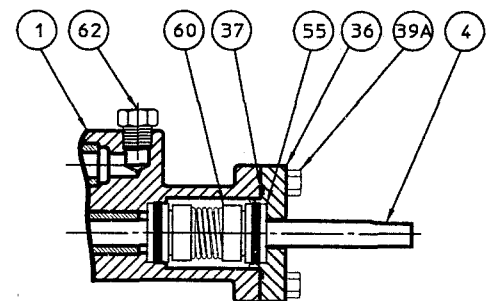
(CENTER SETSCREWS IN PORT OPENING)
SINGLE MECH. SEAL CODE Q,U



SINGLE MECH. SEAL CODE A,P



DOUBLE MECH. SEAL CODE E



DOUBLE MECH. SEAL CODE C

NOTES:

- REFER TO STANDARD SALES BILL OF MATERIALS.
- FOR ALL DOUBLE MECHANICAL SEALS, CIRCULATE SUITABLE FLUID AT 25-30 PSI ABOVE PUMP DISCHARGE PRESSURE. FLUID TEMPERATURE AND FLOW MUST BE ADEQUATE TO MAINTAIN A MAXIMUM TEMPERATURE OF 450° F IN SEAL HOUSING.
- ITEM 10 IS ONLY USED WITH POSITION 8 SEAL OPTION "A" & "P"

ALL DIMENSIONS ARE IN INCHES



GA2/GA4 GEARCHEM PUMP SEAL ARRANGEMENTS CROSS SECTIONAL VIEWS

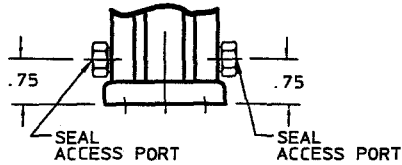
▲	UPDATED PICTORIALY	10/14/98
REF	REVISION UPDATE	DATE

SECTION/PAGE	C/GA2/2221
EFFECTIVE	10/14/98
SUPERSEDES	12/01/97

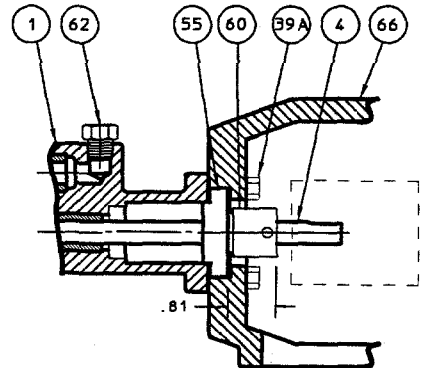
DWN BY: PFM	SD-2849
DATE: 04/15/97	

ITEM	PART NAME
1	FRONT HOUSING
4	DRIVE SHAFT
10	RETAINING RING
36	SEAL RETAINER
37	O-RING
39A	BOLT, RETAINER
55	SEAL SEAT
60	SEAL HEAD ASSEMBLY
62	PLUG, 1/8" NPT
66	C-FACE MOTOR ADAPTOR

NOTE: FOR CODE E USE EITHER PORT. (SETScrew IS NOT CENTERED IN PORT)

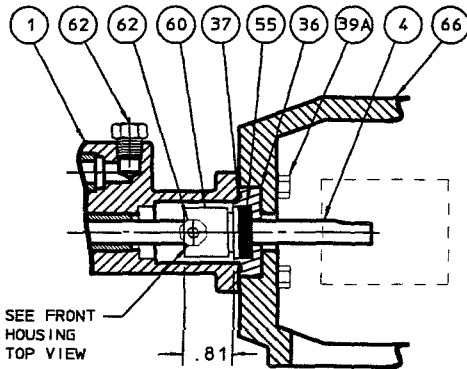


FRONT HOUSING TOP VIEW

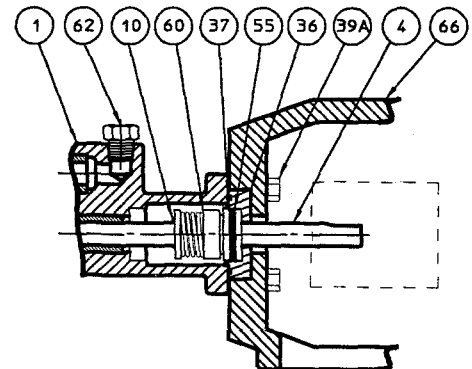


EXTERNAL MECH. SEAL CODE V,W

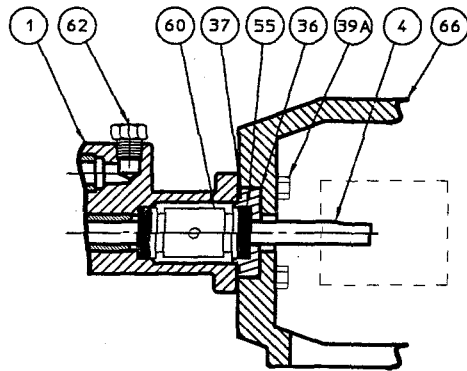
SEE NOTE 3



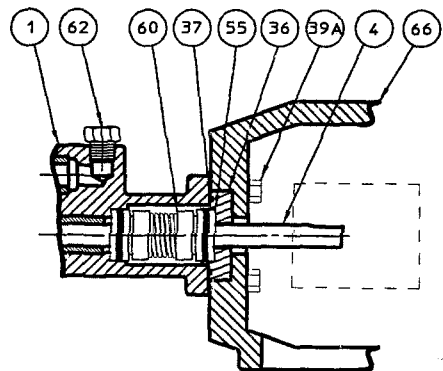
SINGLE MECH. SEAL CODE Q,U



SINGLE MECH. SEAL CODE A,P



DOUBLE MECH. SEAL CODE E



DOUBLE MECH. SEAL CODE C

NOTES:

- REFER TO STANDARD SALES BILL OF MATERIALS.
- FOR ALL DOUBLE MECHANICAL SEALS, CIRCULATE SUITABLE FLUID AT 25-30 PSI ABOVE PUMP DISCHARGE PRESSURE. FLUID TEMPERATURE AND FLOW MUST BE ADEQUATE TO MAINTAIN A MAXIMUM TEMPERATURE OF 450° F IN SEAL HOUSING.
- ITEM 10 IS ONLY USED WITH POSITION 8 SEAL OPTION "A" & "P".

ALL DIMENSIONS ARE IN INCHES



GC2/GC4 GEARCHEM PUMP SEAL ARRANGEMENTS CROSS SECTIONAL VIEWS

DWN BY: PFM
DATE: 05/01/97

SD-2854

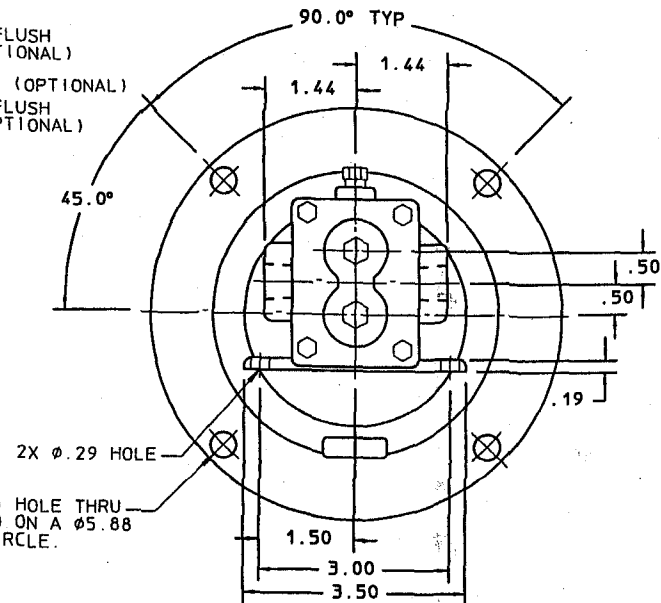
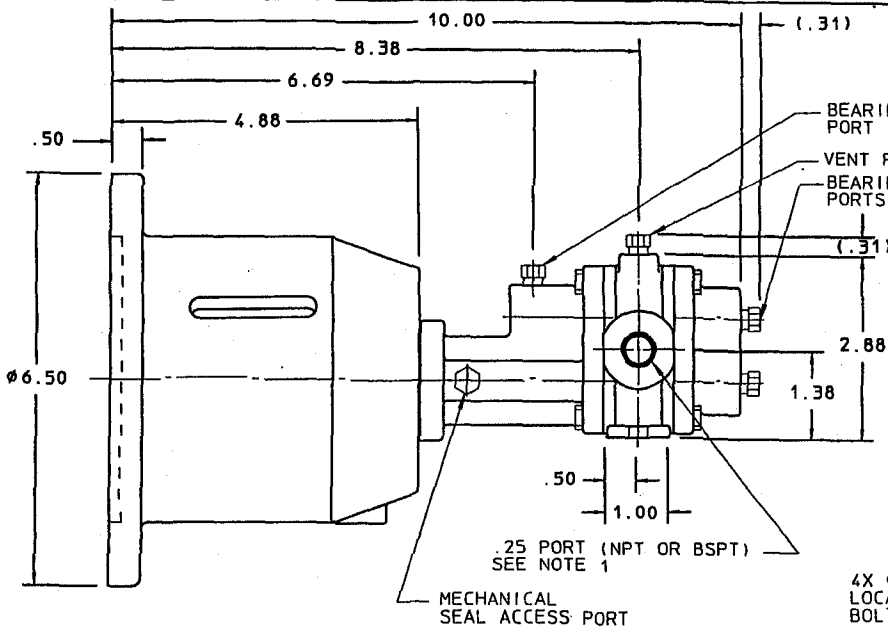
▲ UPDATED PICTORIALLY	10/14/98
REF REVISION UPDATE	DATE

SECTION/PAGE	C/GC2/2222
EFFECTIVE	10/14/98
SUPERSEDES	12/01/97

REF A
ADDED OPTIONAL FLANGE
REVISION UPDATE
03/27/01
DATE

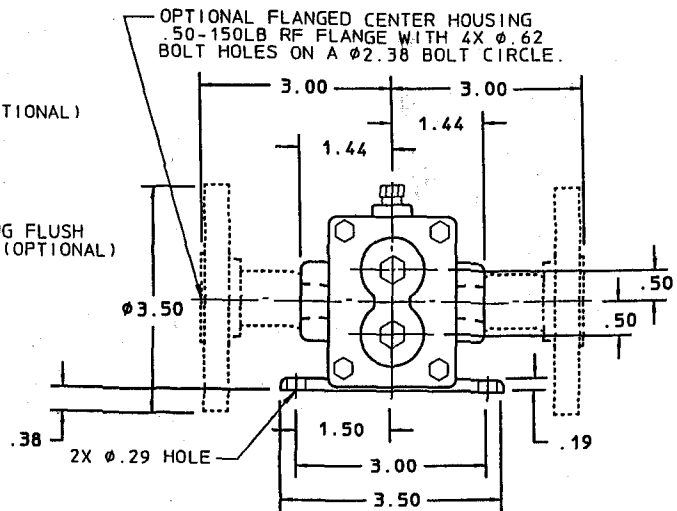
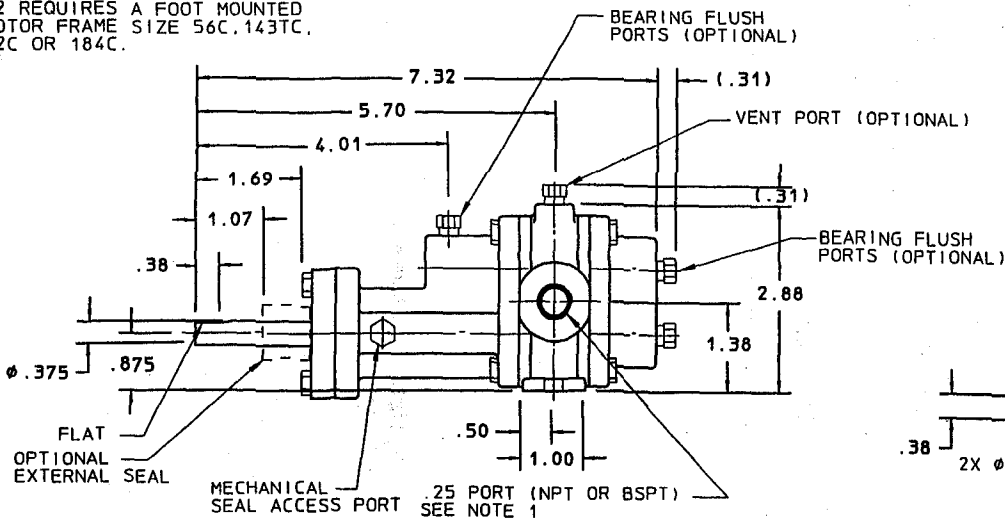
SECTION/PAGE
EFFECTIVE
SUPERSEDES
C/GA2/GC2/2224
03/27/01
12/01/97

ALL DIMENSIONS ARE IN INCHES
ECO
KRUL SAFERIDER
A Unit of DEK Corporation
DIMENSIONAL DRAWING
GA2/GC2 PUMP UNMOUNTED
DWN BY: PFM
DATE: 04/14/97
SD-2850



- NOTES:
1) SUCTION AND DISCHARGE PORTS ARE DEPENDENT UPON ROTATION.
2) ALL STANDARD AND OPTIONAL PIPE PLUGS ARE .125 NPT.
3) MODEL GC2 REQUIRES A FOOT MOUNTED C-FACE MOTOR FRAME SIZE 56C, 143TC, 145TC, 182C OR 184C.

GC2 SINGLE / DOUBLE MECHANICAL SEAL



GA2 SINGLE / DOUBLE MECHANICAL SEAL

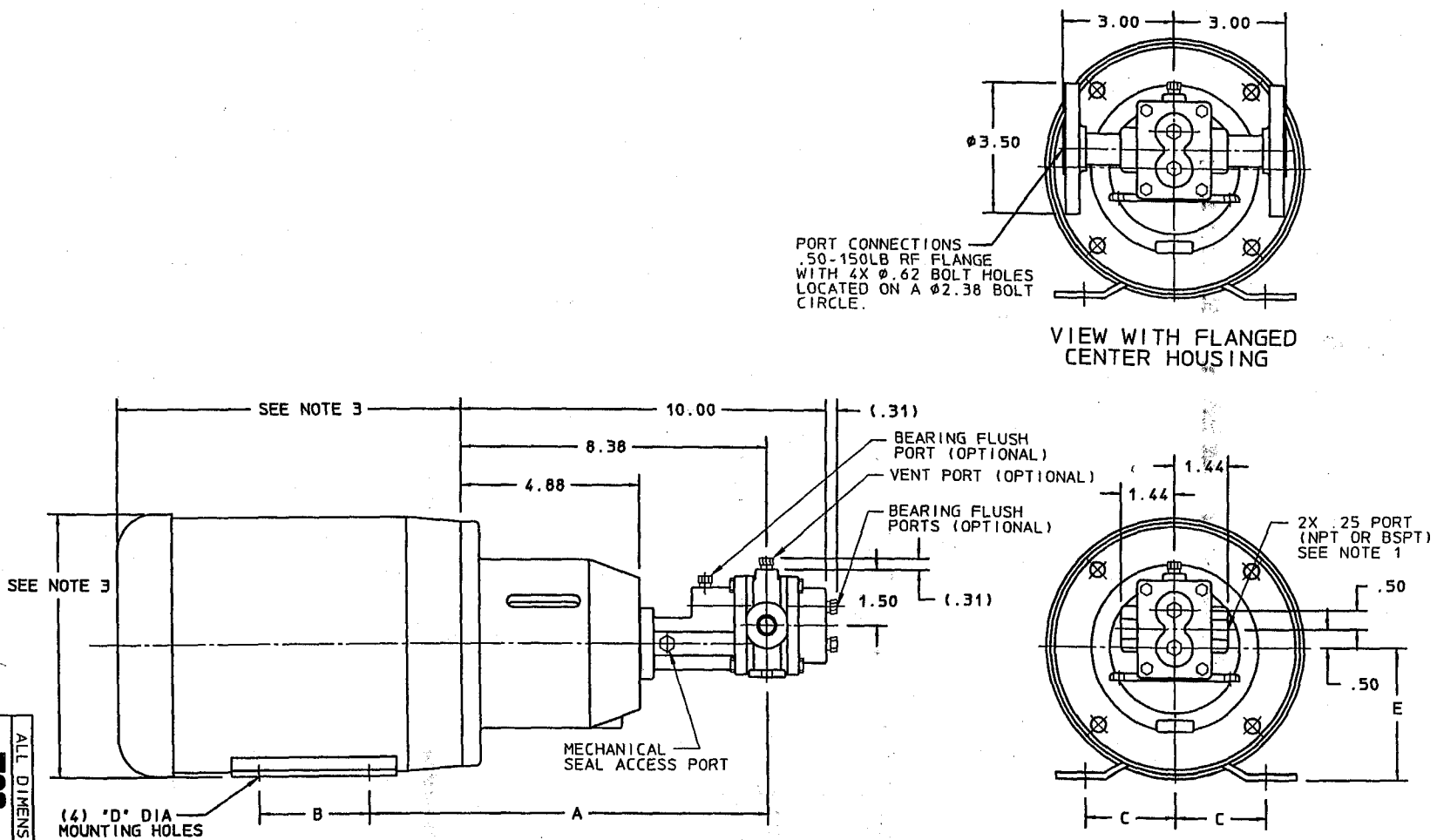
REF
 Δ ADDED FLANGED VIEW
 REVISION UPDATE
 DATE 03/27/01

SECTION/PAGE
 EFFECTIVE
 SUPERSEDES
 C/GC2/2225
 03/27/01
 12/01/97

DW BY: PFM
 DATE: 11/13/97
 SD-2880

ALL DIMENSIONS ARE IN INCHES
ECO
PERFORMANCE
 A Unit of IDEX Corporation

DIMENSIONAL DRAWING
 GC2 MOTOR MOUNTED



- NOTES:
 1) SUCTION AND DISCHARGE PORTS ARE DEPENDENT UPON ROTATION.
 2) ALL STANDARD AND OPTIONAL PIPE PLUGS ARE .125 NPT.
 3) MOTOR DIMENSIONS VARY BY MANUFACTURER. CONSULT MANUFACTURER'S DRAWING FOR SPECIFICS.

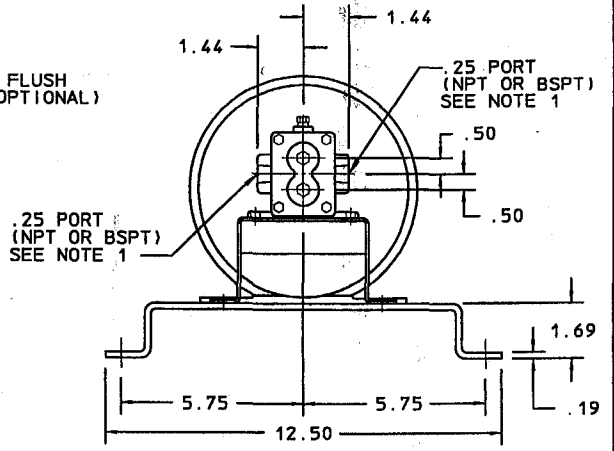
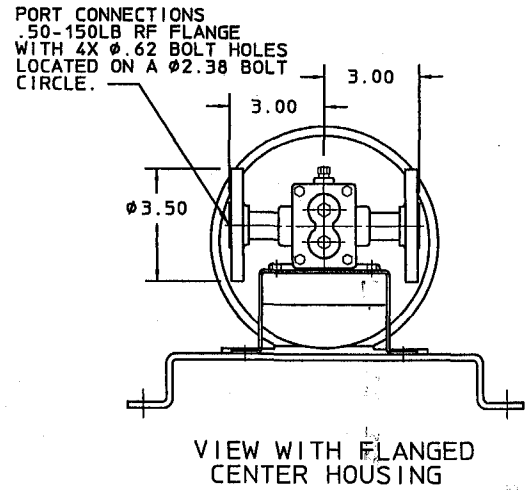
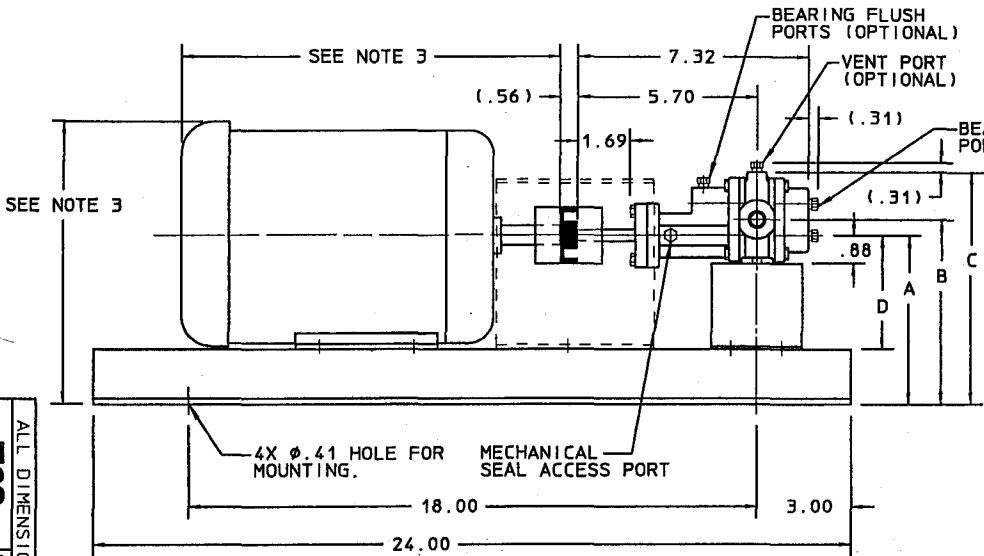
REF A ADDED FLANGED VIEW
 REVISION UPDATE
 DATE 03/27/01

SECTION/PAGE C/GA2/22226
 EFFECTIVE 03/27/01
 SUPERSEDES 12/01/97

DWN BY: PEM
 DATE: 10/31/97
 SD-2876

ALL DIMENSIONS ARE IN INCHES
ECO
PUMPSAFETY
 A UNIT OF DEK Corporation

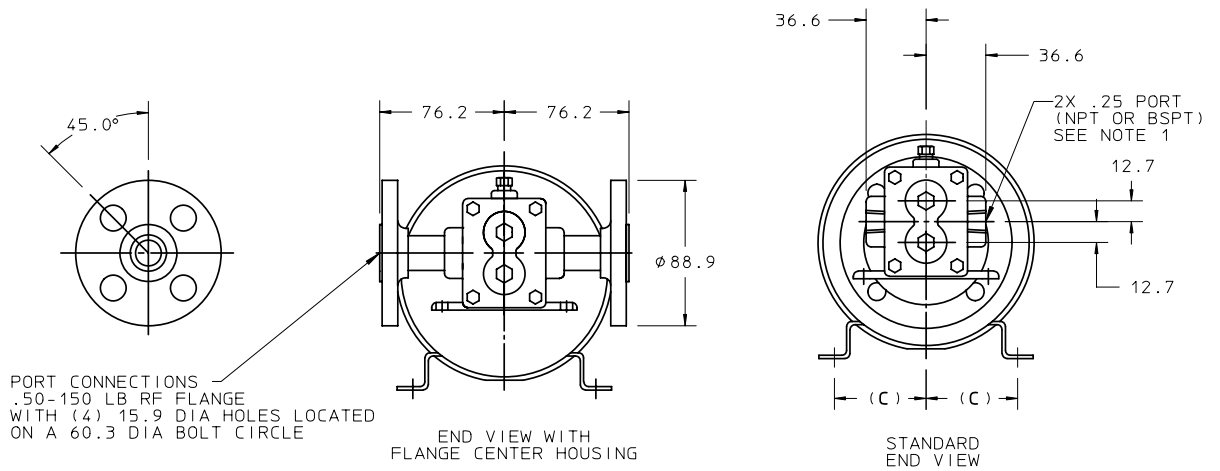
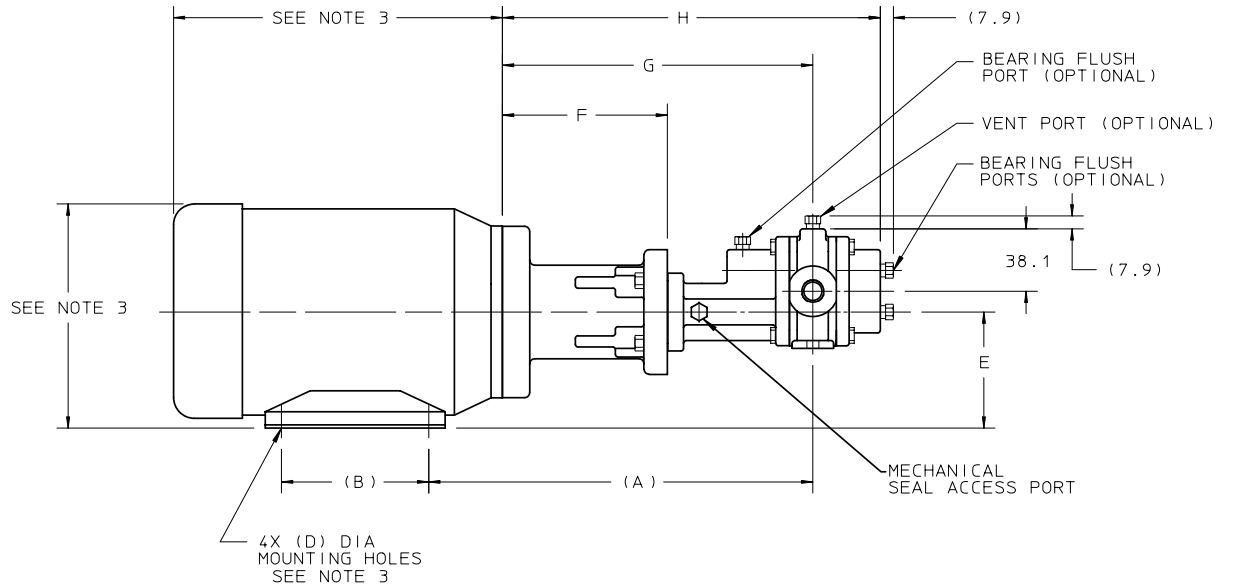
GA2 SERIES MOUNTED ON BASE PLATE



PUMP SERIES	DIMENSIONS			MOTOR INFO. FRAME	
	A	B	C		D
GA2	5.19	5.69	7.19	56	3.50
	5.19	5.69	7.19	143/5T	3.50
	6.19	6.69	8.19	182/4T	4.50

- NOTES:
- SUCTION AND DISCHARGE PORTS DEPENDENT ON DIRECTION OF ROTATION.
 - ALL STANDARD AND OPTIONAL PIPE PLUGS ARE (1/8" N.P.T.).
 - MOTOR DIMENSIONS VARY BY MANUFACTURER, CONSULT MANUFACTURERS DRAWING FOR SPECIFICS. BASE WILL ACCOMMODATE MOTOR FRAME SIZES, 56, 143/5T, AND 182/4T.

- NOTES:
 1) SUCTION AND DISCHARGE PORTS ARE DEPENDENT UPON ROTATION.
 2) ALL STANDARD AND OPTIONAL PIPE PLUGS ARE .125 NPT.
 3) MOTOR DIMENSIONS VARY BY MANUFACTURER. CONSULT MANUFACTURER'S DRAWING FOR SPECIFICS.



REF DIMS
 SEE NOTE 3

MOTOR FRAME	A	B	C	D	E	F	G	H
63C	222.5	80.0	50.0	7.1	63.0	93.7	82.6	223.8
71C	234.7	89.9	55.9	7.1	71.0	100.8	189.7	230.9

ALL DIMENSIONS ARE IN MM

ECO **PULSAFEEDER**
 A Unit of IDEX Corporation

DIMENSIONAL DRAWING
 GC2 MOTOR MOUNTED
 63, 71 METRIC FRAME

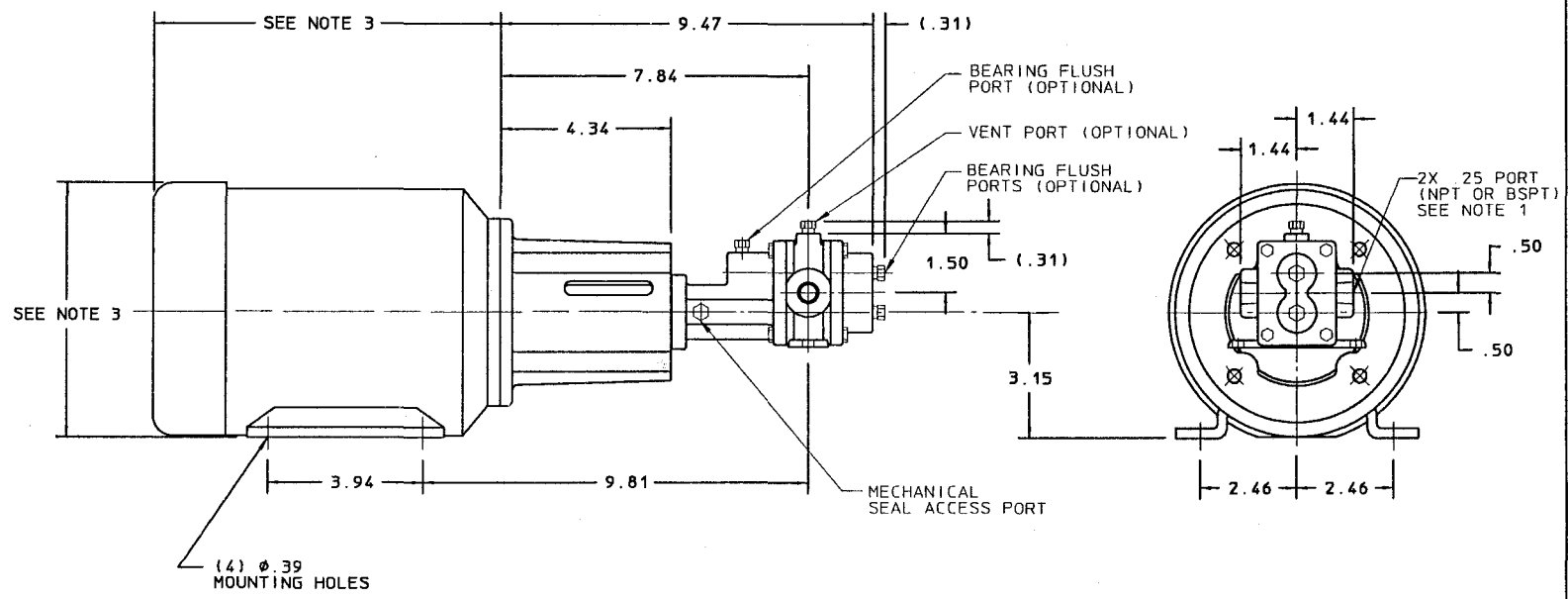
DWN BY: PFM
 DATE: 10/21/98

SD-2897

REV	DESCRIPTION	DATE	SECTION/PAGE	EFFECTIVE	SUPERSEDES
△	ADDED FLANGED END VIEW	04/27/07	C/GC2/2227	04/27/07	
	REVISION UPDATE				10/14/98

REF	A
REVISION UPDATE	DATE
SUPERSEDES	EFFECTIVE
NEW	SECTION/PAGE
	C/GC2/2228
	10/14/98

DATE: 10/21/98	DWN BY: PFM	ALL DIMENSIONS ARE IN INCHES
SD-2898	80 METRIC FRAME	
	GC2 MOTOR MOUNTED	
	DIMENSIONAL DRAWING	
	ECO	
	HYDRA-SAFER	
	A UNIT OF DEK CORPORATION	



- NOTES:
- 1) SUCTION AND DISCHARGE PORTS ARE DEPENDENT UPON ROTATION.
 - 2) ALL STANDARD AND OPTIONAL PIPE PLUGS ARE .125 NPT.
 - 3) MOTOR DIMENSIONS VARY BY MANUFACTURER. CONSULT MANUFACTURER'S DRAWING FOR SPECIFICS.