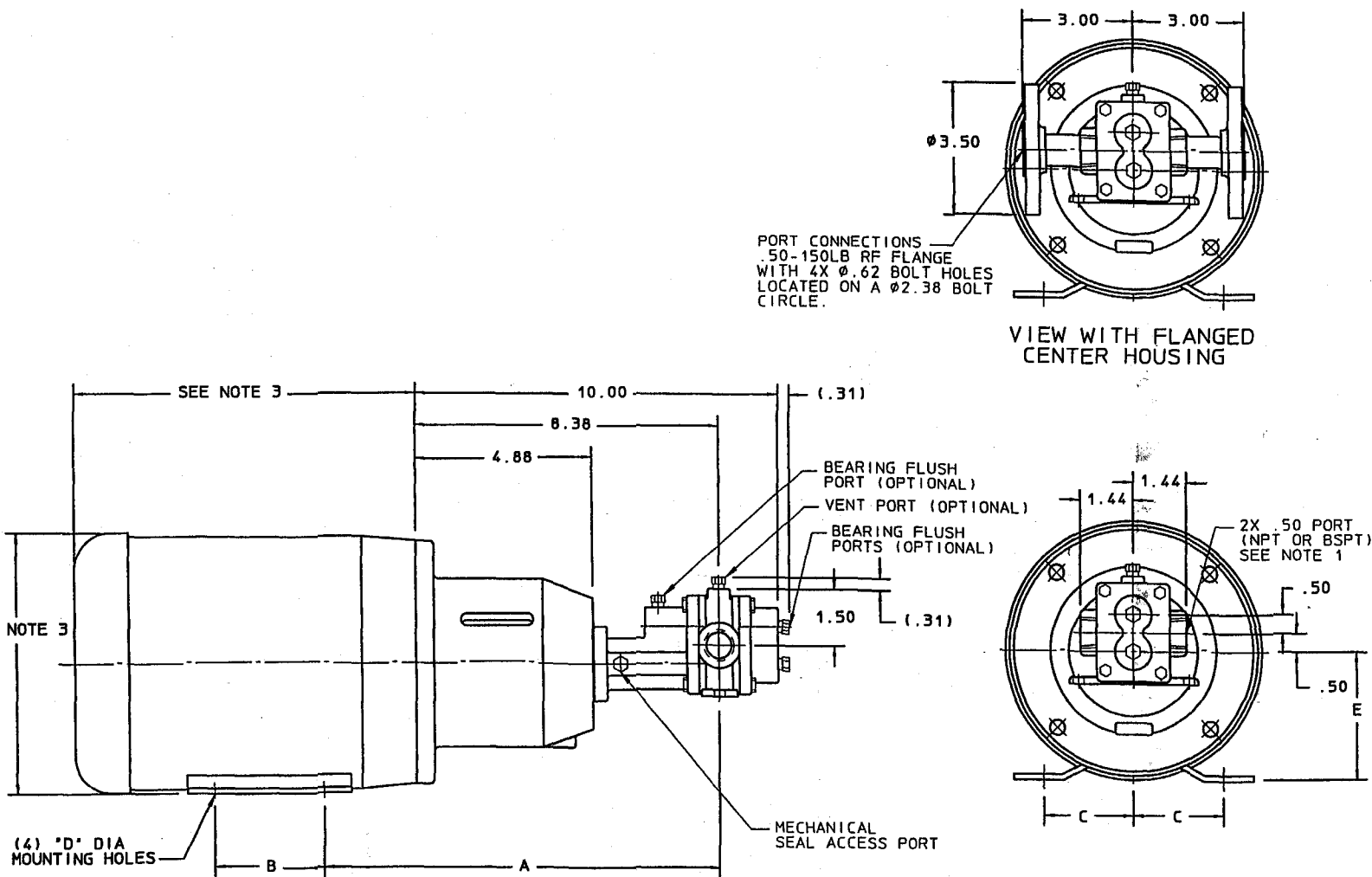


| | | | | | | | |
|-----|-------------------|--------------|----------|-----------|------------|-------------|---------|
| REF | ADDED FLANGE VIEW | SECTION/PAGE | DATE | EFFECTIVE | SUPERSEDES | DWN BY: PFM | SD-2881 |
| | REVISION UPDATE | C/GC/L/225 | 03/27/01 | 03/27/01 | 12/01/97 | 11/13/97 | |

ECO
PULSAFEEDER
 A Unit of DEX Corporation

ALL DIMENSIONS ARE IN INCHES

DIMENSIONAL DRAWING
 GC4 MOTOR MOUNTED



- NOTES:
- 1) SUCTION AND DISCHARGE PORTS ARE DEPENDENT UPON ROTATION.
 - 2) ALL STANDARD AND OPTIONAL PIPE PLUGS ARE .125 NPT.
 - 3) MOTOR DIMENSIONS VARY BY MANUFACTURER. CONSULT MANUFACTURER'S DRAWING FOR SPECIFICS.

| MOTOR FRAME | A | B | C | D | E |
|-------------|-------|------|------|-----|------|
| 56C | 10.94 | 3.00 | 2.44 | .34 | 3.50 |
| 143TC | 11.25 | 4.00 | 2.75 | .34 | 3.50 |
| 145TC | 11.25 | 5.00 | 2.75 | .34 | 3.50 |
| 182C | 11.25 | 4.50 | 3.75 | .41 | 4.50 |
| 184C | 11.25 | 5.50 | 3.75 | .41 | 4.50 |

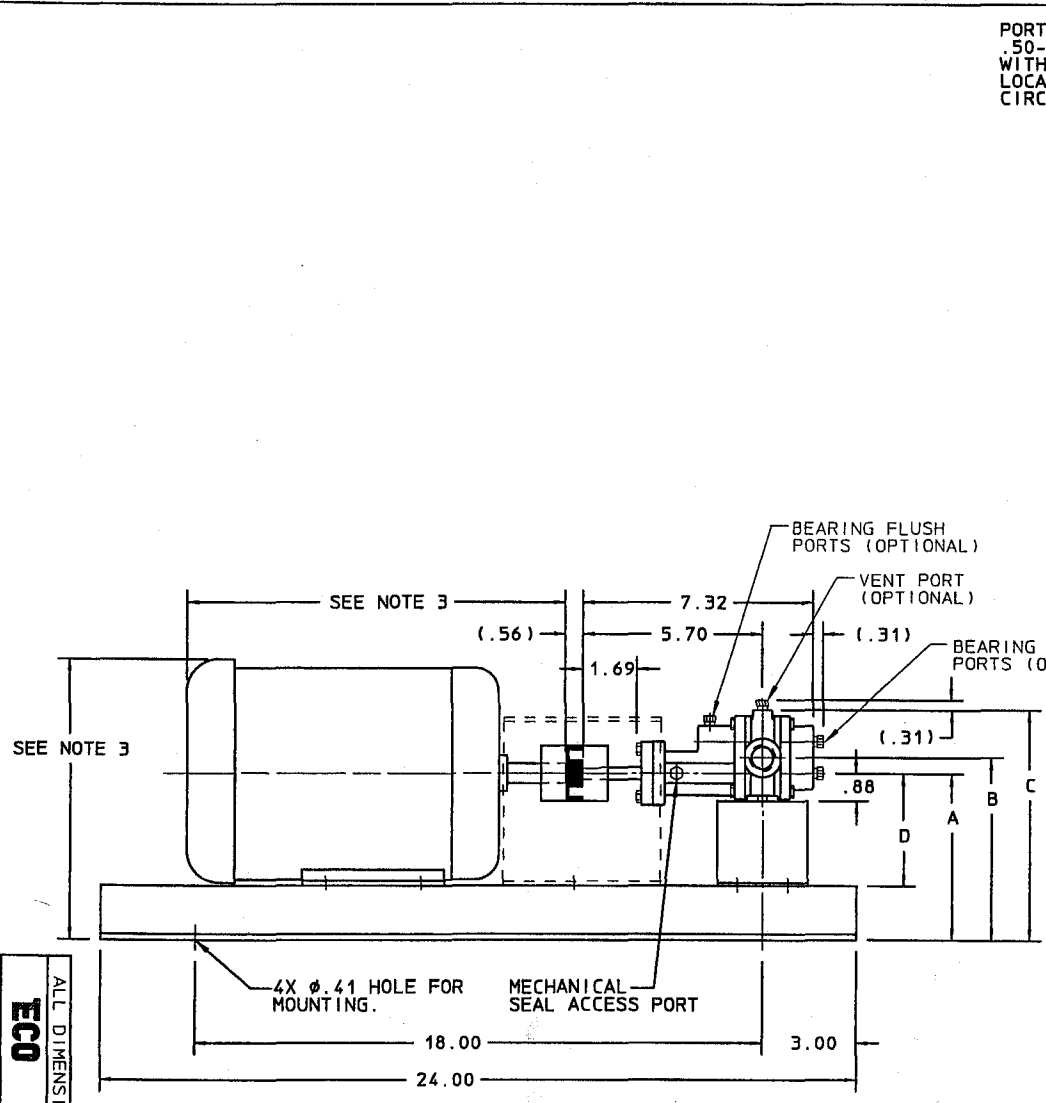
REF A ADDED FLANGE VIEW
REVISION UPDATE
DATE 03/27/01

SECTION/PAGE C/GA4/226
EFFECTIVE 03/27/01
SUPERSEDES 12/01/97

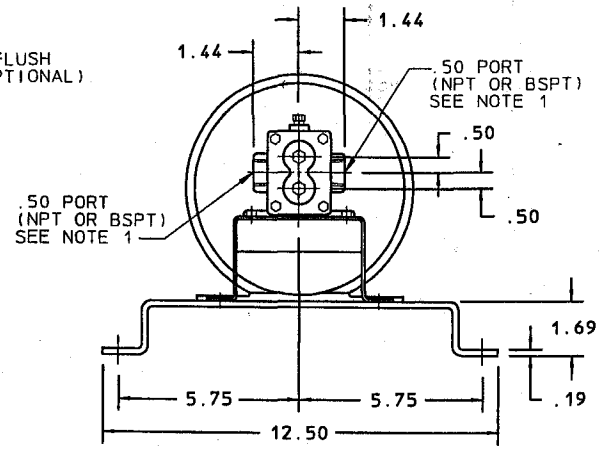
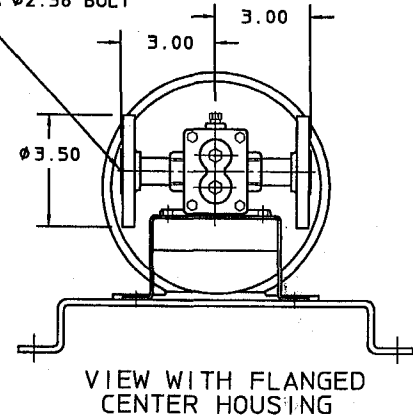
DWN BY: PFM
DATE: 11/03/97
SD-2877

ALL DIMENSIONS ARE IN INCHES
ECO
PULSAFEEDER
A Unit of DECK Corporation

GA4 SERIES MOUNTING
ON BASE PLATE



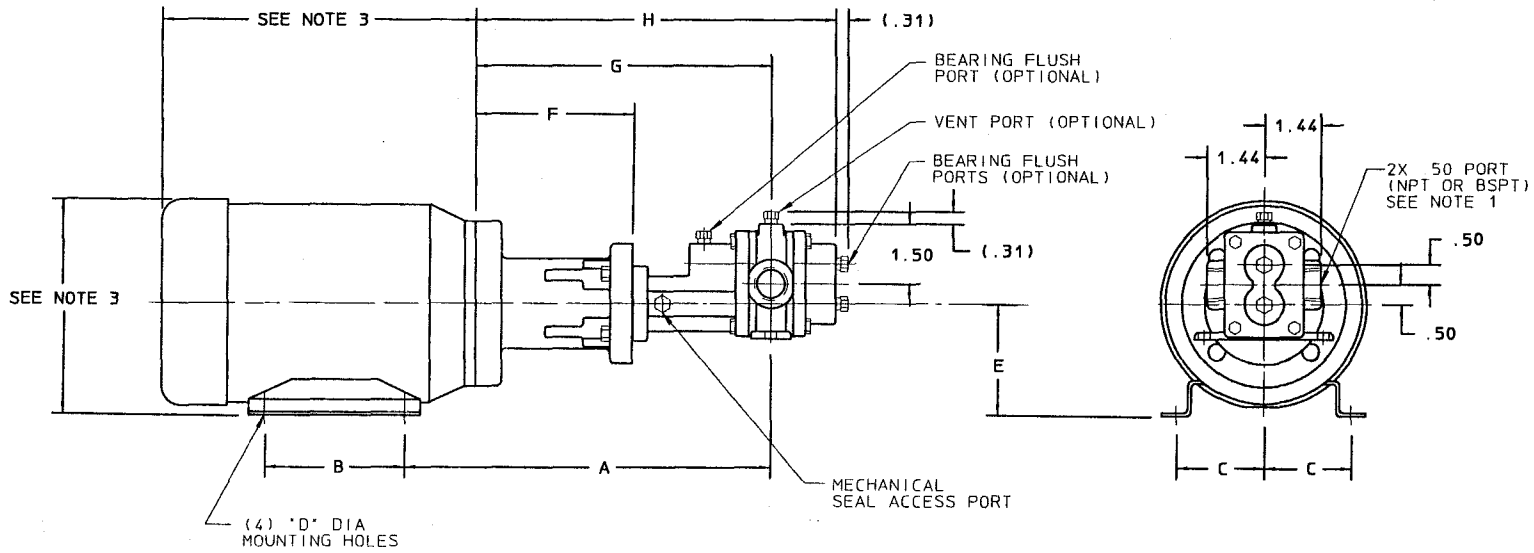
PORT CONNECTIONS
.50-150LB RF FLANGE
WITH 4X Ø.62 BOLT HOLES
LOCATED ON A Ø2.38 BOLT
CIRCLE.



| PUMP SERIES | DIMENSIONS | | | MOTOR INFO. | |
|-------------|------------|------|------|-------------|------|
| | A | B | C | FRAME | D |
| GA4 | 5.19 | 5.69 | 7.19 | 56 | 3.50 |
| | 5.19 | 5.69 | 7.19 | 143/5T | 3.50 |
| | 6.19 | 6.69 | 8.19 | 182/4T | 4.50 |

- NOTES:
- SUCTION AND DISCHARGE PORTS DEPENDENT ON DIRECTION OF ROTATION.
 - ALL STANDARD AND OPTIONAL PIPE PLUGS ARE (1/8" N.P.T.).
 - MOTOR DIMENSIONS VARY BY MANUFACTURER. CONSULT MANUFACTURERS DRAWING FOR SPECIFICS. BASE WILL ACCOMMODATE MOTOR FRAME SIZES, 56, 143/5T, AND 182/4T.

| | | | | | | | | | |
|-----|-----------------|------|--------------|-----------|------------|-----|---------|----------|---------|
| REF | REVISION UPDATE | DATE | SECTION/PAGE | EFFECTIVE | SUPERSEDES | NEW | DWN BY: | DATE: | SD-2899 |
| | | | C/GC4/L227 | 10/14/98 | | | PEH | 10/21/98 | |



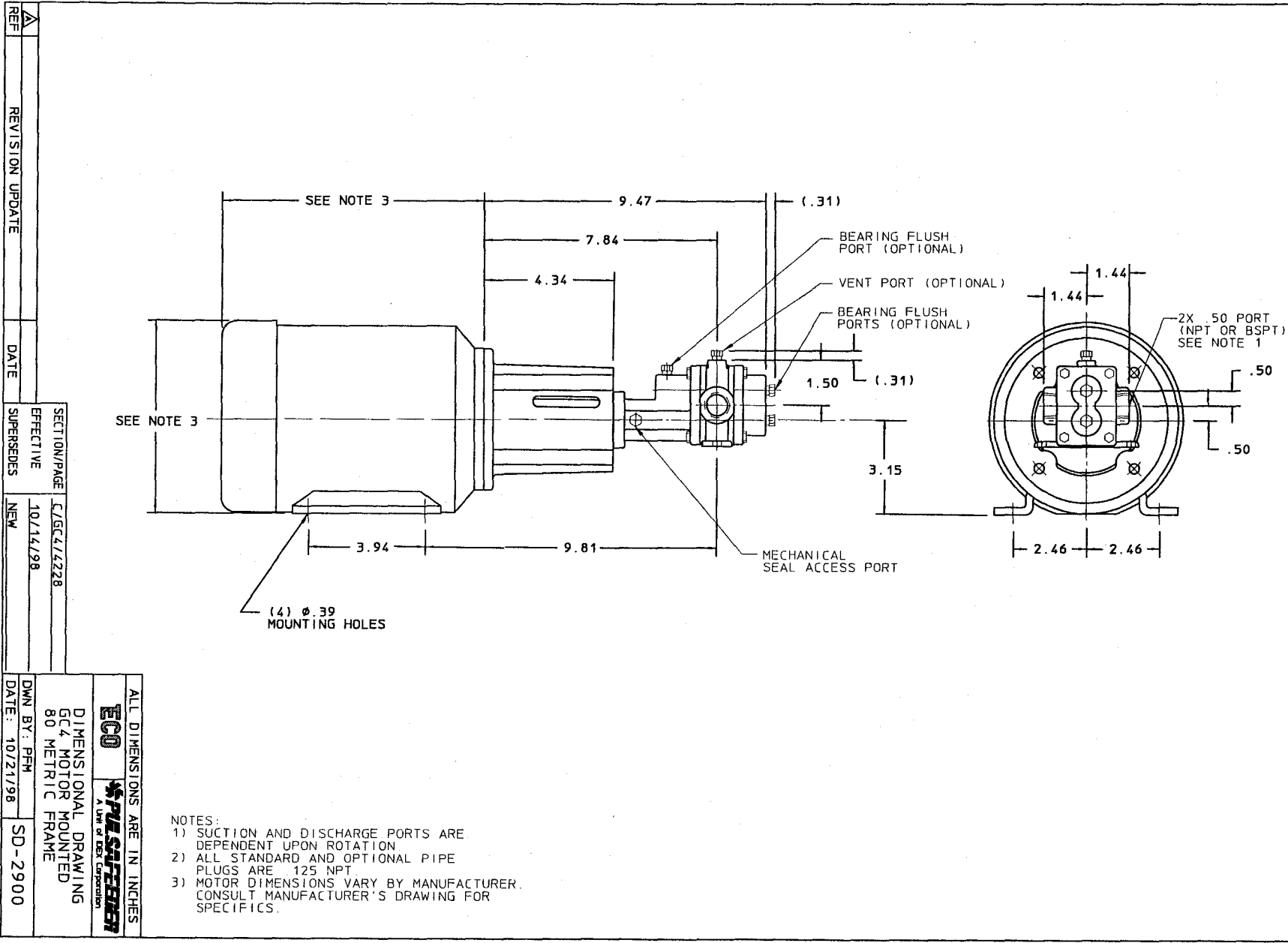
| MOTOR FRAME | A | B | C | D | E | F | G | H |
|-------------|------|------|------|-----|------|------|------|------|
| 63C | 8.76 | 3.15 | 1.97 | .28 | 2.48 | 3.69 | 7.19 | 8.81 |
| 71C | 9.24 | 3.54 | 2.20 | .28 | 2.80 | 3.97 | 7.47 | 9.09 |

- NOTES:
- 1) SUCTION AND DISCHARGE PORTS ARE DEPENDENT UPON ROTATION
 - 2) ALL STANDARD AND OPTIONAL PIPE PLUGS ARE 125 NPT
 - 3) MOTOR DIMENSIONS VARY BY MANUFACTURER. CONSULT MANUFACTURER'S DRAWING FOR SPECIFICS.

ALL DIMENSIONS ARE IN INCHES

ECO **W. P. SAFER**
A Unit of Dex Corporation

DIMENSIONAL DRAWING
G4 MOTOR MOUNTED
63, 71 METRIC FRAME



- NOTES:
- 1) SUCTION AND DISCHARGE PORTS ARE DEPENDENT UPON ROTATION
 - 2) ALL STANDARD AND OPTIONAL PIPE PLUGS ARE 125 NPT
 - 3) MOTOR DIMENSIONS VARY BY MANUFACTURER. CONSULT MANUFACTURER'S DRAWING FOR SPECIFICS.

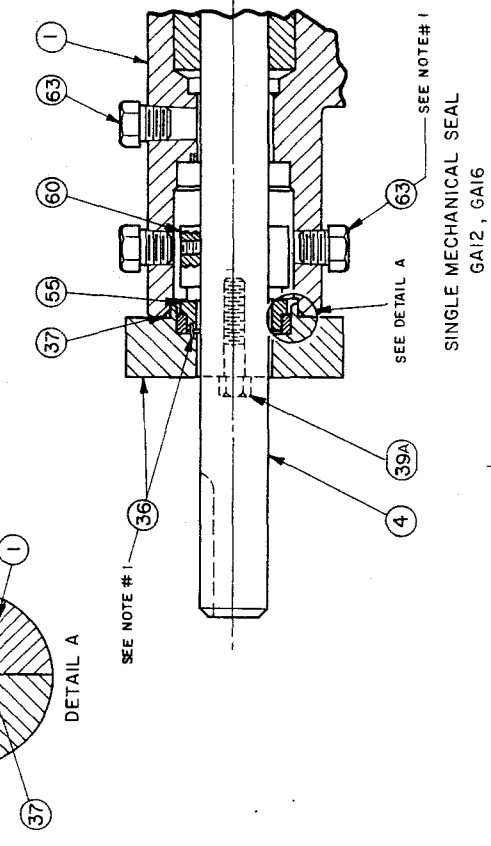
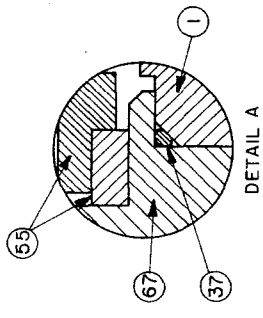
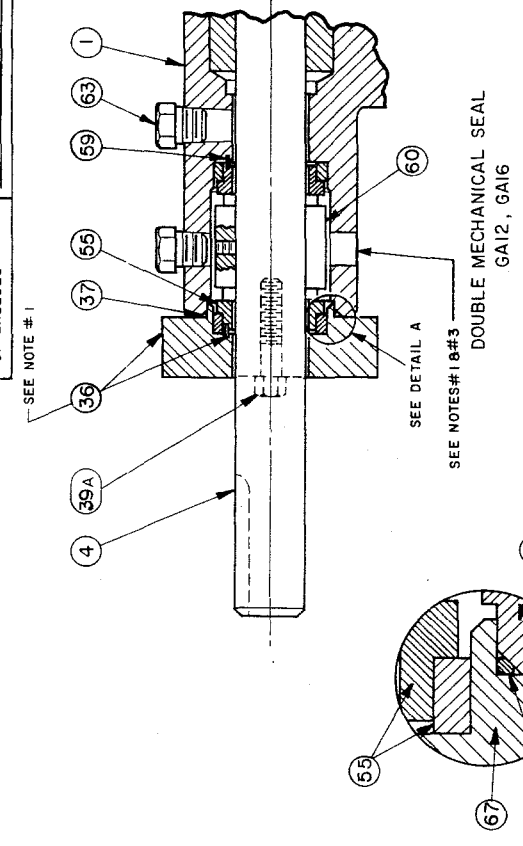
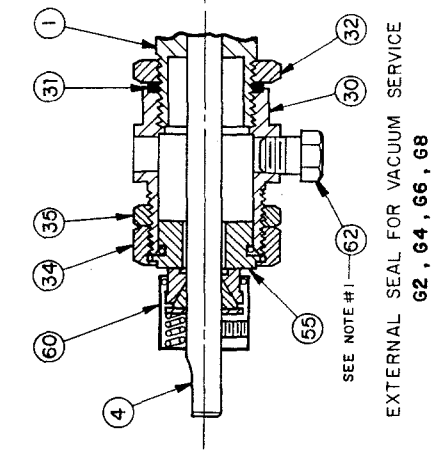
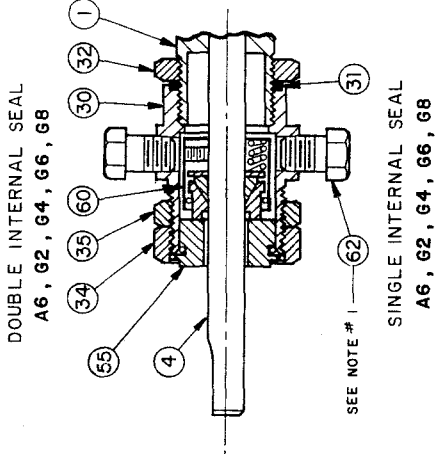
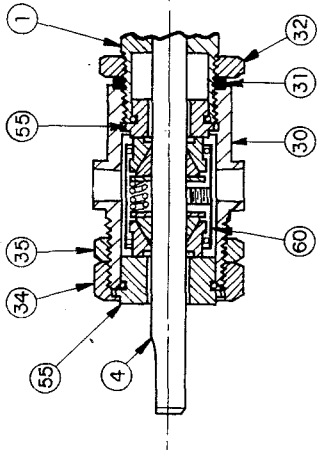
| | | | | | |
|---|-----------------|------|--------------|-----------|------------|
| REF | REVISION UPDATE | DATE | SECTION/PAGE | EFFECTIVE | SUPERSEDES |
| | | | E/GC4/228 | 10/14/98 | NEW |
| <p>ALL DIMENSIONS ARE IN INCHES</p> <p>ECO PULSAR A Unit of Rex Corporation</p> <p>DIMENSIONAL DRAWING GC4 MOTOR MOUNTED 80 METRIC FRAME</p> <p>DWN BY: PFH DATE: 10/21/98</p> <p>SD-2900</p> | | | | | |

| ITEM | PART NAME |
|------|--------------------------------|
| 1 | FRONT HOUSING |
| 4 | DRIVE SHAFT |
| 30 | SEAL HOUSING |
| 31 | GASKET |
| 32 | LOCK NUT, HOUSING |
| 34 | GLAND NUT |
| 35 | LOCK NUT |
| 36 | SEAT RETAINER W/PIN |
| 37 | O-RING, SEAT RETAINER |
| 39A | BOLT, SEAT RETAINER |
| 55 | SEAL SEAT W/SEAL RING GA12, 16 |
| 59 | SEAL SEAT W/O-RING G2, 4, 6, 8 |
| 60 | PIN, PUMP END SEAT |
| 62 | SEAL HEAD ASSEMBLY |
| 63 | PLUG, 1/8" NPT |
| 63 | PLUG, 1/4" NPT |

SECTION / PAGE
C / 4202

EFFECTIVE
02-01-96

SUPERSEDES
01-01-95



- NOTES: 1. PARTS SHOWN 90° OUT OF POSITION.
2. REFER TO STANDARD SALES BILL OF MATERIAL FOR PART NUMBERS AND QUANTITY.
3. FOR ALL DOUBLE MECHANICAL SEALS, ABOVE PUMP DISCHARGE PRESSURE, FLUID TEMPERATURE & FLOW MUST BE ADEQUATE TO MAINTAIN A MAXIMUM TEMPERATURE OF 160°F IN SEAL HOUSING.

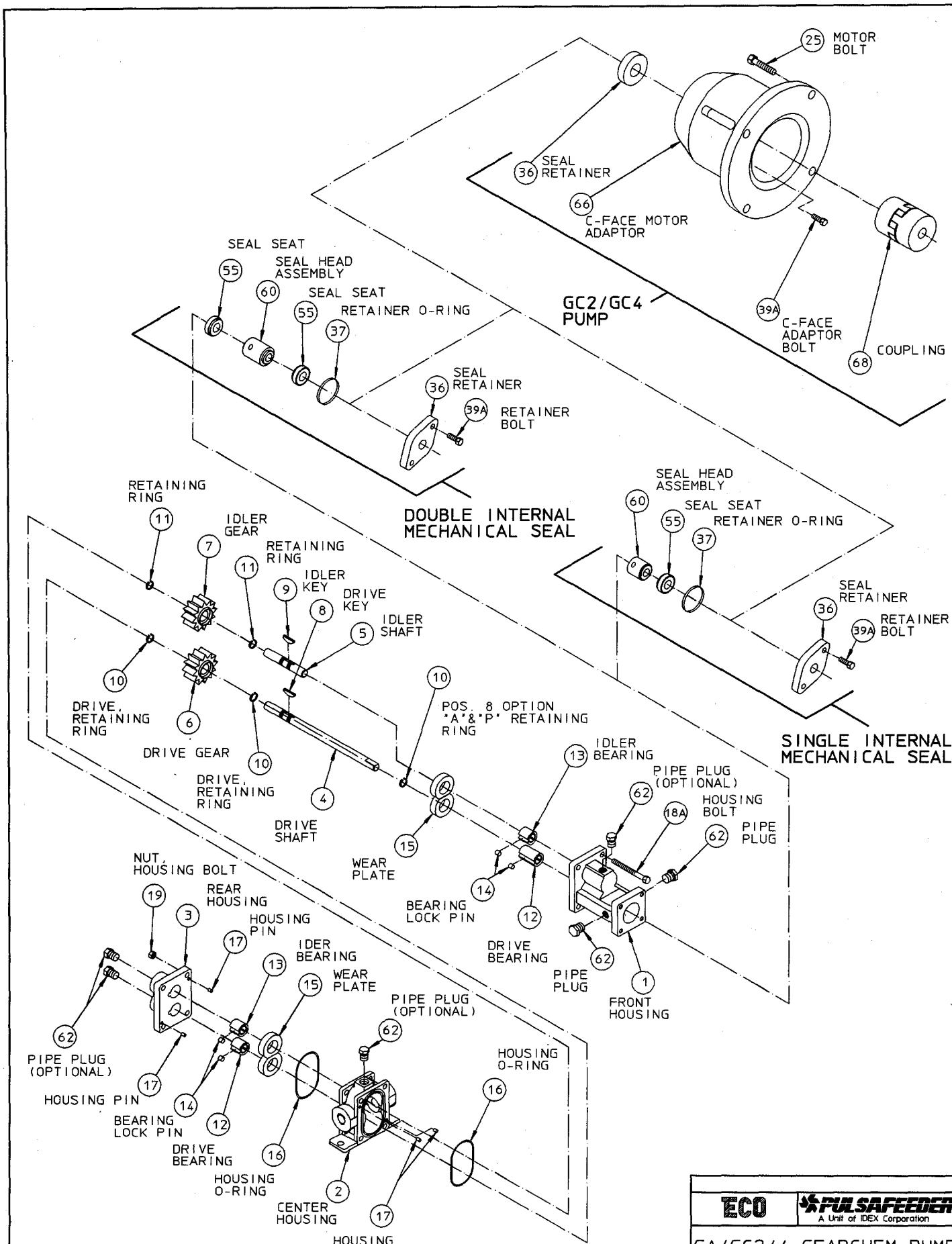
ECO **Pulsafeeder, Inc.**
ROCHESTER, NY USA

**MECHANICAL SEAL ARRANGEMENTS
FOR GEARCHEM/ROTARY PUMPS**

DWN BY: KRY
DATE: 6-19-85

8/95 B REM NIPPLE
7/91 A UPDATED ITEM NUMBERS

SD-2652



ECO **PULSAFEEDER**
A Unit of IDEX Corporation

**GA/GC2/4 GEARCHEM PUMP
EXPLODED VIEW**

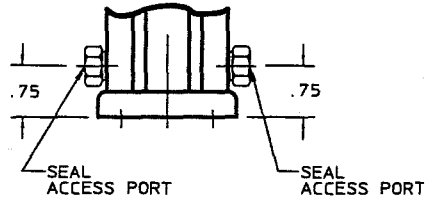
| | |
|--------------|----------------|
| SECTION/PAGE | C/GA4/GC4/4220 |
| EFFECTIVE | 12/01/97 |
| SUPERSEDES | NEW |

| | |
|----------------|---------|
| DWN BY: PFM | SD-2847 |
| DATE: 04/23/97 | |

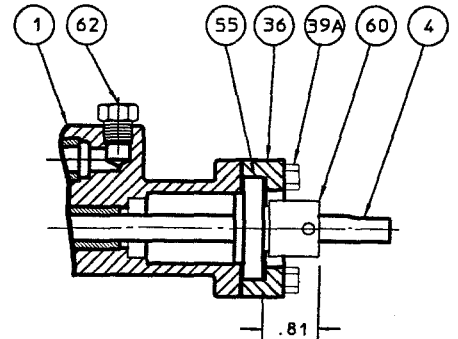
| | | |
|-----|-----------------|------|
| REF | REVISION UPDATE | DATE |
|-----|-----------------|------|

| ITEM | PART NAME |
|------|--------------------|
| 1 | FRONT HOUSING |
| 4 | DRIVE SHAFT |
| 10 | RETAINING RING |
| 36 | SEAL RETAINER |
| 37 | O-RING |
| 39A | BOLT, RETAINER |
| 55 | SEAL SEAT |
| 60 | SEAL HEAD ASSEMBLY |
| 62 | PLUG, 1/8" NPT |

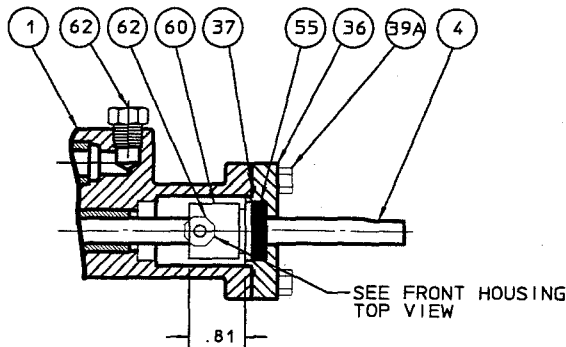
NOTE: FOR CODE E USE EITHER PORT. (SETScrew IS NOT CENTERED IN PORT)



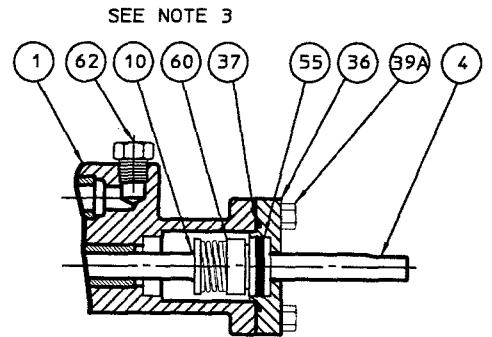
FRONT HOUSING TOP VIEW



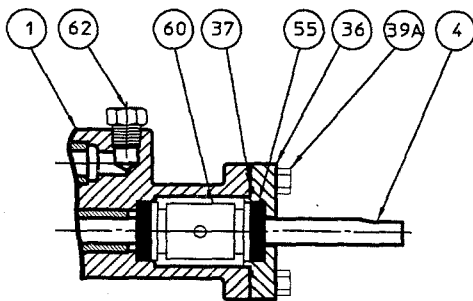
EXTERNAL MECH. SEAL CODE V,W



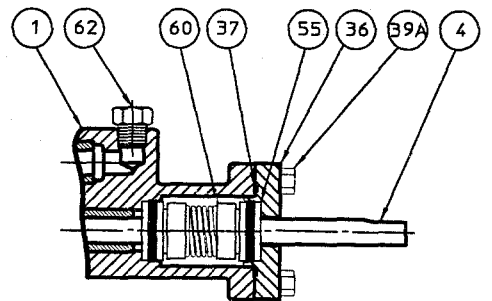
(CENTER SETSCREWS IN PORT OPENING)
SINGLE MECH. SEAL CODE Q,U



SINGLE MECH. SEAL CODE A,P



DOUBLE MECH. SEAL CODE E



DOUBLE MECH. SEAL CODE C

NOTES:

- REFER TO STANDARD SALES BILL OF MATERIALS.
- FOR ALL DOUBLE MECHANICAL SEALS, CIRCULATE SUITABLE FLUID AT 25-30 PSI ABOVE PUMP DISCHARGE PRESSURE. FLUID TEMPERATURE AND FLOW MUST BE ADEQUATE TO MAINTAIN A MAXIMUM TEMPERATURE OF 450° F IN SEAL HOUSING.
- ITEM 10 IS ONLY USED WITH POSITION B SEAL OPTION "A" & "P".

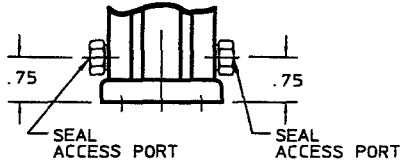
| | | |
|-----|---------------------|----------|
| ▲ | UPDATED PICTORIALLY | 10/14/98 |
| REF | REVISION UPDATE | DATE |

| | |
|--------------|------------|
| SECTION/PAGE | C/GA4/4221 |
| EFFECTIVE | 10/14/98 |
| SUPERSEDES | 12/01/97 |

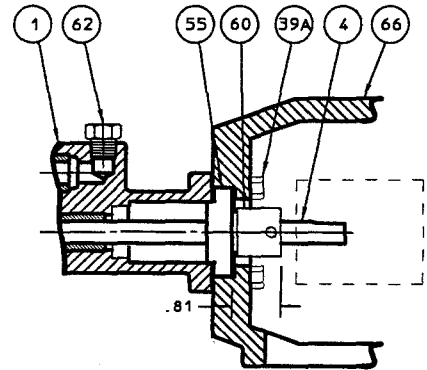
| | |
|---|--|
| ALL DIMENSIONS ARE IN INCHES | |
| ECO | PULSAFEEDER A Unit of IDEX Corporation |
| GA2/GA4 GEARCHEM PUMP SEAL ARRANGEMENTS CROSS SECTIONAL VIEWS | |
| DWN BY: PFM | SD-2849 |
| DATE: 04/15/97 | |

| ITEM | PART NAME |
|------|----------------------|
| 1 | FRONT HOUSING |
| 4 | DRIVE SHAFT |
| 10 | RETAINING RING |
| 36 | SEAL RETAINER |
| 37 | O-RING |
| 39A | BOLT, RETAINER |
| 55 | SEAL SEAT |
| 60 | SEAL HEAD ASSEMBLY |
| 62 | PLUG, 1/8" NPT |
| 66 | C-FACE MOTOR ADAPTOR |

NOTE: FOR CODE E USE EITHER PORT. (SETSCREW IS NOT CENTERED IN PORT)

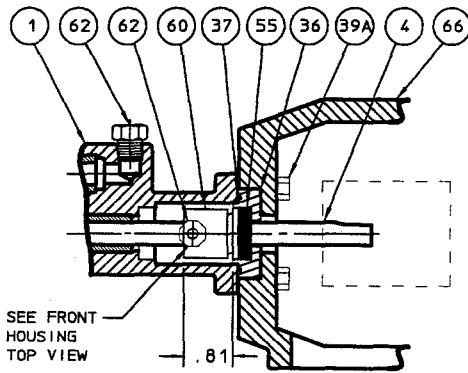


FRONT HOUSING TOP VIEW

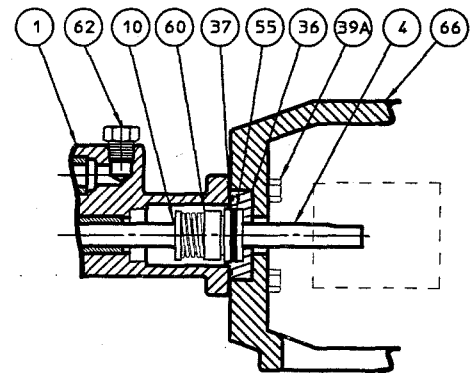


EXTERNAL MECH. SEAL CODE V,W

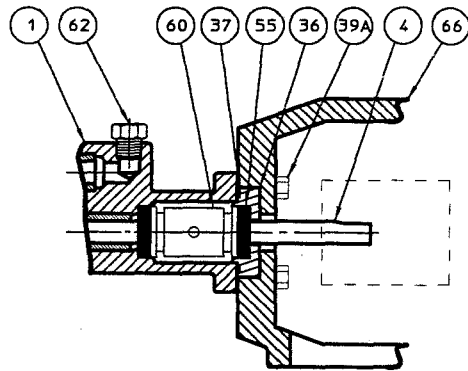
SEE NOTE 3



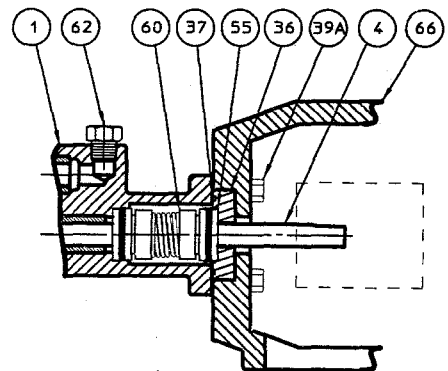
SINGLE MECH. SEAL CODE Q,U



SINGLE MECH. SEAL CODE A,P



DOUBLE MECH. SEAL CODE E



DOUBLE MECH. SEAL CODE C

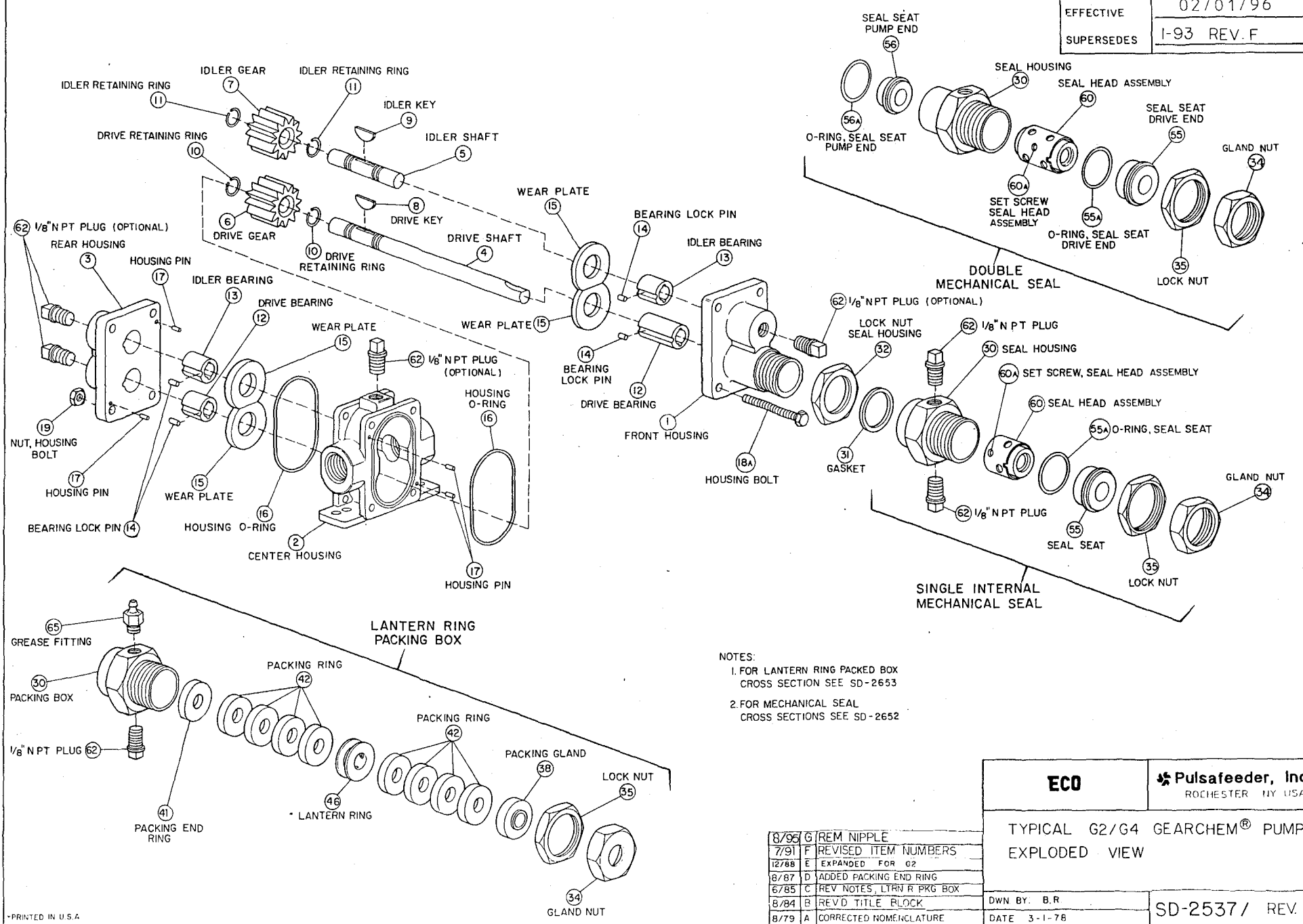
NOTES:

- REFER TO STANDARD SALES BILL OF MATERIALS.
- FOR ALL DOUBLE MECHANICAL SEALS, CIRCULATE SUITABLE FLUID AT 25-30 PSI ABOVE PUMP DISCHARGE PRESSURE. FLUID TEMPERATURE AND FLOW MUST BE ADEQUATE TO MAINTAIN A MAXIMUM TEMPERATURE OF 450° F IN SEAL HOUSING.
- ITEM 10 IS ONLY USED WITH POSITION 8 SEAL OPTION 'A' & 'P'.

| | |
|---|--|
| ALL DIMENSIONS ARE IN INCHES | |
| ECO | PULSAFEEDER A Unit of IDEX Corporation |
| GC2/GC4 GEARCHEM PUMP SEAL ARRANGEMENTS CROSS SECTIONAL VIEWS | |
| DWN BY: PFM | SD-2854 |
| DATE: 05/01/97 | |

| | |
|--------------------|----------------------|
| SECTION/PAGE | C/GC4/4222 |
| EFFECTIVE | 10/14/98 |
| SUPERSEDES | 12/01/97 |
| UPDATED PICTORIALY | 10/14/98 |
| REF | REVISION UPDATE DATE |

| | |
|--------------|-------------|
| SECTION/PAGE | c/4200 |
| EFFECTIVE | 02/01/96 |
| SUPERSEDES | I-93 REV. F |

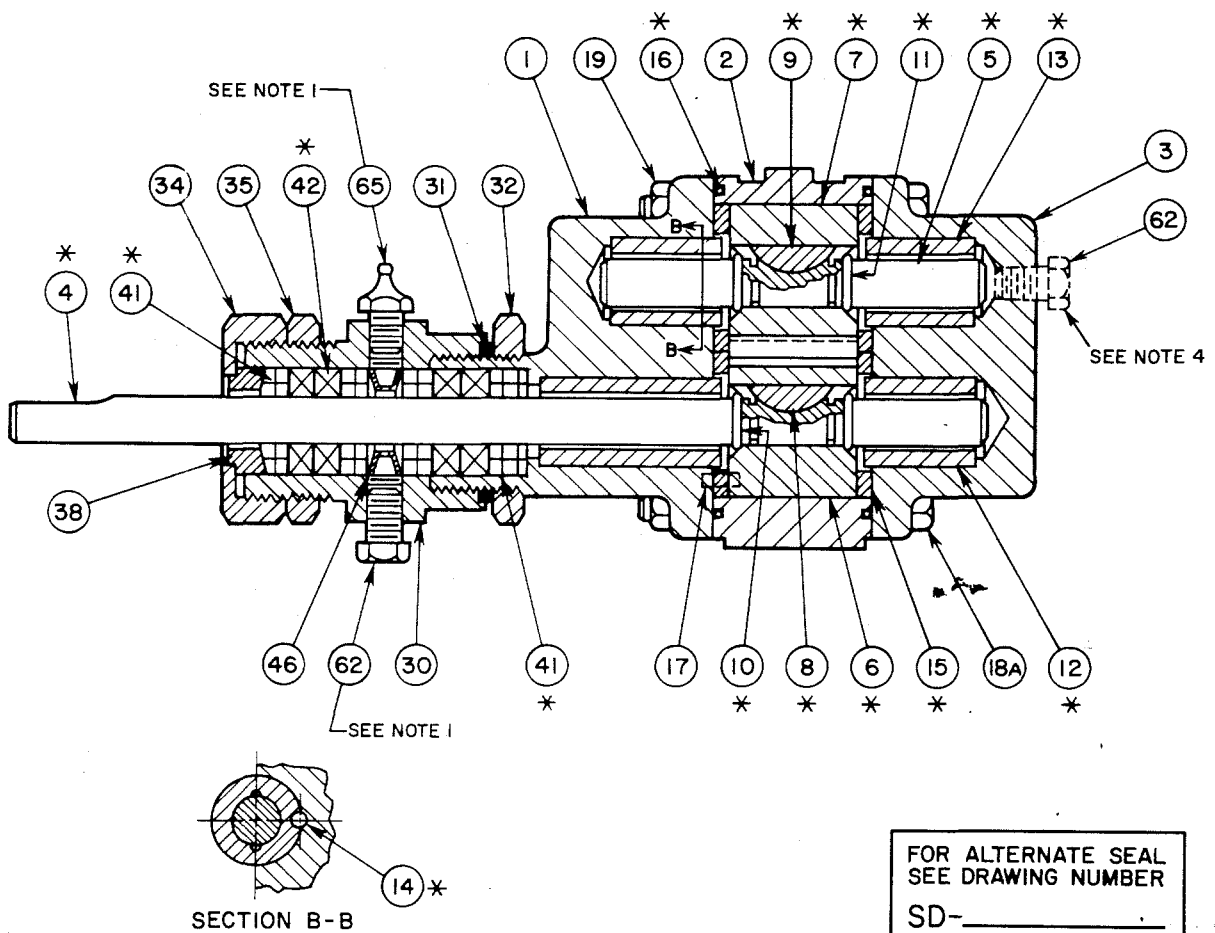


- NOTES:
1. FOR LANTERN RING PACKED BOX CROSS SECTION SEE SD-2653
 2. FOR MECHANICAL SEAL CROSS SECTIONS SEE SD-2652

| | |
|---|--|
| ECO | Pulsafeeder, Inc. ROCHESTER NY USA |
| TYPICAL G2/G4 GEARCHEM® PUMP EXPLODED VIEW | |
| 8/95 G REM NIPPLE | DWN BY: B.R |
| 7/91 F REVISED ITEM NUMBERS | DATE 3-1-78 |
| 12/88 E EXPANDED FOR G2 | |
| 8/87 D ADDED PACKING END RING | |
| 6/85 C REV NOTES, LTRN R PKG BOX | |
| 8/84 B REVD TITLE BLOCK | |
| 8/79 A CORRECTED NOMENCLATURE | |
| SD-2537/ REV. G | |

| ITEM | PART NAME | ITEM | PART NAME |
|------|----------------------|------|-------------------|
| 1 | FRONT HOUSING | 17 | HOUSING PIN |
| 2 | CENTER HOUSING | 18A | HOUSING BOLT |
| 3 | REAR HOUSING | 19 | NUT, HOUSING BOLT |
| 4 | DRIVE SHAFT | 30 | PACKING BOX |
| 5 | IDLER SHAFT | 31 | GASKET |
| 6 | DRIVE GEAR | 32 | LOCK NUT, HOUSING |
| 7 | IDLER GEAR | 34 | GLAND NUT |
| 8 | DRIVE KEY | 35 | LOCK NUT |
| 9 | IDLER KEY | 38 | PACKING GLAND |
| 10 | DRIVE RETAINING RING | 41 | PACKING END RING |
| 11 | IDLER RETAINING RING | 42 | PACKING RING |
| 12 | DRIVE BEARING | 46 | LANTERN RING |
| 13 | IDLER BEARING | 62 | PLUG, 1/8" NPT |
| 14 | BEARING LOCK PIN | 65 | GREASE FITTING |
| 15 | WEAR PLATE | | |
| 16 | HOUSING O-RING | | |

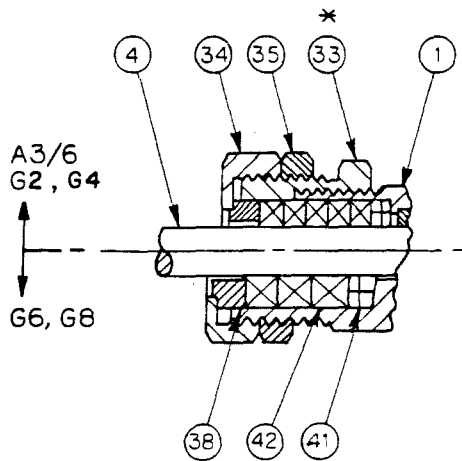
| | |
|--------------|----------|
| SECTION/PAGE | C/4201 |
| EFFECTIVE | 01-01-93 |
| SUPERSEDES | 01-26-81 |



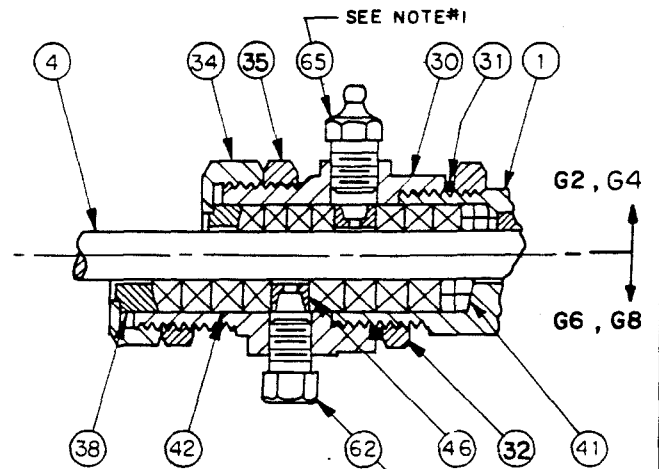
- NOTES: 1. PACKING BOX SHOWN 90° OUT OF POSITION.
 2. * RECOMMENDED SPARE PARTS, AVAILABLE AS OVERHAUL KIT.
 3. MECHANICAL SEALS ARE AVAILABLE.
 4. 1/8" NPT FLUSH PORTS ARE AN AVAILABLE OPTION.

| | |
|---|--|
| ECO | Pulsafeeder, Inc ROCHESTER, NY USA |
| G4 MODEL GEARCHEM® PUMP CROSS SECTION WITH LANTERN RING PACKING BOX | |
| DWN. BY: B.R. | SD-2602 |
| DATE: 10-1-79 | |

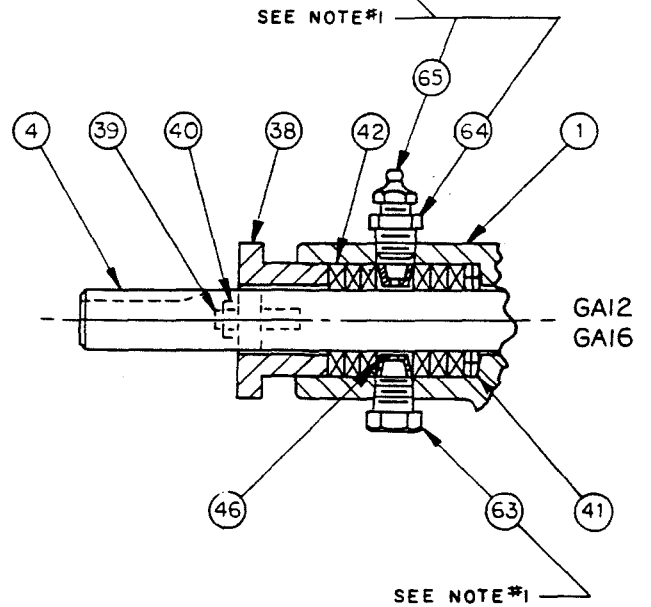
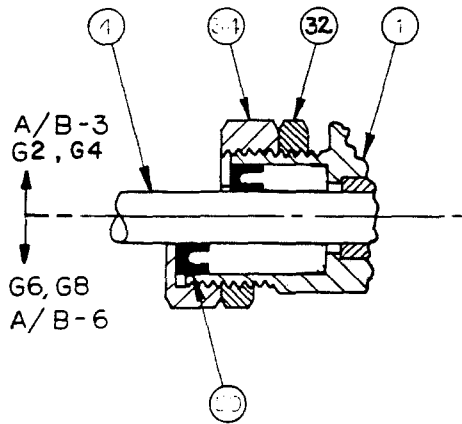
STANDARD STUFFING BOX



LANTERN RING STUFFING BOX



U-CUP LIP SEAL



| | |
|------|---------------------------|
| 65 | GREASE FITTING |
| 64 | ADAPTOR, 1/4" TO 1/8" NPT |
| 63 | PLUG, 1/4" NPT |
| 62 | PLUG, 1/8" NPT |
| 50 | LIP SEAL, U-CUP |
| 46 | LANTERN RING |
| 42 | PACKING RING |
| 41 | PACKING END RING |
| 40 | NUT, STUD |
| 39 | STUD, PACKING GLAND |
| 38 | PACKING GLAND |
| 35 | LOCK NUT |
| 34 | GLAND NUT |
| 33 | HOUSING EXTENSION |
| 32 | LOCK NUT, HOUSING |
| 31 | GASKET |
| 30 | PACKING BOX |
| 4 | DRIVE SHAFT |
| 1 | FRONT HOUSING |
| ITEM | PART NAME |

NOTES:

- 1.) PARTS SHOWN 90° OUT OF POSITION.
- 2.) * ITEM 33 COMPONENT ONLY A3/6, G2/4.
- 3.) REFER TO STANDARD SALES BILL OF MATERIAL FOR PART NUMBERS & QUANTITY.

ALL DIMENSIONS ARE IN INCHES



PACKING ARRANGEMENTS FOR
GEARCHEM/ROTARY PUMPS

| | | | |
|-----|------------------------|------|----------|
| REF | REMOVED ITEM NUMBER 53 | DATE | 04/04/01 |
| | REVISION UPDATE | DATE | |

| | |
|--------------|------------|
| SECTION/PAGE | C/G2/4-203 |
| EFFECTIVE | 04/03/01 |
| SUPSEDES | 12/10/97 |

| | | |
|--------|---------|---------|
| DWN BY | KRY | SD-2653 |
| DATE | 6/19/85 | |

PARTS ARE ON MANUAL DRAWING

NOTES:

- 1.) PARTS SHOWN 90° OUT OF POSITION.
- 2.) * ITEM 33 COMPONENT ONLY A3/6, G2/4.
- 3.) REFER TO STANDARD SALES BILL OF MATERIAL FOR PART NUMBERS & QUANTITY.

| | |
|------|-----------------------|
| 65 | GREASE FITTING |
| 64 | ADAPTOR, 1/4" TO 1/8" |
| 63 | PLUG, 1/4" NPT |
| 62 | PLUG, 1/8" NPT |
| 50 | LIP SEAL, U-CUP |
| 46 | LANTERN RING |
| 42 | PACKING RING |
| 41 | PACKING END RING |
| 40 | NUT, STUD |
| 39 | STUD, PACKING GLAND |
| 38 | PACKING GLAND |
| 35 | LOCK NUT |
| 34 | GLAND NUT |
| 33 | HOUSING EXTENSION |
| 32 | LOCK NUT, HOUSING |
| 31 | GASKET |
| 30 | PACKING BOX |
| 4 | DRIVE SHAFT |
| 1 | FRONT HOUSING |
| ITEM | PART NAME |

ALL DIMENSIONS ARE IN INCHES

ECO

PULSAFEEDER
A Unit of IDEX Corporation

PACKING ARRANGEMENTS FOR
GEARCHEM/ROTARY PUMPS

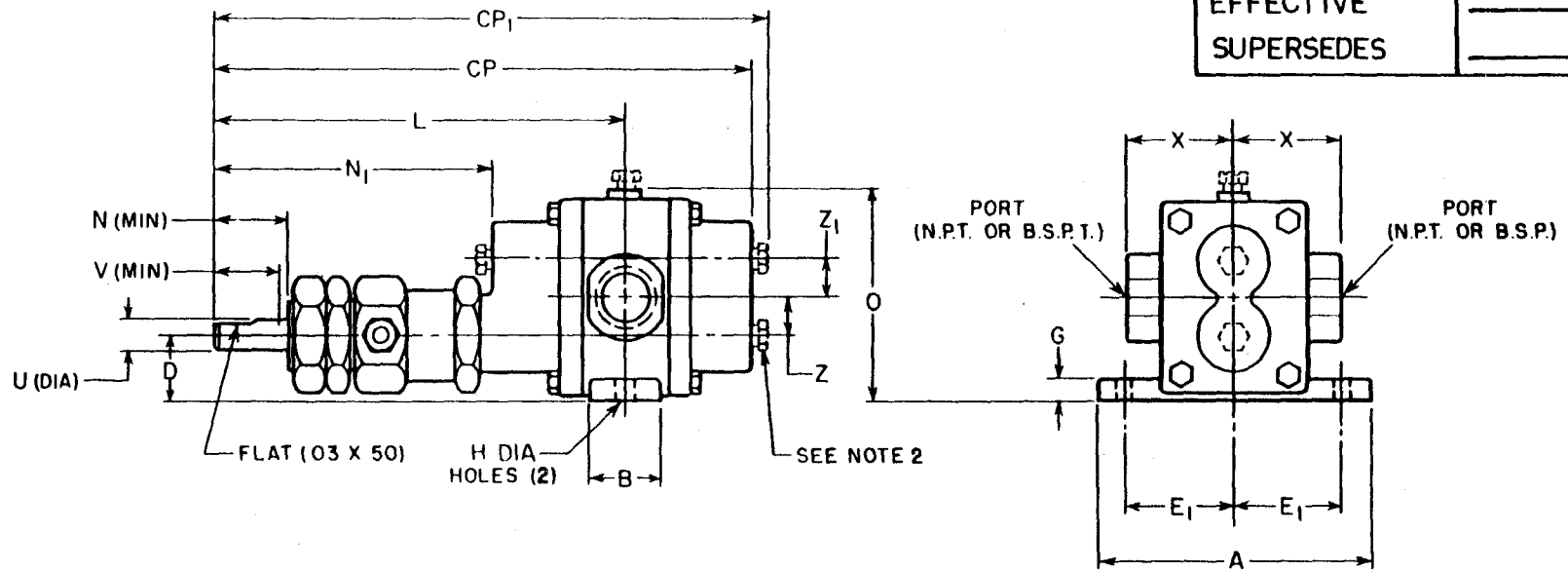
| | | |
|-----|------------------------|------|
| △ | REMOVED ITEM NUMBER 53 | / / |
| REF | REVISION UPDATE | DATE |

| | |
|--------------|----------|
| SECTION/PAGE | |
| EFFECTIVE | 04/03/01 |
| SUPERSEDES | 12/10/97 |

| | |
|---------------|---------|
| DWN BY: KRY | SD-2653 |
| DATE: 6/19/85 | |

SECTION / PAGE
EFFECTIVE
SUPERSEDES

C 4204
12/20/85



- NOTES: 1. SUCTION AND DISCHARGE PORTS DEPENDENT UPON DIRECTION OF ROTATION.
2. BEARING FLUSH PLUGS (1/8 N.P.T.) OPTIONAL.
3. VENT PLUG (1/8 N.P.T.) OPTIONAL.

| PORTS | DIMENSIONS | | | | | | | | | | | | | | | | | |
|-------|--------------|------|------|--|----------------|------|-------|-------|-----|--------|------|----------------|--------|-----------------|---------|------|----------------|-------|
| | INCHES MM | | | | | | | | | | | | | | | | | |
| | A | B | D | | E ₁ | G | H | O | U | X | Z | Z ₁ | CP | CP ₁ | L | N | N ₁ | V |
| 1/2 | 3 1/2 | 1 | 7/8 | | 1 1/2 | 3/16 | 17/64 | 2 7/8 | 3/8 | 1 7/16 | 1/2 | 1/2 | 7 7/16 | 8 | 5 11/16 | 7/8 | 3 5/16 | 13/16 |
| | 88.9 | 25.4 | 22.2 | | 38.1 | 4.7 | 6.7 | 73 | 9.5 | 36.5 | 12.7 | 12.7 | 188.9 | 203.2 | 144.4 | 22.2 | 100 | 20.6 |

ECO

 PULSAFEEDER

G4 SERIES
UNMOUNTED PUMP

CUSTOMER _____

P.O. NO. _____

ECO ORDER NO. _____ PUMP MODEL _____

ITEM NO. _____

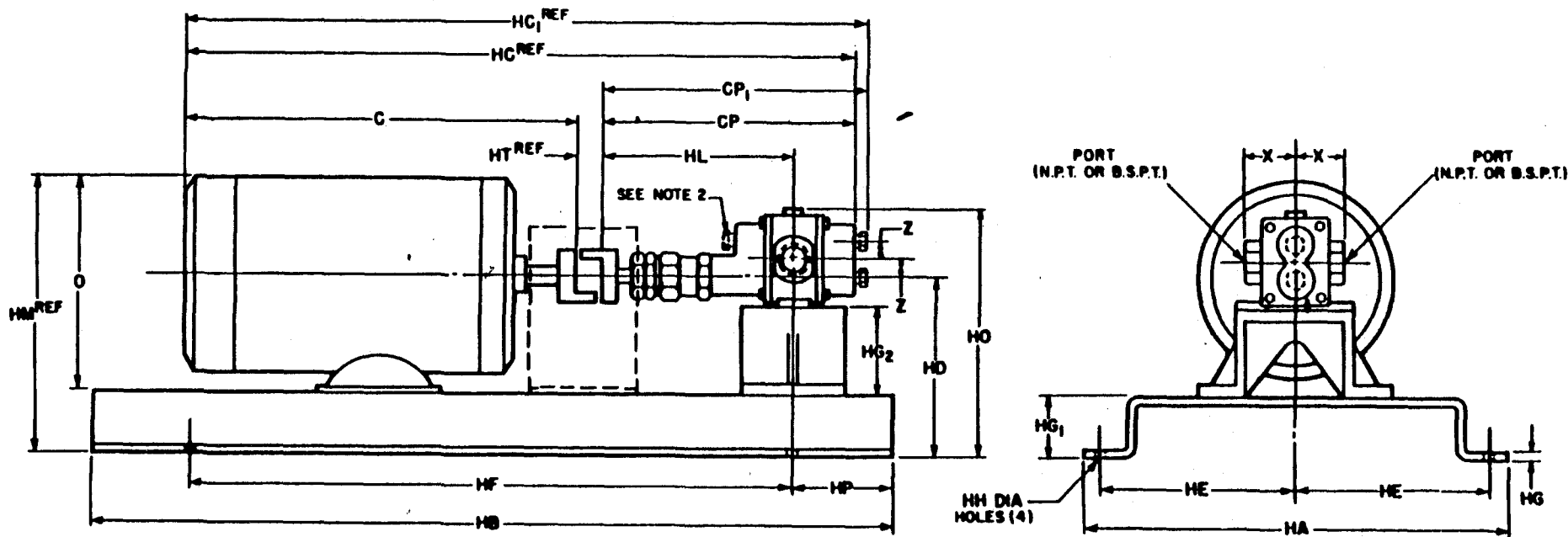
CERTIFIED BY _____

DATE _____

DWN BY:

DATE

SD-2501



NOTES: 1. SUCTION AND DISCHARGE PORTS DEPENDENT UPON DIRECTION OF ROTATION.
 2. BEARING FLUSH PLUGS (1/8 N.P.T.) OPTIONAL.

| DIMENSIONS | | | | | | | | | | | | | | | | | | | | | | |
|------------|-------|--------|-----------------|--------------------|-------|----|-----------------|--------|-------|-------|--------|-----------------|-----------------|--------|--------|----|--------|------|-----|---|--------|------|
| INCHES | | | | | | | | | | | | | | | | | | | | | | |
| PORTS | C | CP | CP ₁ | HA | HB | HC | HC ₁ | HD | HE | HF | HG | HG ₁ | HG ₂ | HH | HL | HM | HO | HP | HT | O | X | Z |
| 1/2 | | 7 7/16 | 8 | 12 1/2 | 24 | | | 5 3/16 | 5 3/8 | 18 | 7 3/16 | 1 1/16 | 2 3/8 | 1 3/32 | 5 3/16 | | 7 3/16 | 3 | 3/4 | | 1 1/16 | 1/2 |
| | | 188.9 | 203.2 | 317.5 | 609.6 | | | 131.7 | 146.0 | 457.2 | 4.7 | 42.8 | 66.6 | 10.3 | 144.4 | | 177.8 | 76.2 | 190 | | 36.5 | 12.7 |
| | | | | | | | | | | | | | | | | | | | | | | |
| MOTOR DATA | FRAME | HP | RPM | PHASE / HZ / VOLTS | | | | | | | | | | | | | | | | | | |
| ENCLOSURE | MFR | | | | | | | | | | | | | | | | | | | | | |

NOTE: PRINTED DIMENSIONS SHOWN FOR MOTOR FRAME SIZES 48, 56, 143T, 145T

ECO PUMP CORPORATION
 SOUTH PLAINFIELD, N.J. U.S.A.

G4 SERIES
 MOUNTED ON BASE PLATE

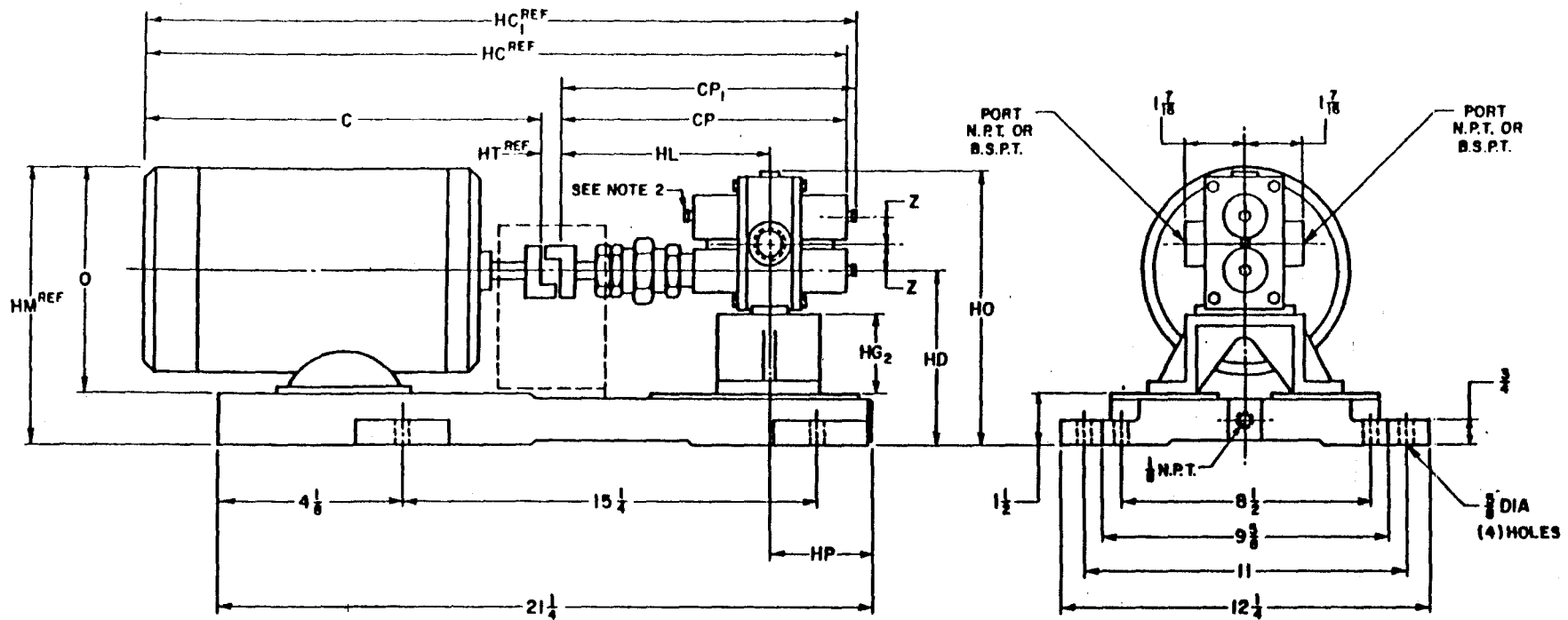
DWN BY: _____
 DATE _____

SD-2502

CUSTOMER _____ P.O. NO. _____

ECO ORDER NO. _____ PUMP MODEL NO. _____

CERTIFIED BY _____ DATE _____



NOTES:

1. SUCTION AND DISCHARGE PORTS DEPENDENT ON DIRECTION OF ROTATION
2. BEARING FLUSH PLUGS ($\frac{1}{8}$ N.P.T.) OPTIONAL

| DIMENSIONS | | | | | | | | | | | | | | |
|---------------|-------|-----------------|-----------------|--------------------|-----------------|-------|-----------------|-----------------|----|------------------|-----------------|---------------|---|---------------|
| PORTS | C | CP | CP ₁ | HC | HC ₁ | HD | HG ₂ | HL | HM | HO | HP | HT | O | Z |
| $\frac{1}{2}$ | | $7\frac{1}{16}$ | 8 | | | 5 | $2\frac{5}{8}$ | $5\frac{1}{16}$ | | $6\frac{13}{16}$ | $3\frac{9}{16}$ | $\frac{3}{4}$ | | $\frac{1}{2}$ |
| | | 188.9 | 203.2 | | | 127.0 | 66.6 | 144.4 | | 173.0 | 90.4 | 19.0 | | 12.7 |
| MOTOR DATA | FRAME | H.P. | R.P.M. | PHASE / HZ / VOLTS | | | | | | | | | | |
| ENCLOSURE | MFR | | | | | | | | | | | | | |

ECO PUMP CORPORATION
SOUTH PLAINFIELD, N.J. U.S.A.

G4 SERIES MOUNTED
ON DRIP RIM BASE

CUSTOMER . _____

P.O. NO. _____

ECO ORDER NO. _____ PUMP MODEL NO. _____

ITEM NO. _____

CERTIFIED BY _____

DATE _____

OWN BY: _____
DATE _____

SD-2535