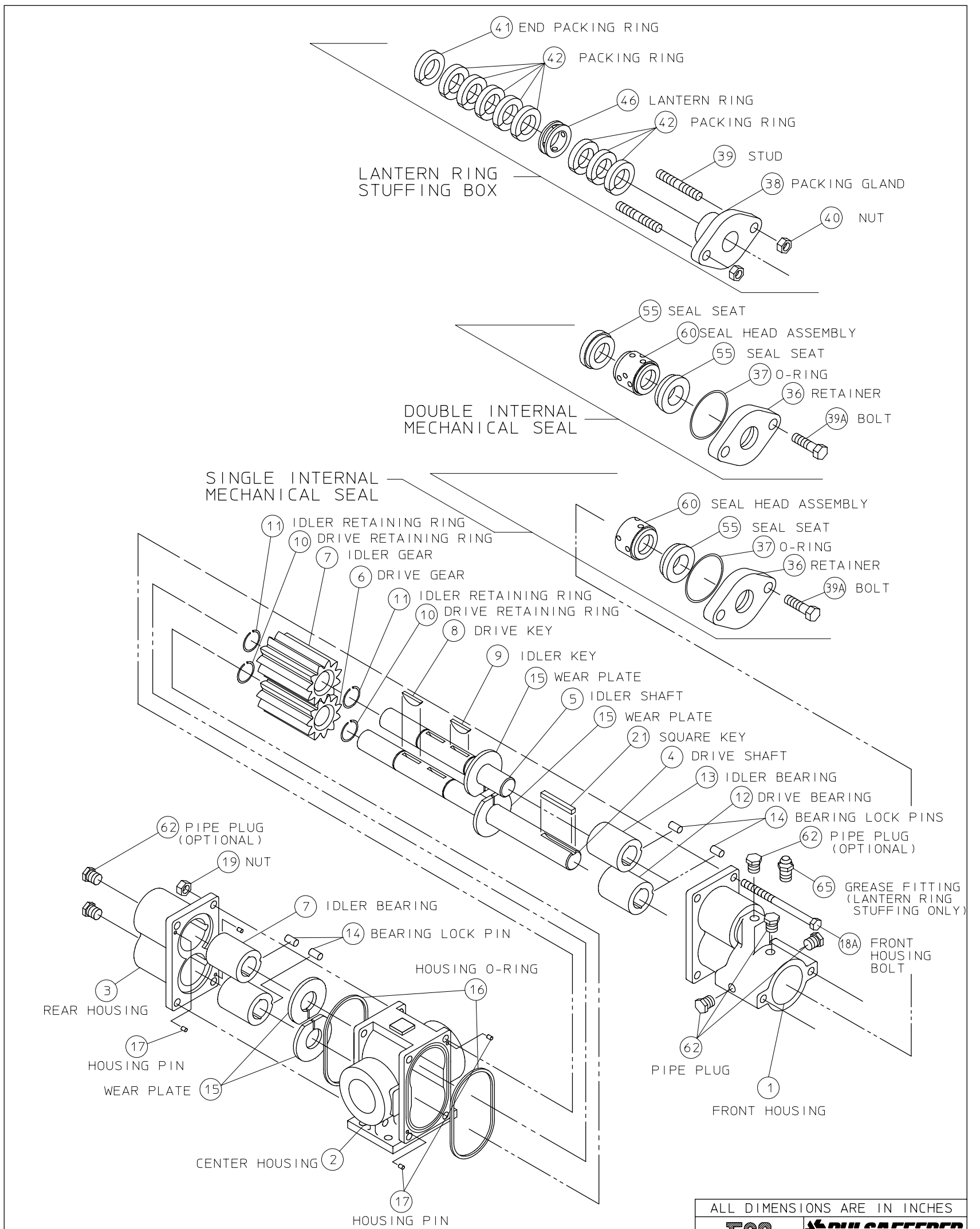


## Table of Contents

---

GH6-8 Exploded View	1
Seal Arrangements Cross Sectional Views	2
Pump Unmounted	3
Pump Mounted on Base Plate	4



ALL DIMENSIONS ARE IN INCHES



GH6-8 GEARCHEM PUMP  
EXPLODED VIEW

SECTION/PAGE	C/GH6-6210
EFFECTIVE	12/01/97
SUPERSEDES	04/04/94

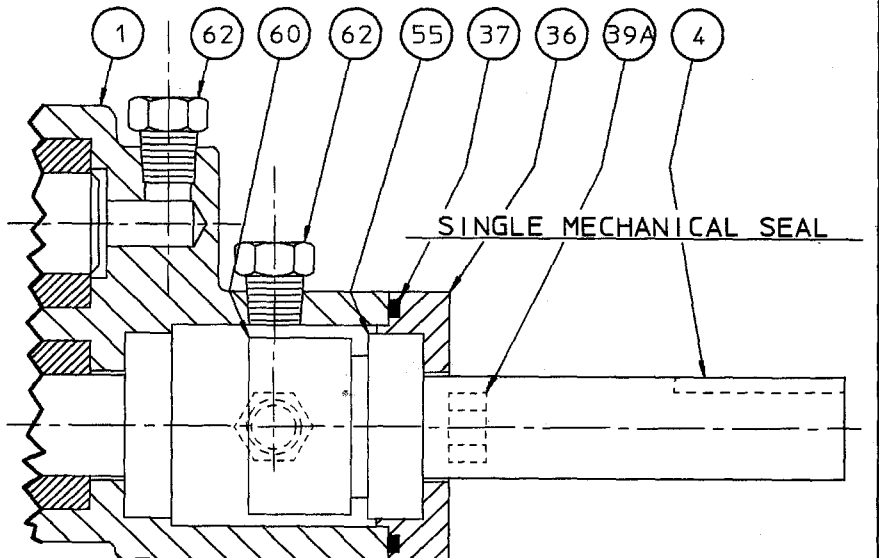
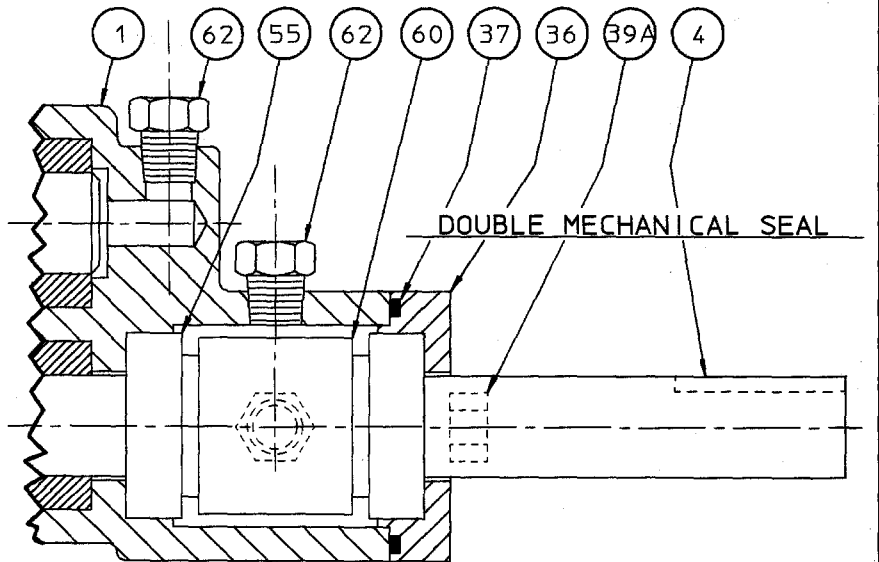
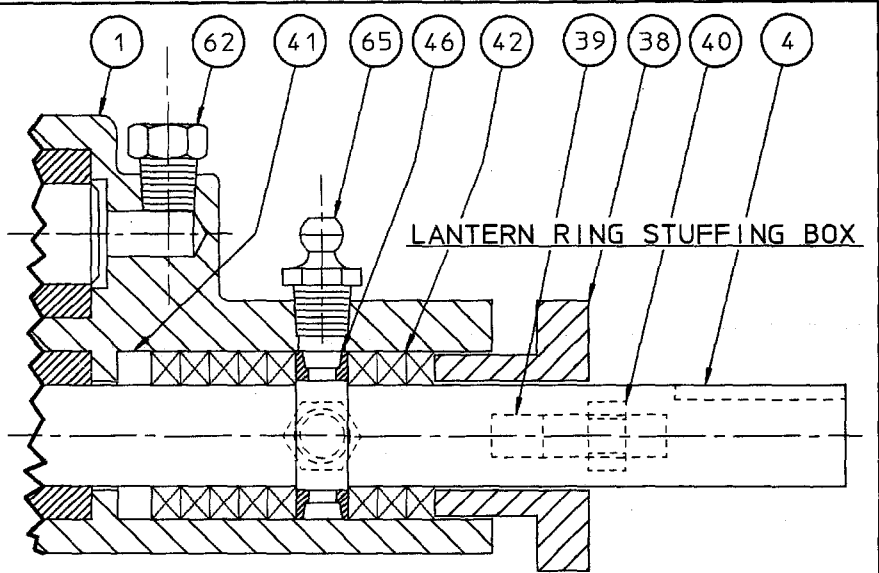
DWN BY: CLA	SD-2775
DATE: 04/04/94	

△	ADDED GH6 PUMP	10/08/97
REF	REVISION UPDATE	DATE

ITEM	PART NAME
1	FRONT HOUSING
4	DRIVE SHAFT
36	SEAT RETAINER
37	O RING, SEAT RETAINER
38	PACKING GLAND
39	STUD, PACKING GLAND
39A	BOLT, SEAT RETAINER
40	NUT, STUD
41	PACKING END RING
42	PACKING RING
46	LANTERN RING
55	SEAT W/SEAL RING
60	SEAL HEAD ASSEMBLY
62	PLUG, 1/8" NPT

NOTES:

- REFER TO STANDARD SALES BILL OF MATERIALS.
- FOR ALL DOUBLE MECHANICAL SEALS, CIRCULATE SUITABLE FLUID AT 25-30 PSI ABOVE PUMP DISCHARGE PRESSURE. FLUID TEMPERATURE AND FLOW MUST BE ADEQUATE TO MAINTAIN A MAXIMUM TEMPERATURE OF 160° IN SEAL HOUSING.



ALL DIMENSIONS ARE IN INCHES

**ECO**

**PULSAFEEDER**  
A Unit of IDEX Corporation

GH6-8 GEARCHEM PUMP  
SEAL ARRANGEMENTS  
CROSS SECTIONAL VIEWS

DWN BY: CLA

SD-2778

DATE: 04/04/94

SECTION/PAGE C/GH6-6211

EFFECTIVE 12/01/97

SUPERSEDES 02/01/96

△	ADDED GH6 PUMP	10/08/97
REF	REVISION UPDATE	DATE

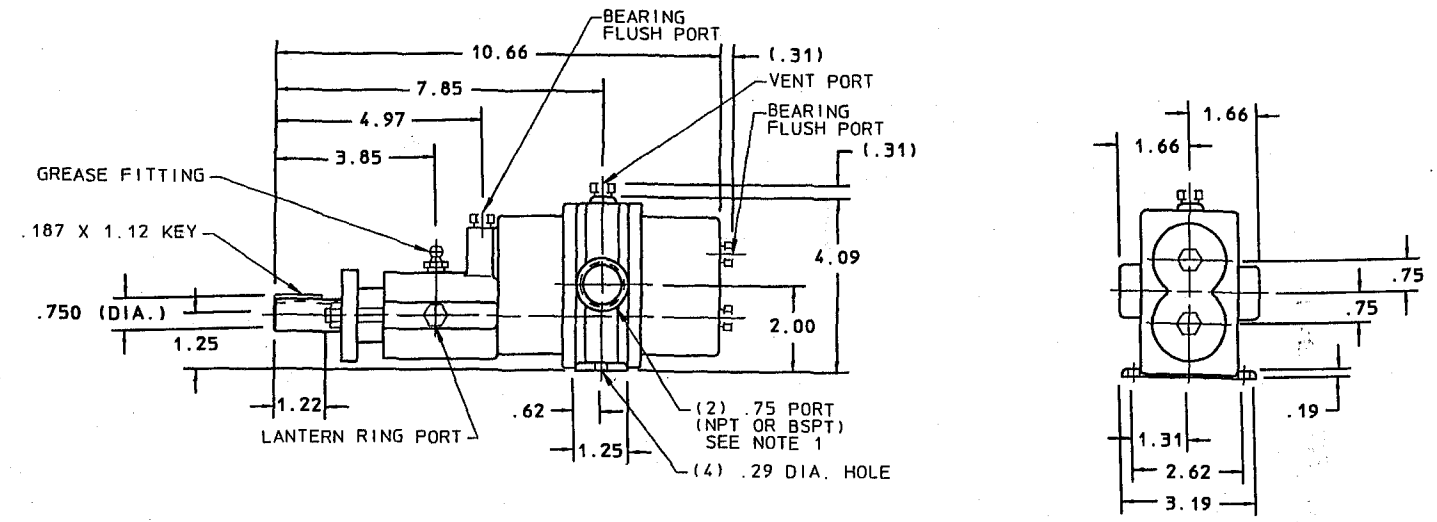
REF A  
 ADD. OPTIONAL FLANGE  
 REVISION UPDATE  
 03/27/01  
 DATE

SECTION/PAGE  
 EFFECTIVE  
 SUPERSEDES  
 C/GH6-6310  
 03/27/01  
 12/01/97

DATE: 10/08/97  
 SD-2869

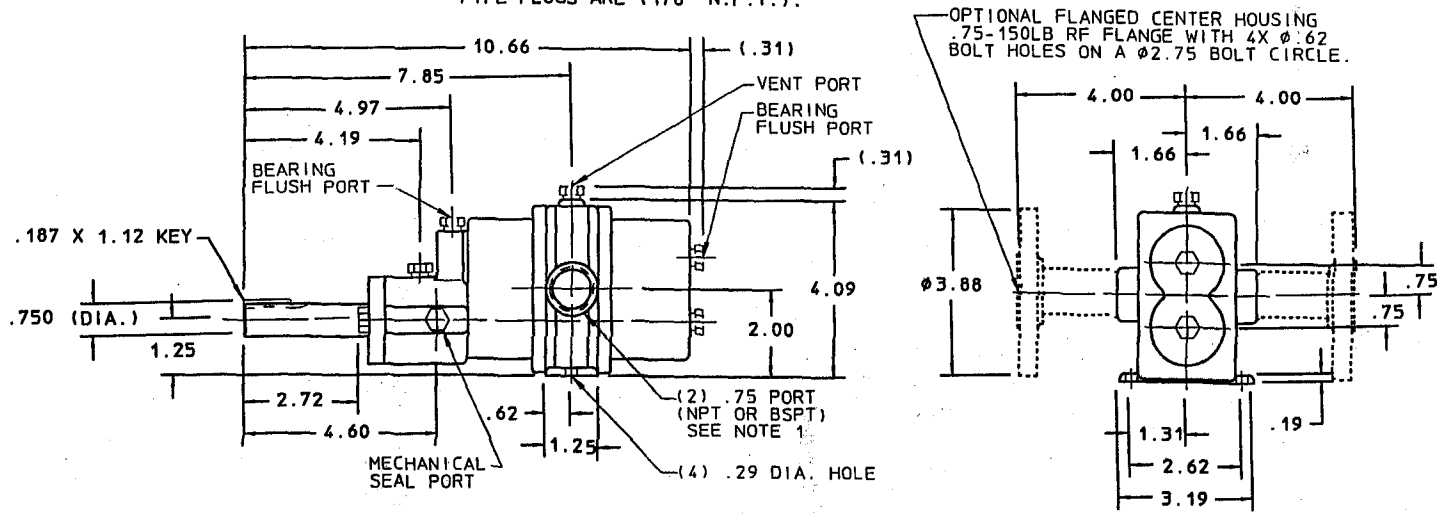
ALL DIMENSIONS ARE IN INCHES  
**ECO**  
**WILSAFERM**  
 A Unit of DEK Corporation

DIMENSIONAL DRAWING  
 GH6 PUMP UNMOUNTED



### GH6 LANTERN RING STUFFING BOX

- NOTE:
- 1.) SUCTION AND DISCHARGE PORTS DEPENDENT ON DIRECTION OF ROTATION.
  - 2.) ALL STANDARD AND OPTIONAL PIPE PLUGS ARE (1/8" N.P.T.).

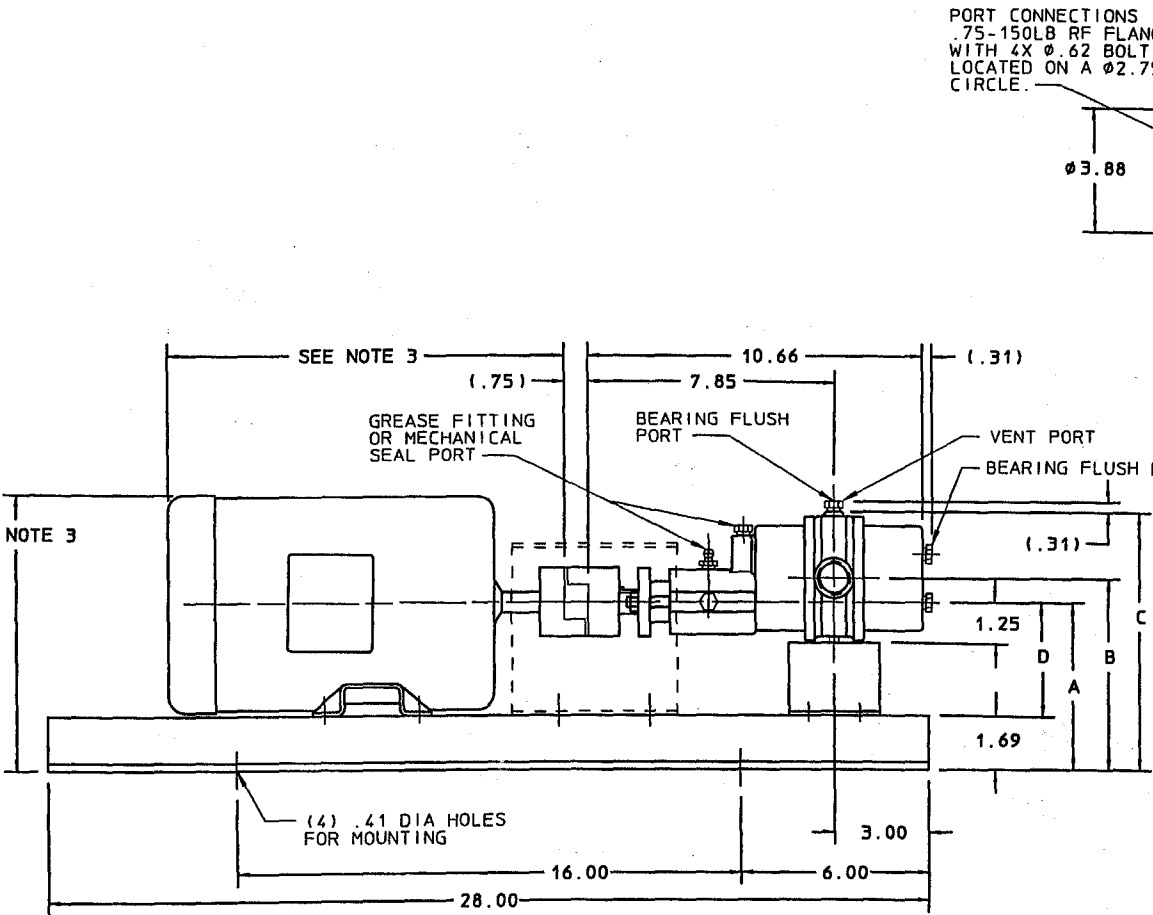


### GH6 SINGLE / DOUBLE MECHANICAL SEAL

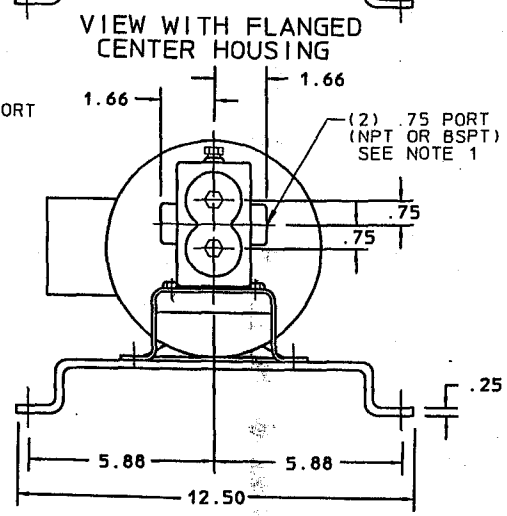
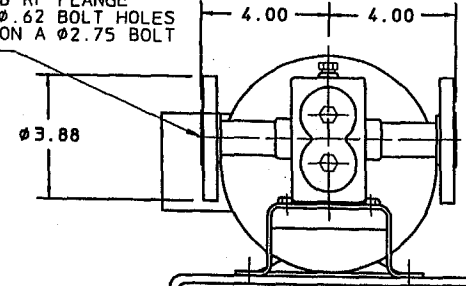
REF A ADD FLANGED VIEW  
 REVISION UPDATE  
 DATE 03/27/01

SECTION/PAGE C/GH6-6311  
 EFFECTIVE 03/27/01  
 SUPERSEDES 12/01/97

DWN BY: PFM  
 DATE: 10/07/97  
 SD-2870



PORT CONNECTIONS  
 .75-150LB RF FLANGE  
 WITH 4X Ø.62 BOLT HOLES  
 LOCATED ON A Ø2.75 BOLT  
 CIRCLE.



ALL DIMENSIONS ARE IN INCHES

**ECO**

**SPIN SAFETY**  
 A Unit of ESI Corporation

DIMENSIONAL DRAWING  
 GH6 PUMP MOUNTED  
 ON BASE PLATE

PUMP SERIES	DIMENSIONS			MOTOR FRAME	INFO. D
	A	B	C		
GH6	5.19	5.94	8.03	56	3.50
	5.19	5.94	8.03	143/5T	3.50
	6.19	6.94	9.03	182/4T	4.50

- NOTES:
- SUCTION AND DISCHARGE PORTS DEPENDENT ON DIRECTION OF ROTATION.
  - ALL STANDARD AND OPTIONAL PIPE PLUGS ARE (1/8" N.P.T.).
  - MOTOR DIMENSIONS VARY BY MANUFACTURER. CONSULT MANUFACTURERS DRAWING FOR SPECIFICS. BASE WILL ACCOMMODATE MOTOR FRAME SIZES, 56, 143/5T, AND 182/4T.