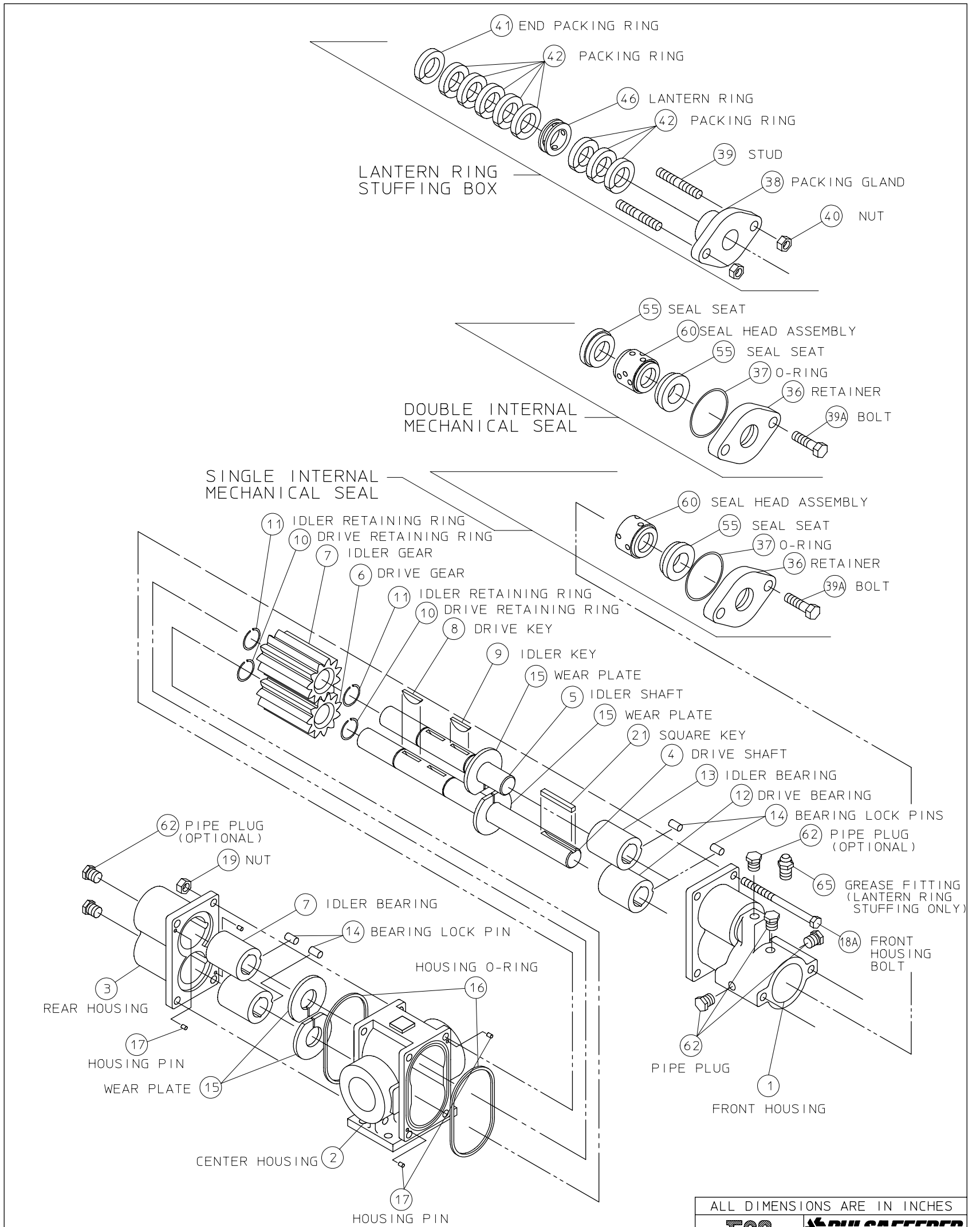


Table of Contents

Exploded view	1
Pump mounted on Base plate	2
Pump Unmounted	3



ALL DIMENSIONS ARE IN INCHES
ECO **PULSAFEEDER**
 A Unit of IDEX Corporation

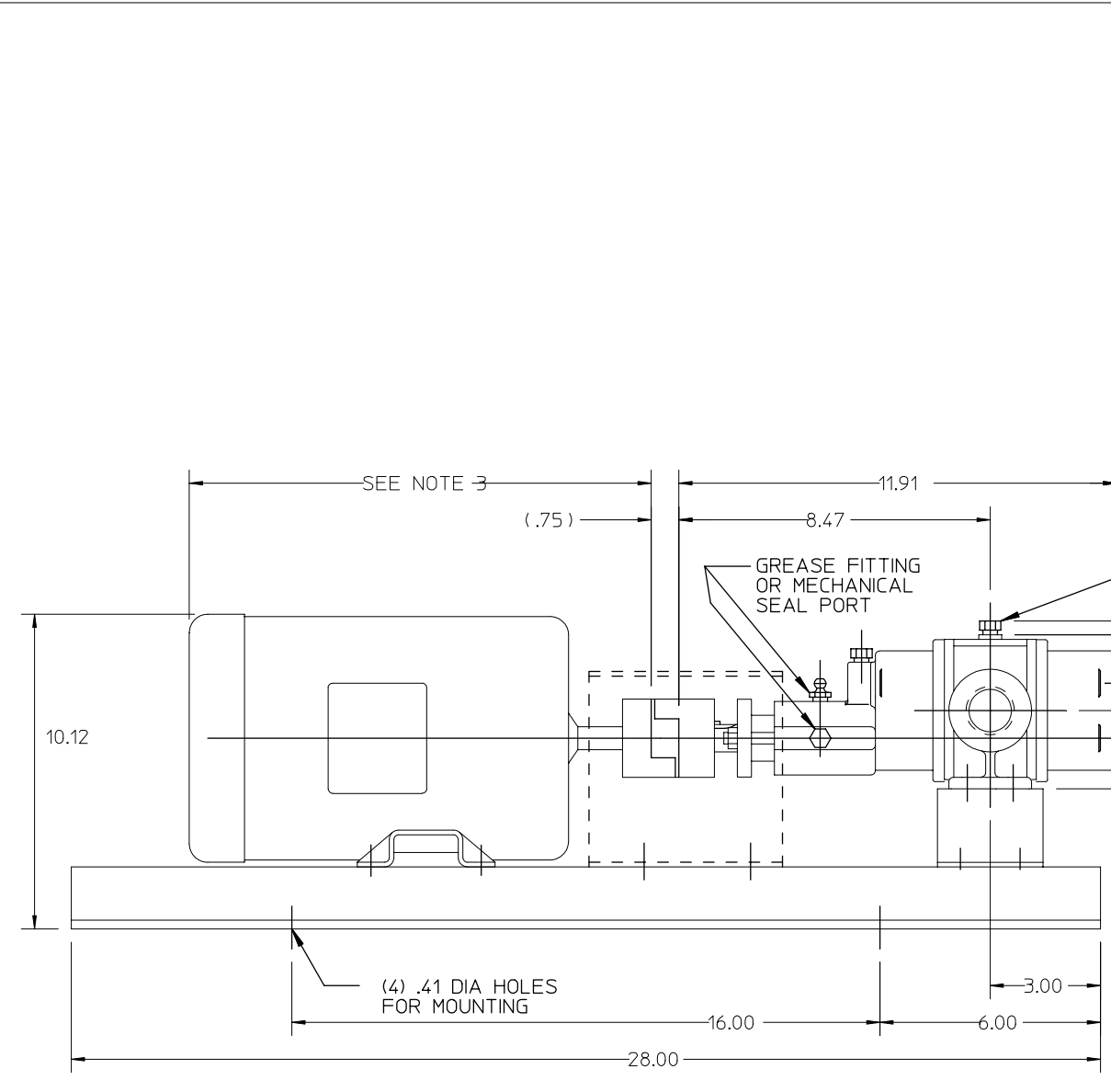
GH6-8 GEARCHEM PUMP
 EXPLODED VIEW

DWN BY: CLA
 DATE: 04/04/94
 SD-2775

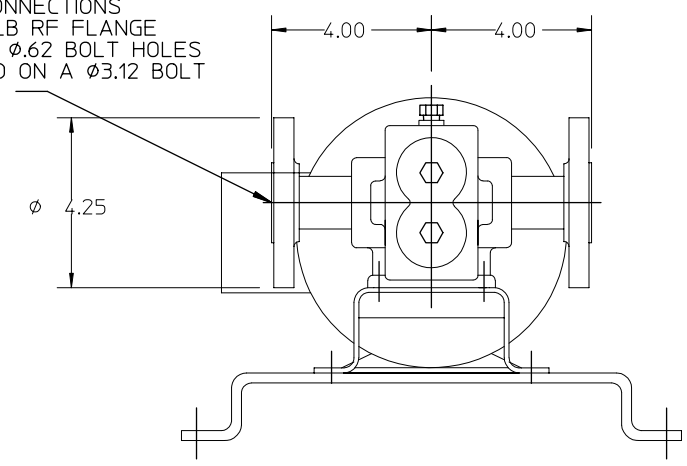
SECTION/PAGE	C/GH6-6210
EFFECTIVE	12/01/97
SUPERSEDES	04/04/94

△ ADDED GH6 PUMP	10/08/97
REF REVISION UPDATE	DATE

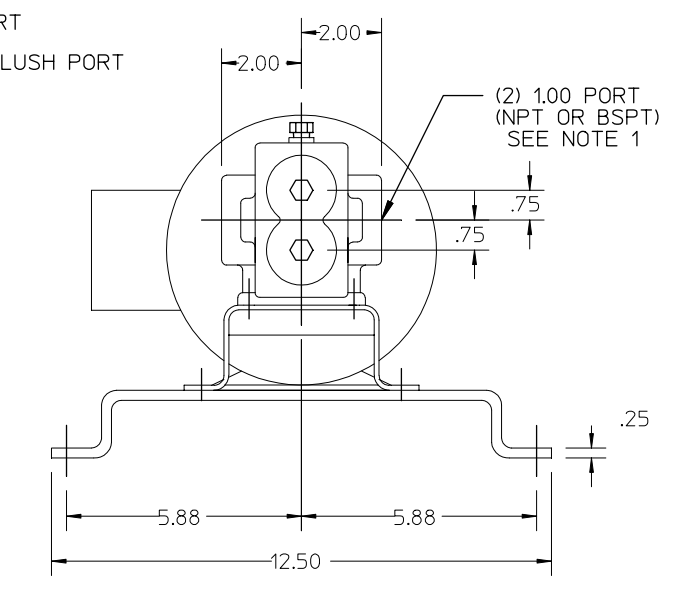
REF	REVISION UPDATE	DATE	SECTION/PAGE	EFFECTIVE	SUPERSEDES
A			C/GH8-8311	02/01/96	04/04/94



PORT CONNECTIONS
1.00-150LB RF FLANGE
WITH 4X Ø.62 BOLT HOLES
LOCATED ON A Ø3.12 BOLT
CIRCLE.



VIEW WITH FLANGED
CENTER HOUSING



ALL DIMENSIONS ARE IN INCHES

ECO
A Unit of IDEX Corporation

DIMENSIONAL DRAWING
GH8 PUMP MOUNTED
ON BASE PLATE

DWN BY: CLA
DATE: 04/04/94

SD-2768

PUMP SERIES	DIMENSIONS			MOTOR INFO.	
	A	B	C	FRAME	D
GH8	5.19	5.94	8.00	56	3.50
	5.19	5.94	8.00	143/5T	3.50
	6.19	6.94	9.00	182/4T	4.50

NOTES:

- SUCTION AND DISCHARGE PORTS DEPENDENT ON DIRECTION OF ROTATION.
- ALL STANDARD AND OPTIONAL PIPE PLUGS ARE (1/8" N.P.T.).
- MOTOR DIMENSIONS VARY BY MANUFACTURER. CONSULT MANUFACTURERS DRAWING FOR SPECIFICS. BASE WILL ACCOMMODATE MOTOR FRAME SIZES; 56, 143/5T, AND 182/4T.

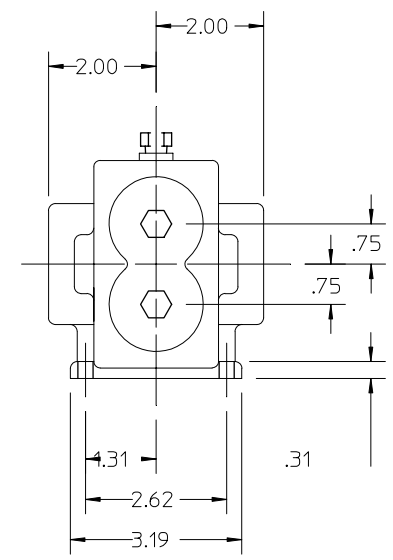
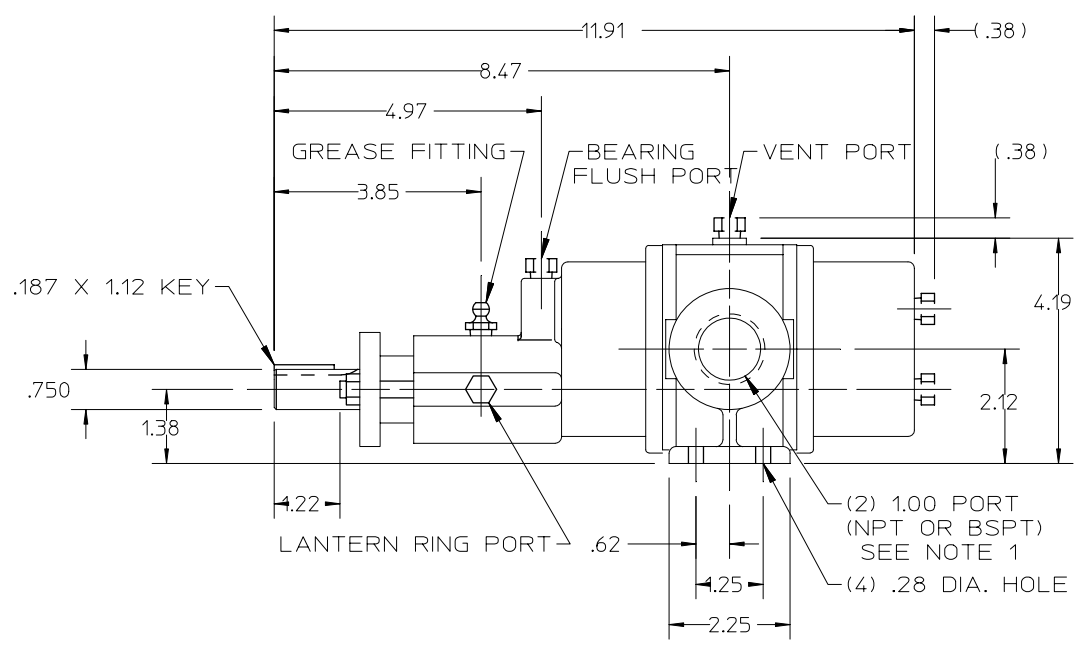
REF	ADD OPTIONAL FLANGE	03/27/01	SECTION/PAGE	C/GH8-8310	DWN BY: CLA	SD-2767
	REVISION UPDATE	DATE	EFFECTIVE	03/27/01	DATE: 04/04/94	
			SUPERSEDES	12/02/94		

ALL DIMENSIONS ARE IN INCHES

ECO

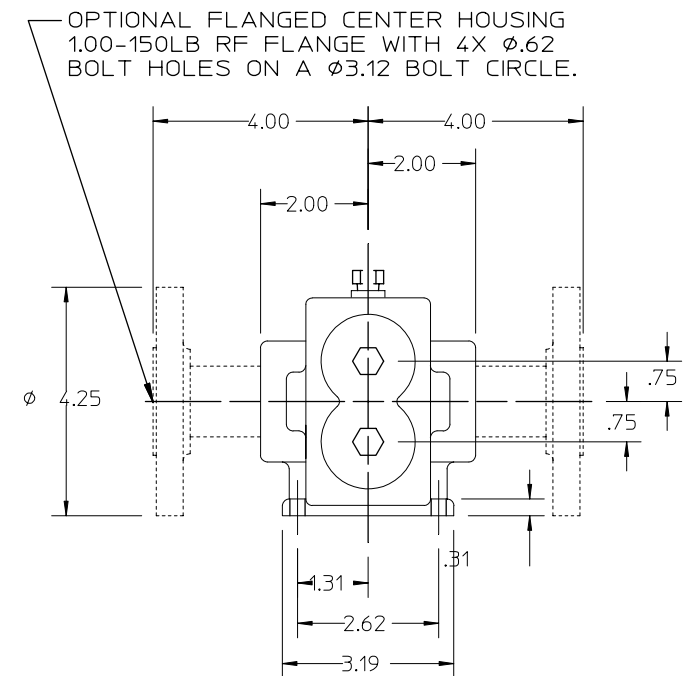
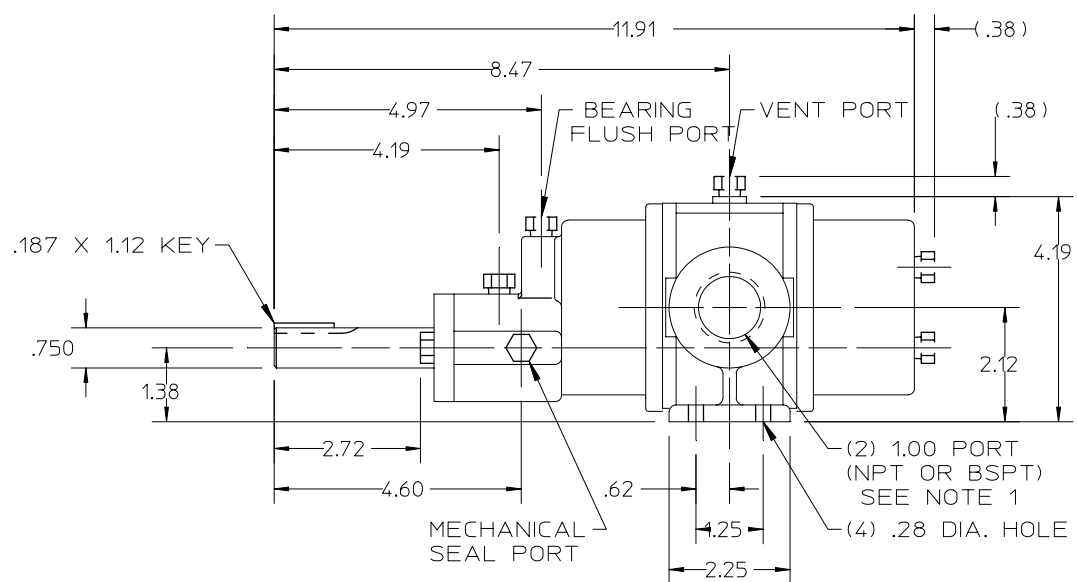
PULSAFEEDER
A Unit of IDEX Corporation

DIMENSIONAL DRAWING
GH8 PUMP UNMOUNTED



GH8 LANTERN RING STUFFING BOX

- NOTE:
- 1.) SUCTION AND DISCHARGE PORTS DEPENDENT ON DIRECTION OF ROTATION.
 - 2.) ALL STANDARD AND OPTIONAL PIPE PLUGS ARE (1/8" N.P.T.).



GH8 SINGLE / DOUBLE MECHANICAL SEAL