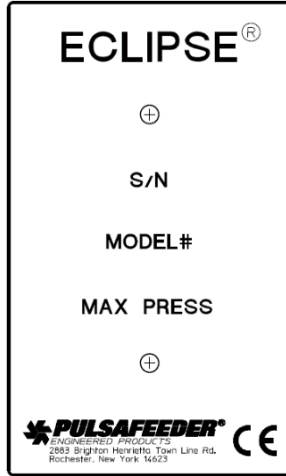


# E125 / EH125 Eclipse Pump Non-metallic

## Pump Nameplate



## Eclipse Model Structure

1	2/3	4	5	6	7	8	9
E	125					-	

## Pump Model Identification

Position	Code	Specifies	Options
1	E EH	Model	E – Eclipse EH - Eclipse Hypo
2 and 3	125	Pump Size	125 – Max Capacity 33 gpm (125 lpm)
4	N	Housing Material	N – PVDF, FLANGED
5	L, B	Bearings	L – Carbon B – Silicon Carbide
6	V, E, K	O-rings	V – Viton E – EPDM K – Perfluoroelastomer
7	O, P R, W Y	Motor Mounting	O – NEMA 143/5TC-182/4C P – IEC 100/112 B3/B14 R – NEMA 182-184TC W – NEMA 213TC – 215TC Y – No Motor Mounting Kit
8	-		Dash

## Pump Model Identification - Continued

Position	Code	Specifies	Options
9	X,A,N,B X-ATEX  A-ATEX N-ATEX B-ATEX	Option	<p><b>X</b> – Ceramic shafts and Teflon gears</p> <p><b>A</b> - Bearing Flush Port (1x 1/8" FNPT / BSPT Connection located in the center of the front cover)</p> <p><b>N</b> – Pump Wet End Only</p> <p><b>B</b> - Combination Of 9th Position Options "A" AND "N"</p> <p><b>X-ATEX</b> - Standard Pump with ATEX Directive - CE Ex II 2G T6 II 2D T6</p> <p><b>A-ATEX</b> - Bearing Flush with ATEX Directive - CE Ex II 2G T6 II 2D T6</p> <p><b>N-ATEX</b> - Wet End Only with ATEX Directive - CE Ex II 2G T6 II 2D T6</p> <p><b>B-ATEX</b> - Wet End Only and Bearing Flush with ATEX Directive - CE Ex II 2G T6 II 2D T6</p>

# KOPkit Part Number Identification

## Eclipse KOP kit Structure

1	2/3	4	5	6	Suffix
E	125				-

Position	Code	Specifies	Options
1	E EH	Model	E – Eclipse EH- Eclipse Hypo
2 and 3	125	Pump Size	125 – Max Capacity 33 gpm (125 lpm)
4	X,	Housing Material	X – All <b>Non-Metallic</b> pumps
5	L, B	Bearings	L – Carbon B – Silicon Carbide
6	V, E, K, U	O-rings	V – Viton E – EPDM K – Perflouroelastomer
Suffix	LTE STD PRO		

### KOPKit Suffix Selection Bills of Material

(Select one option)

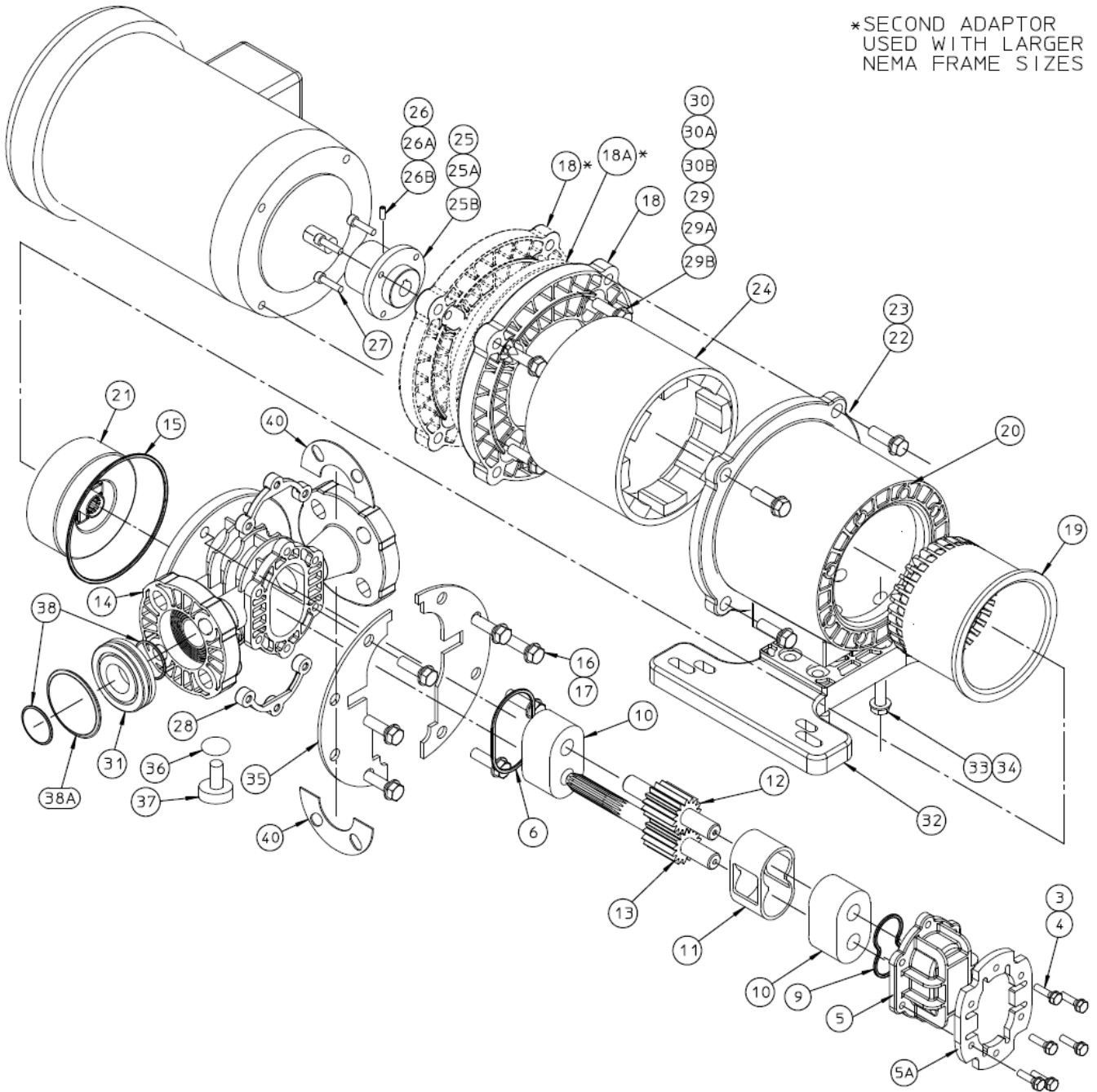
	Description	Item	Qty
<b>-LTE</b>	Liner, Housing	11	1
	Gear Assembly, Drive	13	1
	Gear Assembly, Idler	12	1
	O-ring Cover	6	1

	Description	Item	Qty
<b>-STD</b>	Bearing	10	2
	Liner, Housing	11	1
	Gear Assembly, Drive	13	1
	Gear Assembly, Idler	12	1
	O-ring Cover	6	1
	O-ring Compression	9	2

	Description	Item	Qty
<b>-PRO</b>	Bearing	10	2
	Liner, Housing	11	1
	Gear Assembly, Drive	13	1
	Gear Assembly, Idler	12	1
	O-ring Cover	6	1
	O-ring Compression	9	2
	Bolt	3	6
	Washer	4	6
	Plate, Nut	28	2

# Parts Diagram and List, Eclipse 125 Non-Metallic

\*SECOND ADAPTOR  
USED WITH LARGER  
NEMA FRAME SIZES



**Eclipse Pump Series Size 125 Non-Metallic**  
**Consolidated Bill of Material**

**Position 1,2,3,4,5 – Pump Housing**  
**Material/Ports**

**Position 5 Base Pump Material**  
**and Port Connection**  
**PVDF Flanged (N)**

E125	Description	Item	Part Number:	Material	Qty
<b>Common Parts</b>	Bolt	3	W770429-188	Stainless Steel	6
	Washer	4	NG990019-188	Stainless Steel	6
	Plate, Nut	28	NG990011-188	Stainless Steel	2
	Plate, Reinforcement	35	NG120008-000	Stainless Steel	2
	Plate, Cover Reinforcement	5A	NG120014-188	Stainless Steel	1
	Plate, Flange Reinforcement	40	NG120015-188	Stainless Steel	4
	Bolt	16	W770429-188	Stainless Steel	8
	Washer	17	NG990019-188	Stainless Steel	8
	Gasket, Flange	31	NG130002-VTN	Viton A	2
	Name Plate	1	NG550004-304	Stainless Steel	1
	Drive Screw	2	W771000-188	Stainless Steel	2
	Can Containment	19	NG210007-PVD	Carbon filled PVDF	1
	Driven Magnet Assembly	21	NG200033-TEF	Neo / ETFE	1
	Drive Magnet	24	NG200037-STL	Neo / Steel	1
	Adapter, Spool	20	NG110011-ALU	Aluminum	1
	Bolt	33	W770425-188	Stainless Steel	4
	Washer	34	NG990019-188	Stainless Steel	4
	Base	32	NG970001-ALU	Aluminum	1
Drain Plug	37	NG990014-FTE	ETFE	1	
<b>N</b>	Housing, Center Flanged	14	NG040024-PVD	Carbon filled PVDF	1
	Cover, Front	5	NG020004-PVD	Carbon filled PVDF	1

**Position 5 - Bearing Materials**

	Description	Item	Part Number:	Material	Qty
<b>Common Parts</b>	Liner, Housing	11	NG220007-FTE	ETFE	1
	Gear Assembly, Drive	13	NG010025-FTE	ETFE / ALA	1
	Gear Assembly, Idler	12	NG010024-FTE	ETFE / ALA	1
<b>L</b>	Bearing	10	NG080007-CBN	Carbon -92	2
<b>B</b>	Bearing		NG080007-SIC	Silicon Carbide	2

**Position 6 - O-ring Material Selection**

	Description	Item	Part Number:	Material	Qty
<b>V</b>	O-ring Containment Can	15	NP440163-VTN	Viton	1
	O-ring Cover	6	NP440155-VTN	Viton	1
	O-ring Drain Plug	36	W059100-VTN	Viton	1
	O-ring Compression	9	NP440152-VTN	Viton	1
	Kit, Flange Gasket	31 / 38	NG450002-VTN	TFE / Viton A	2
<b>E</b>	O-ring Containment Can	15	NG440163-N0R	EPDM	1
	O-ring Cover	6	NG440155-N0R	EPDM	1
	O-ring Drain Plug	36	W059100-N0R	EPDM	1
	O-ring Compression	9	NG440152-N0R	EPDM	1
	Kit, Flange Gasket	31 / 38	NG450002-N0R	TFE / EPDM	2
<b>K</b>	O-ring Containment Can	15	NG440163-KLZ	Perfluoroelastomer	1
	O-ring Cover	6	NG440155-KLZ	Perfluoroelastomer	1
	O-ring Drain Plug	36	NG440012-KLZ	Perfluoroelastomer	1
	O-ring Compression	9	NG440152-KLZ	Perfluoroelastomer	1

	Kit, Flange Gasket	31 / 38	NG450002-KLZ	TFE / Perfluoroelastomer	2
--	--------------------	---------	--------------	-----------------------------	---

**Eclipse Pump Series Size 125 Non-Metallic**  
**Consolidated Bill of Material - Continued**

**Position 7 - NEMA C-Face and IEC B3/14 Metric Frame Magnetic Coupling Arrangement**  
**143TC - 182C NEMA frame components**

	Description	Item	Part Number	Material	Qty
O	Coupling Hub	25A	NG940003-STL	Steel	1
	Set Screw	26A	W771004-031	Steel	1
	Bolt	29A	W770425-188	Stainless Steel	4
	Washer	30A	NG990019-188	Stainless Steel	4
	Bolt	22	W770428-188	Stainless Steel	4
	Washer	23	NG990019-188	Stainless Steel	4
	Adapter, Motor	18	NG110008-PET	Polyester	1
	Screw	27	W770021-188	Stainless Steel	4
<b>Motor Mount Kit #</b>	<b>E125XXXO</b>				

**182TC - 184TC NEMA frame components**

	Description	Item	Part Number:	Material	Qty
R	Coupling Hub	25	NG940007-STL	Steel	1
	Set Screw	26	W771004-046	Steel	1
	Bolt (motor)	29	W770438-188	Stainless Steel	4
	Washer (motor)	30	W771035-188	Stainless Steel	4
	Bolt (spool)	22	W770428-188	Stainless Steel	4
	Adapter, Motor	18	NG110008-PET	Polyester	1
	Washer (base)	23	NG990019-188	Stainless Steel	4
	Screw	27	W770021-188	Stainless Steel	4
<b>Motor Mount Kit #</b>	<b>E125XXXR</b>				

**213TC - 215TC NEMA frame components**

	Description	Item	Part Number:	Material	Qty
W	Coupling Hub	25B	NG940015-000	Steel	1
	Set Screw	26B	W771004-041	Steel	1
	Adapter, Motor	18	NG110008-PET	Polyester	2
	Mate, Motor Adaptor	18A	NG110023-STL	Steel	1
	Bolt (motor)	29	W770438-188	Stainless Steel	4
	Washer (motor)	30	W771035-188	Stainless Steel	4
	Bolt - spool	22	W770062-188	Stainless Steel	4
	Washer - spool	23	NG990019-188	Stainless Steel	4
	Screw	27	W770021-188	Stainless Steel	4
<b>Motor Mount Kit #</b>	<b>E125XXXW</b>				

**100/112 IEC B14 frame components**

	Description	Item	Part Number:	Material	Qty
P	Coupling Hub	25B	NG940006-STL	Steel	1
	Set Screw	26B	NP991004-018	Steel	1
	Bolt - motor	29B	W770534-188	Stainless Steel	4
	Washer - motor	30B	NP991018-188	Stainless Steel	4
	Bolt - spool	22	W770438-188	Stainless Steel	4
	Adapter, Motor	18	NG110008-PET	Polyester	1
	Washer - base	23	NG990019-188	Stainless Steel	4
	Screw	27	W770021-188	Stainless Steel	4
<b>Motor Mount Kit #</b>	<b>E125XXXP</b>				

### KOPKit Suffix Selection Bills of Material

(Select one option)

	Description	Item	Qty
<b>-LTE</b>	Liner, Housing	11	1
	Gear Assembly, Drive	13	1
	Gear Assembly, Liner	12	1
	O-ring Cover	6	1

	Description	Item	Qty
<b>-STD</b>	Bearing	10	2
	Liner, Housing	11	1
	Gear Assembly, Drive	13	1
	Gear Assembly, Liner	12	1
	O-ring Cover	6	1
	O-ring Compression	9	2

	Description	Item	Qty
<b>-PRO</b>	Bearing	10	2
	Liner, Housing	11	1
	Gear Assembly, Drive	13	1
	Gear Assembly, Liner	12	1
	O-ring Cover	6	1
	O-ring Compression	9	2
	Bolt	3	6
	Washer	4	6
	Plate, Nut	28	2

### REVISION CONTROL

REV.	DATE	DESCRIPTION OF CHANGE(s)	APPROVAL
3	6/27/22	Changed Oring from Kalrez to Perflouorelastomer	JM
4	3/12/26	Updated file location.	EE