

Table of Contents

Pump Mounted	1
Pump Unmounted	2
Pump Mounted Metric Input Shaft	3
Pump Unmounted Metric Input Shaft	4

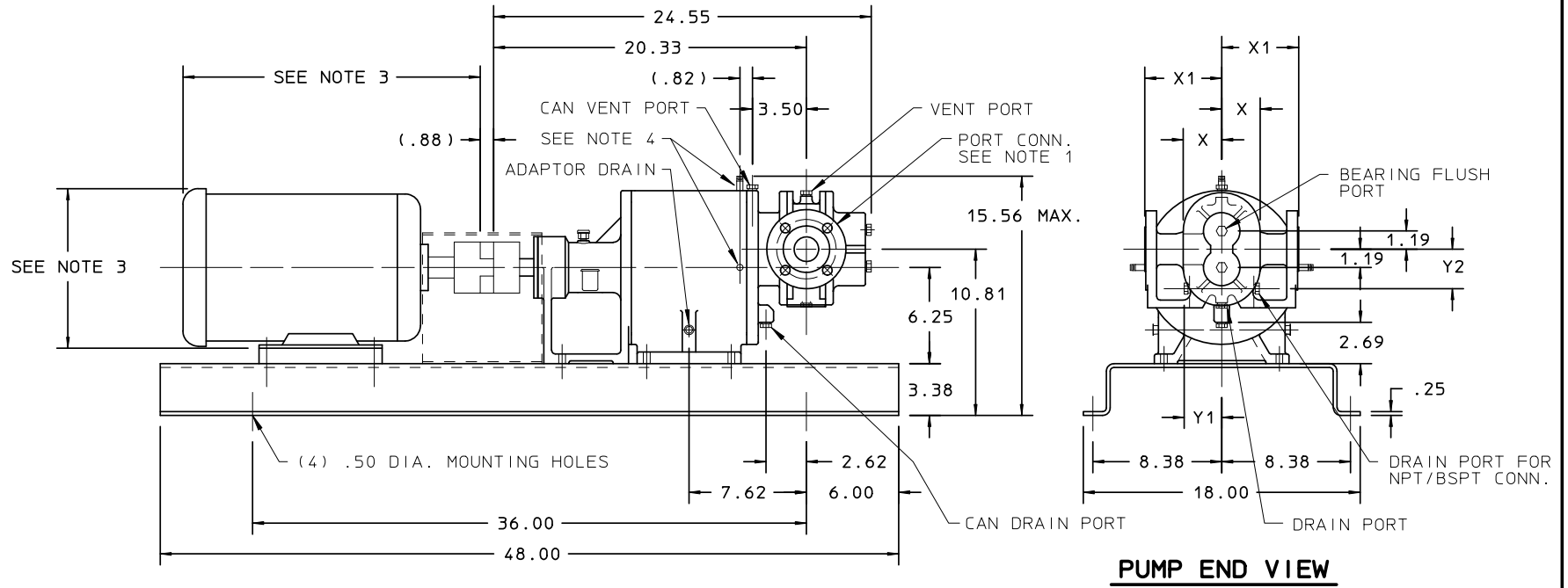
REF /A/ UPDATED DRAWING
 REVISION UPDATE

08/14/13
 DATE

SECTION/PAGE
 EFFECTIVE
 SUPPERSEDES

08/14/13
 04/01/98

ALL DIMENSIONS ARE IN INCHES
Ischem
PULSAFEENER
 A Unit of IDEX Corporation
 DIMENSIONAL DRAWING
 GMC 12 PUMP MOUNTED
 DWN BY : CLA
 DATE : 04/04/94
SD-2774



PUMP SERIES	PORT CONNECTION	X	DIMENSIONS		
			X1	Y1	Y2
GMC 12	1.50 NPT OR BSPT	2.50	-----	2.56	2.44
	1.50-150# RF FLANGE	-----	5.00	-----	-----

NOTE:

- 1.) SUCTION AND DISCHARGE PORTS DEPENDENT ON DIRECTION OF ROTATION.
- 2.) ALL STANDARD AND OPTIONAL PIPE PLUGS ARE (1/4" N.P.T.).
- 3.) MOTOR DIMENSIONS VARY BY MANUFACTURER, CONSULT MANUFACTURERS DRAWING FOR SPECIFICS. BASE WILL ACCOMMODATE MOTOR FRAME SIZES, 182T, 184T, 213T, 215T, 254T AND 256T.
- 4.) (2) 1/8" NPT PIPE CONNECTION PORTS ARE STANDARD WITH DOUBLE CAN OPTION. STANDARD ASSEMBLY IS LEFT/TOP CONNECTION PORT ORIENTATION WHEN VIEWED FROM PUMP END. CUSTOMER TO SPECIFY WHEN RIGHT/TOP CONNECTION PORT ORIENTATION IS REQUIRED.

REF /A
 UPDATED DRAWING
 REVISION UPDATE

08/14/13
 DATE

SECTION/PAGE
 EFFECTIVE
 SUPERSEDES

08/14/13
 04/01/98
 MODEL GMC 12/305

ALL DIMENSIONS ARE IN INCHES

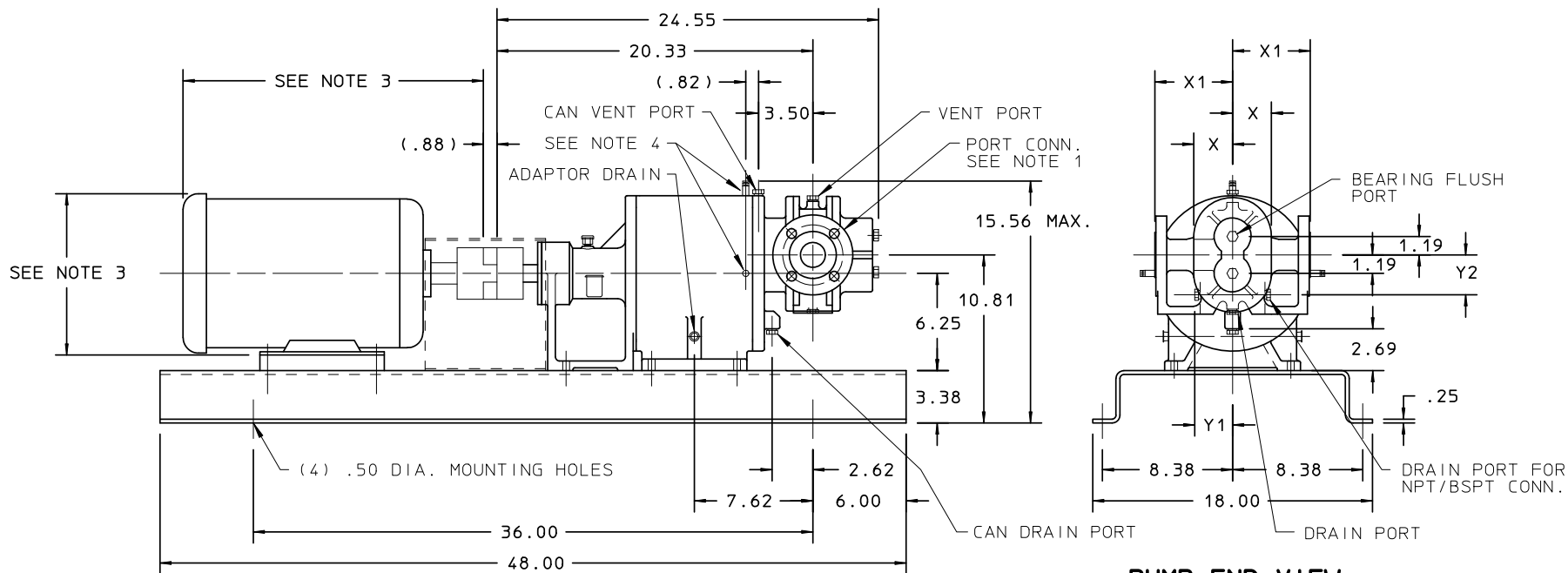
Ischem
 A Unit of IDEX Corporation

PULSAFEENER

DIMENSIONAL DRAWING
 GMC 12 PUMP MOUNTED
 METRIC INPUT SHAFT

DWN. BY: CLA
 DATE: 09/21/93

SD-2791



PUMP END VIEW

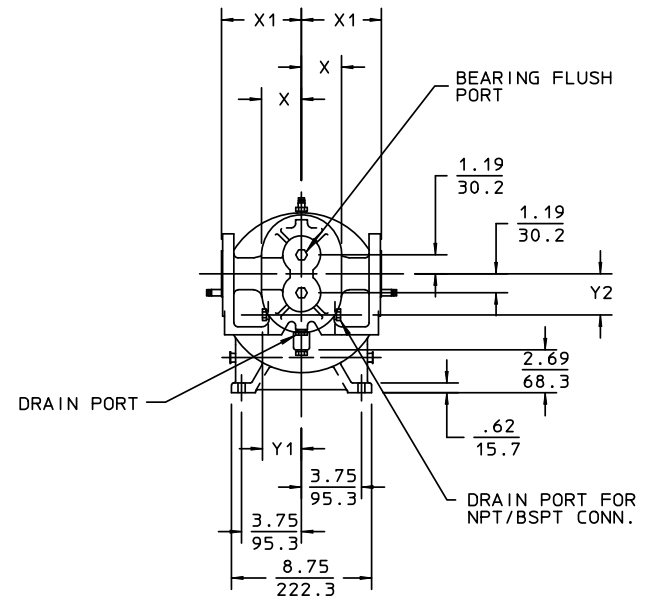
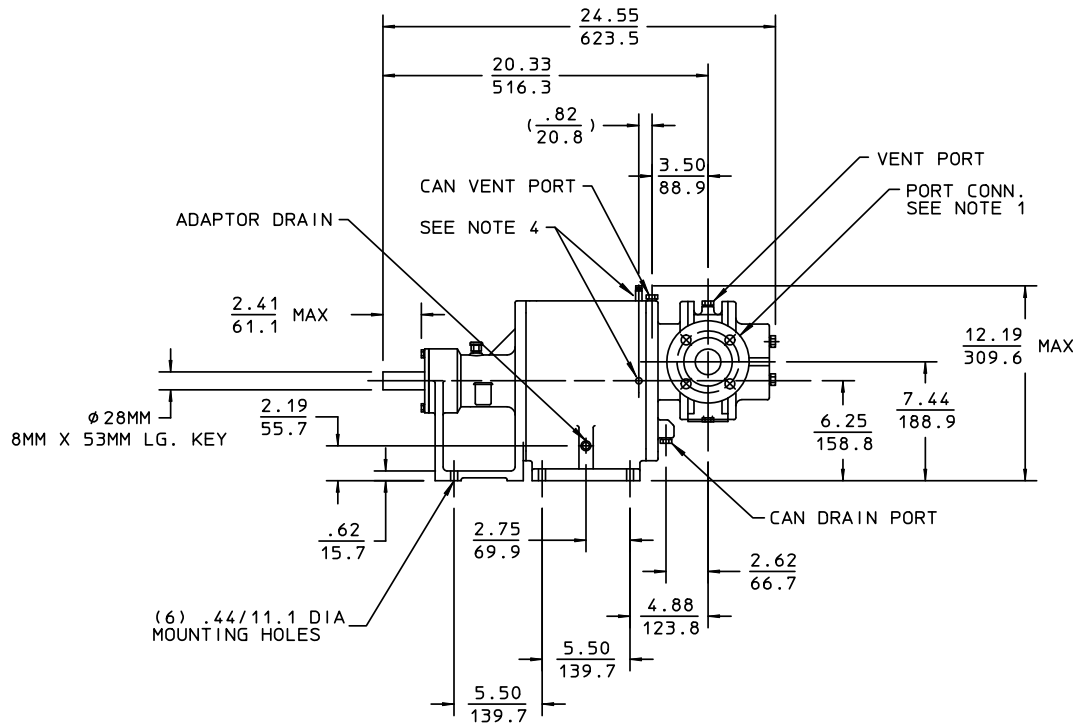
PUMP SERIES	PORT CONNECTION	X	DIMENSIONS		
			X1	Y1	Y2
GMC 12	1.50 NPT OR BSPT	2.50	----	2.56	2.44
	1.50-150# RF FLANGE	----	5.00	----	----

NOTE:

- 1.) SUCTION AND DISCHARGE PORTS DEPENDENT ON DIRECTION OF ROTATION.
- 2.) ALL STANDARD AND OPTIONAL PIPE PLUGS ARE (1/4" N.P.T.).
- 3.) MOTOR DIMENSIONS VARY BY MANUFACTURER, CONSULT MANUFACTURERS DRAWING FOR SPECIFICS. BASE WILL ACCOMMODATE MOTOR FRAME SIZES, 112M, 132S.
- 4.) (2) 1/8" NPT PIPE CONNECTION PORTS ARE STANDARD WITH DOUBLE CAN OPTION. STANDARD ASSEMBLY IS LEFT/TOP CONNECTION PORT ORIENTATION WHEN VIEWED FROM PUMP END. CUSTOMER TO SPECIFY WHEN RIGHT/TOP CONNECTION PORT ORIENTATION IS REQUIRED.


NOTE:

- 1.) SUCTION AND DISCHARGE PORTS DEPENDENT ON DIRECTION OF ROTATION.
- 2.) ALL STANDARD AND OPTIONAL PIPE PLUGS ARE (1/4" N.P.T.).
- 3.) MOTOR DIMENSIONS VARY BY MANUFACTURER-CONSULT MANUFACTURERS DRAWING FOR SPECIFICS. POWERFRAME WILL ACCOMMODATE MOTOR FRAME SIZES, 112M, 132S.
- 4.) (2) 1/8" NPT PIPE CONNECTION PORTS ARE STANDARD WITH DOUBLE CAN OPTION. STANDARD ASSEMBLY IS LEFT/TOP CONNECTION PORT ORIENTATION WHEN VIEWED FROM PUMP END. CUSTOMER TO SPECIFY WHEN RIGHT/TOP CONNECTION PORT ORIENTATION IS REQUIRED.



PUMP END VIEW

PUMP SERIES	PORT CONNECTION	X	DIMENSIONS		
			X1	Y1	Y2
GMC12	1.50 NPT OR BSPT	2.50 (63.5)	----	2.56 (65.0)	2.44 (61.9)
	1.50-150# RF FLANGE	----	5.00 (127.0)	----	----

ALL DIMENSIONS ARE IN INCHES/mm				SCALE: 1:8		Item - No.	GM12 PUMP, UNMNTD METRIC INPUT SHAFT
Customer						Model	
Project No.						Motor Pwr/Fr	
Po No./SO No.						Unit Weight	lb kg
						Isochem	 A Unit of IDEX Corporation
C	REVISED FORMAT	JTN	01/15/16	Drawn	CLA		
Rev	Revision Description	Name	Date	Checked	CLA	04/04/94	Drawing No. SD-2790-000