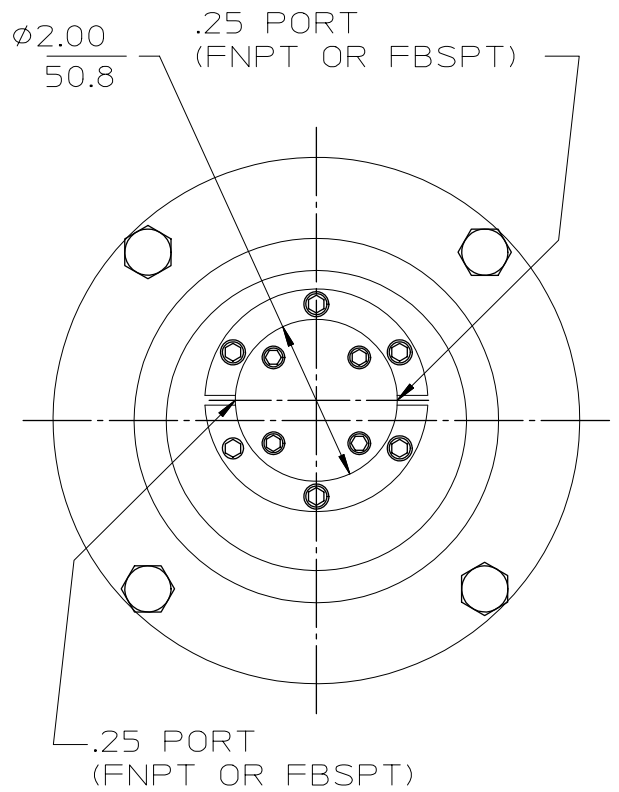
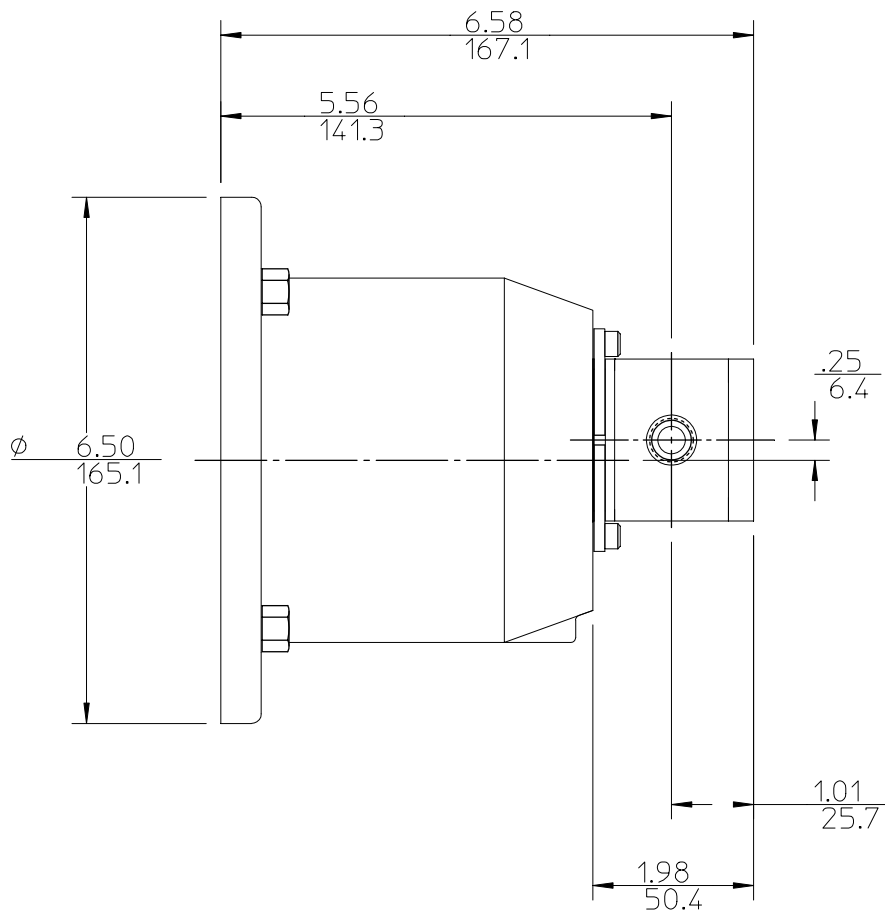
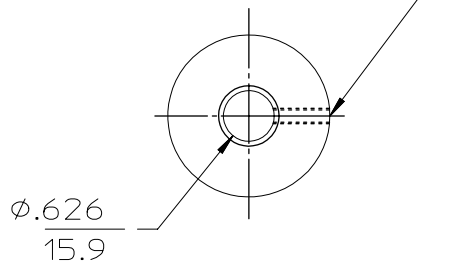


Table of Contents

Dimensional Dwg 56C Frame	1
.....	
Dimensional Dwg 42C/48C Frame	2
.....	
Dimensional Dwg 63C/71C Frame	3
.....	



.25-28 UNF-2B THRU
TO .626/15.9 BORE



DETAIL 56C
DRIVE COUPLING BORE

NOTE:

- SUCTION AND DISCHARGE PORT LOCATION DEPENDENT ON DIRECTION OF DRIVE SHAFT ROTATION.
- PUMP MOTOR ADAPTOR CAN BE ROTATED IN 90-DEGREE INCREMENTS.

ALL DIMENSIONS ARE INCHES/MM



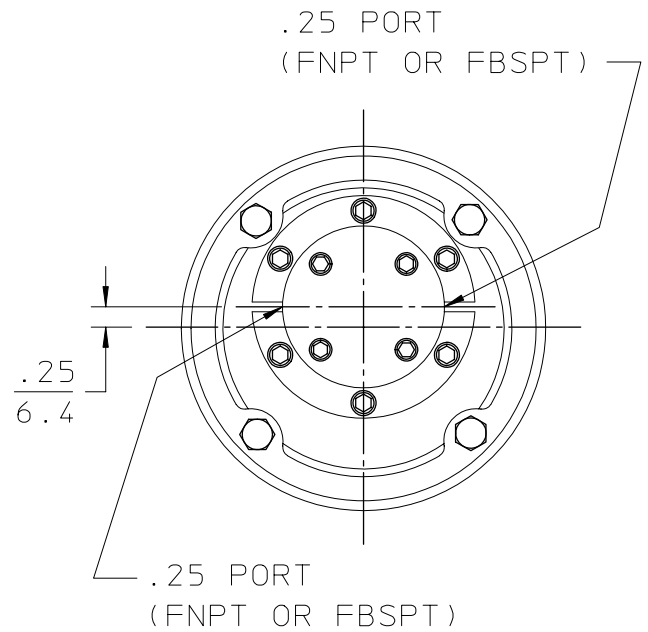
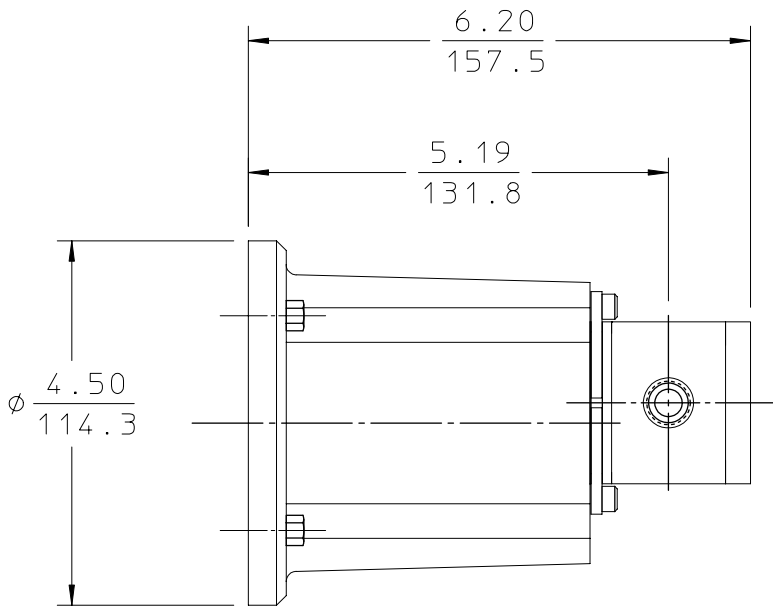
GMC1
DIMENSIONAL DWG
56C FRAME

DWN BY: PTP
DATE: 02/10/01

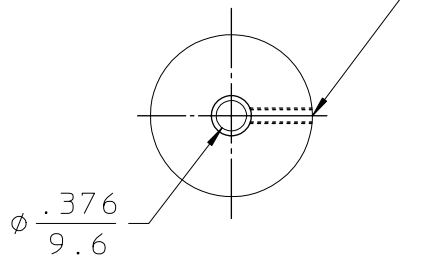
SD-2937-000

▲	UPDATE DRAWING	10/22/02
REF	REVISION UPDATE	DATE

SECTION/PAGE	GMC1 / 300
EFFECTIVE	10/22/02
SUPERSEDES	09/15/01

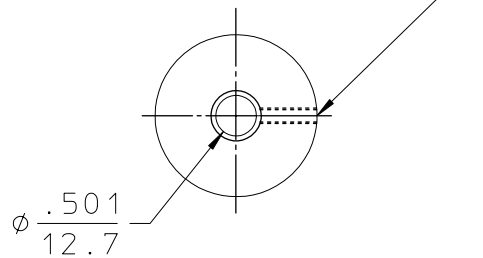


#10-32 UNC-2B THRU
TO .376/9.6 BORE



DETAIL 42C

#10-32 UNC-2B THRU
TO .501/12.7 BORE



DETAIL 48C

DRIVE COUPLING BORE

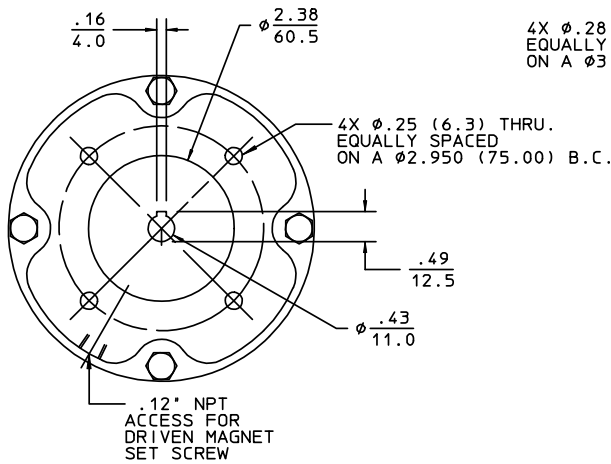
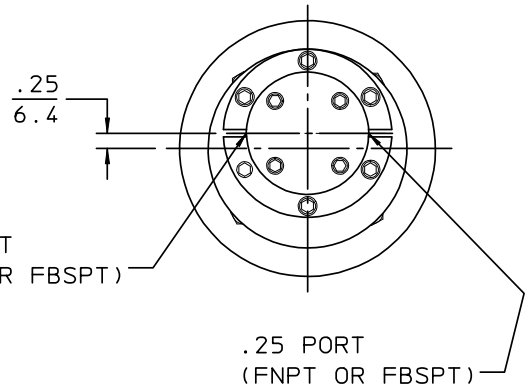
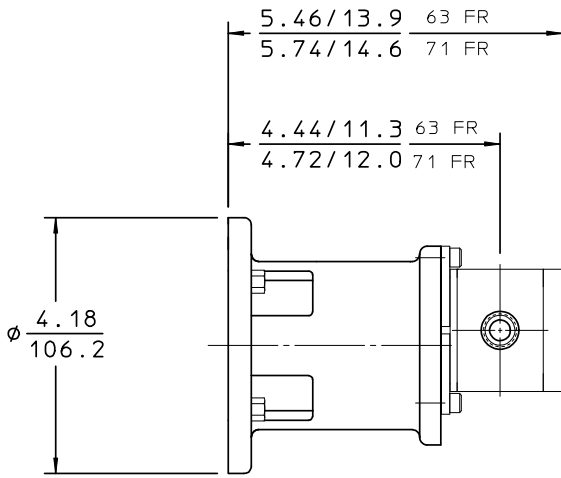
NOTE :

- SUCTION AND DISCHARGE PORT LOCATION
DEPENDENT ON DIRECTION OF DRIVE SHAFT ROTATION.

ALL DIMENSIONS ARE INCHES/MM	
Ischem	PULSAFEEDER A Unit of IDEX Corporation
GMC 1 DIMENSIONAL DWG 42C/48C FRAME	
DWN BY: PTP	SD-2938-000
DATE: 02/10/01	

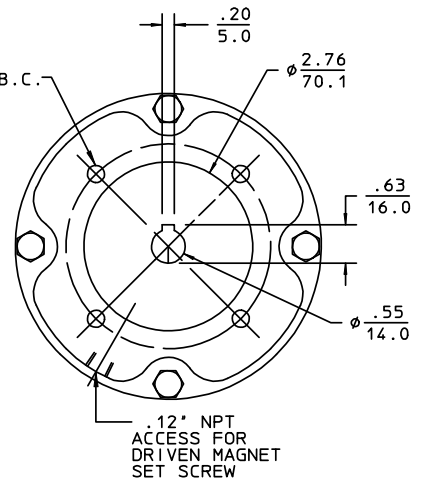
SECTION/PAGE	GMC 1 / 302
EFFECTIVE	10/22/02
SUPERSEDES	09/15/01

△	UPDATE DRAWING	10/22/02
REF	REVISION UPDATE	DATE



IEC 63 MOTOR MOUNTING

4X $\frac{.28}{7.1}$ THRU. EQUALLY SPACED ON A $\frac{3.346}{85.00}$ B.C.



IEC 71 MOTOR MOUNTING

NOTE:

- SUCTION AND DISCHARGE PORT LOCATION DEPENDENT ON DIRECTION OF DRIVE SHAFT ROTATION.

ALL DIMENSIONS ARE INCHES/MM	
ISOICHEM	PULSAFEEDER A Unit of IDEX Corporation
GMC 1 DIMENSIONAL DWG 63C / 71C FRAME	
DWN BY: PTP	SD-2939-000
DATE: 02/28/01	

SECTION/PAGE	GMC 1 / 304
EFFECTIVE	10/22/01
SUPERSEDES	9/15/01
UPDATRED DRAWING	10/22/02
REF	REVISION UPDATE DATE