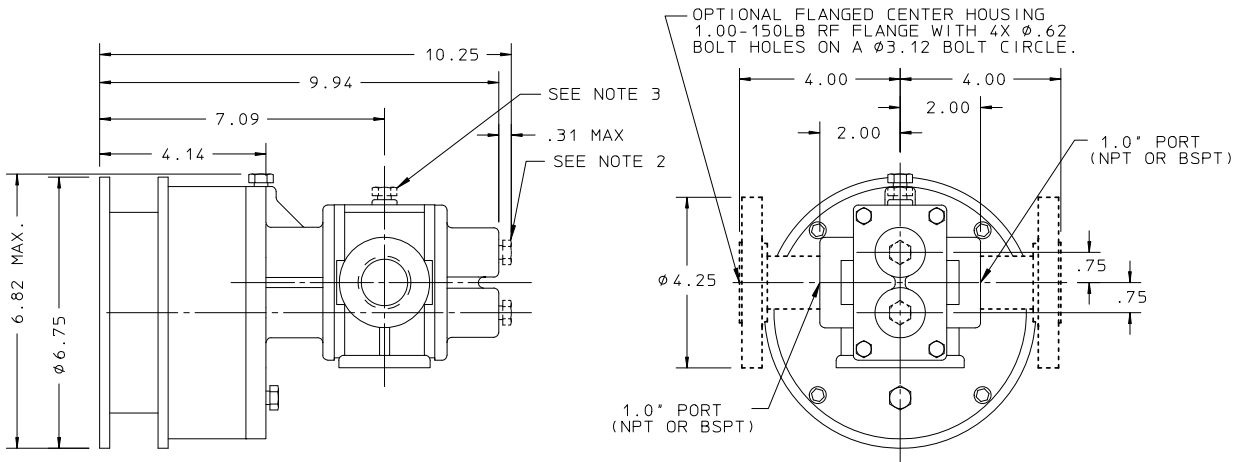


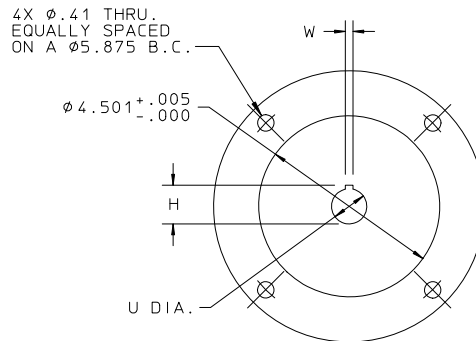
## Table of Contents

---

Mtd Base and Pedestal 182-184T Frame Motor	6
Pump Unmtd for 56C 143TC- 184C Fr Motor	1
Pump Unmtd for 80C Fr Motor	2
Pump Unmtd for 90C Frame Motor	3
Pump Mtd for 56C 143TC - 184C Fr Motor	4
Mtd Base and Pedestal 56- 145T Fr Motor	5
Mtd Base and Pedestal 182- 184T Fr Motor	6
Pedestal Mounted	7



MOTOR FRAME	U DIA. SHAFT	W KEY WIDTH	H KEY HIGHT
56C	.625	.188	.71
143TC	.875		.96
145TC			
182C			
184C			



### MOTOR MOUNTING

NOTES:

- SUCTION AND DISCHARGE PORTS DEPENDENT UPON PUMP SHAFT ROTATION.
- BEARING FLUSH AND DRAIN PLUGS (.12 NPT) ARE OPTIONAL.
- VENT PLUG (.12 NPT) OPTIONAL.
- MUST USE FOOT MOUNTED C-FACE MOTOR OF SPECIFIED FRAME SIZE.

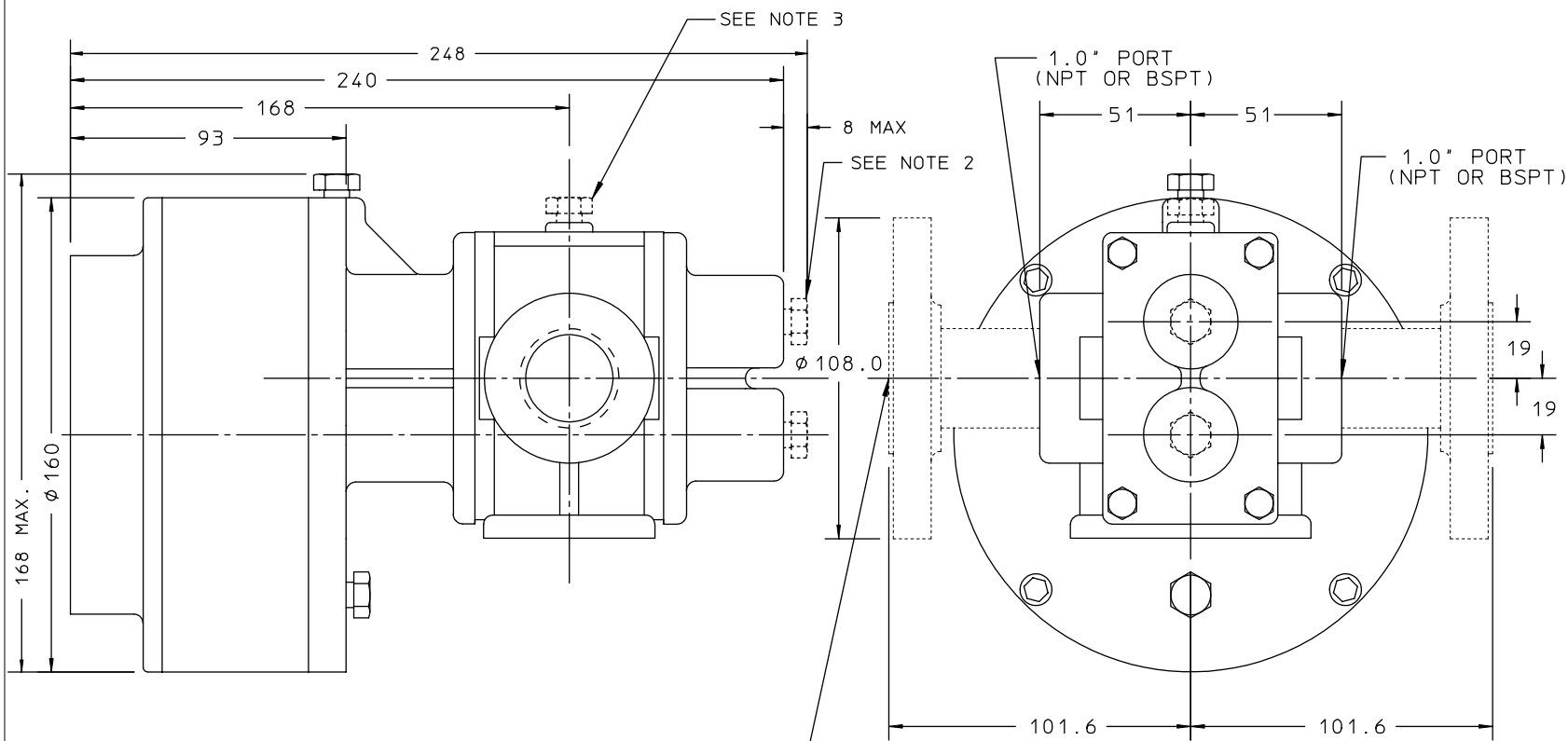
ALL DIMENSIONS ARE IN INCHES  
**Isochem** **PULSAFEEDER**  
 A Unit of IDEX Corporation

MODEL GMC8  
 PUMP UNMTD FOR 56C,  
 143TC - 184C FR MOTOR

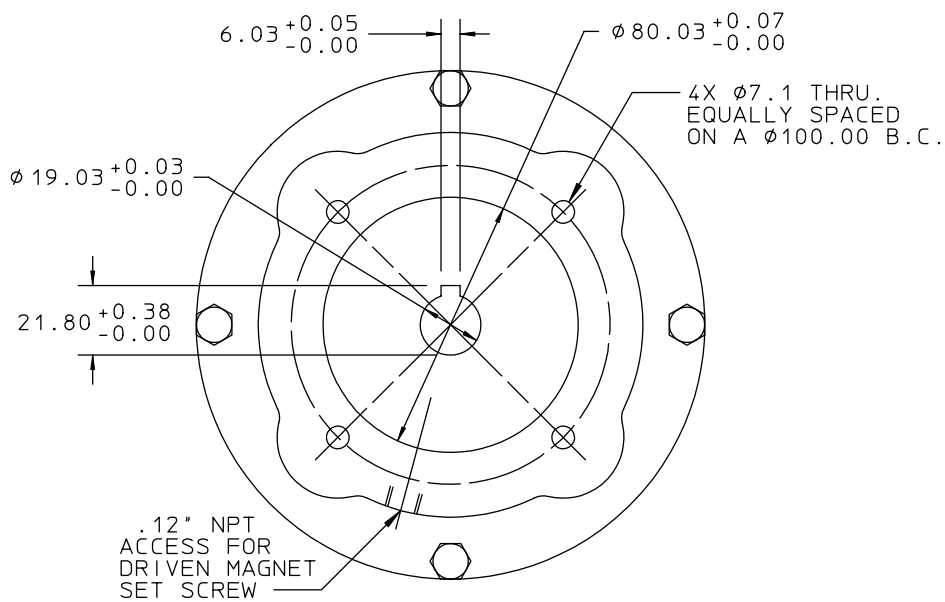
REF	REMOVED GM FROM DESCRIPTION	08/14/13
	REVISION UPDATE	DATE

SECTION/PAGE	MODEL GMC8 / 300
EFFECTIVE	08/14/13
SUPERSEDES	03/27/01

DWN BY: CLA	SD2569
DATE: 10/22/97	



OPTIONAL FLANGED CENTER HOUSING  
 1.00-150LB RF FLANGE WITH 4X Ø15.7  
 BOLT HOLES ON A Ø79.4 BOLT CIRCLE.



### MOTOR MOUNTING

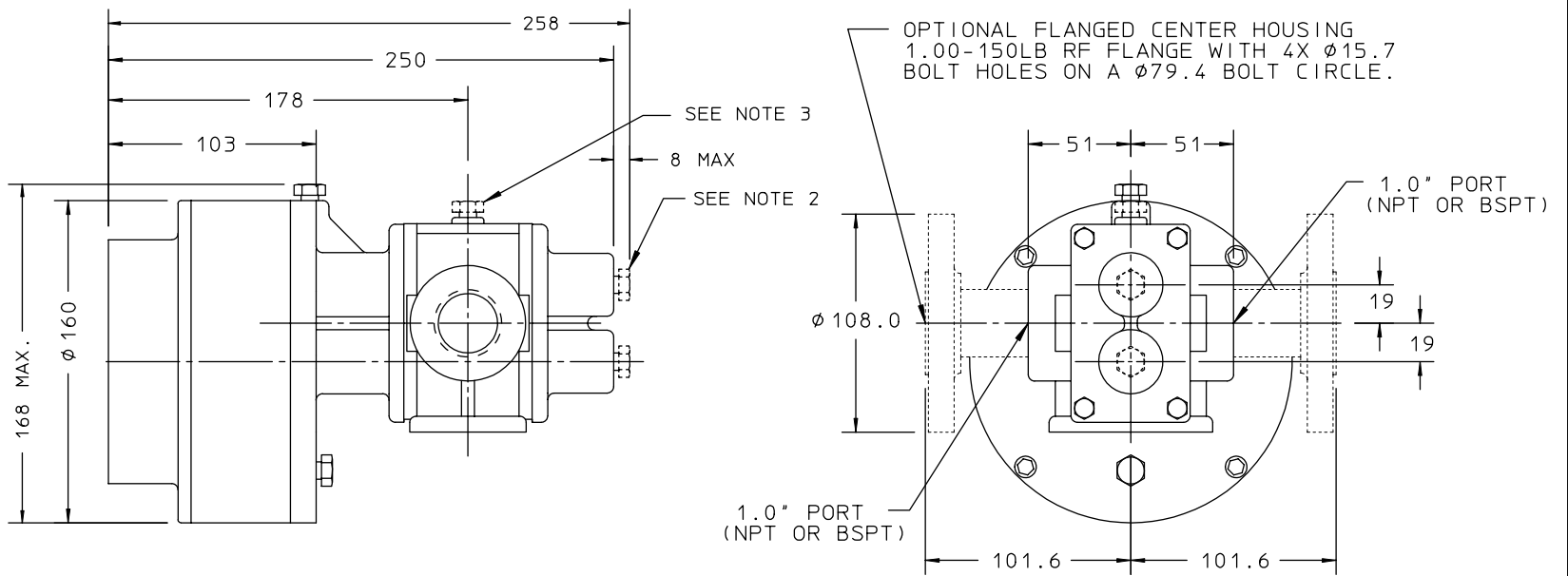
NOTES:

1. SUCTION AND DISCHARGE PORTS DEPENDENT UPON PUMP SHAFT ROTATION.
2. BEARING FLUSH AND DRAIN PLUGS (.12 NPT) ARE OPTIONAL.
3. VENT PLUG (.12 NPT) OPTIONAL.
4. MUST USE FOOT MOUNTED 80 FRAME C-FACE MOTOR.
5. FLANGE SIZE IS IN INCHES.

ALL DIMENSIONS ARE IN MM	
<b>Isoschem</b>	<b>PULSAFEEDER</b> A Unit of IDEX Corporation
MODEL GMC8 PUMP UNMTD FOR 80C FRAME MOTOR	
DWN BY: CLA	SD2866
DATE: 09/15/97	

△	ADDED OPTIONAL FLANGE	03/27/01
REF	REVISION UPDATE	DATE

SECTION/PAGE	MODEL GM8 / 301
EFFECTIVE	03/27/01
SUPERSEDES	04/01/98



OPTIONAL FLANGED CENTER HOUSING  
 1.00-150LB RF FLANGE WITH 4X Ø15.7  
 BOLT HOLES ON A Ø79.4 BOLT CIRCLE.

1.0" PORT  
 (NPT OR BSPT)

19

19

101.6

101.6

51

51

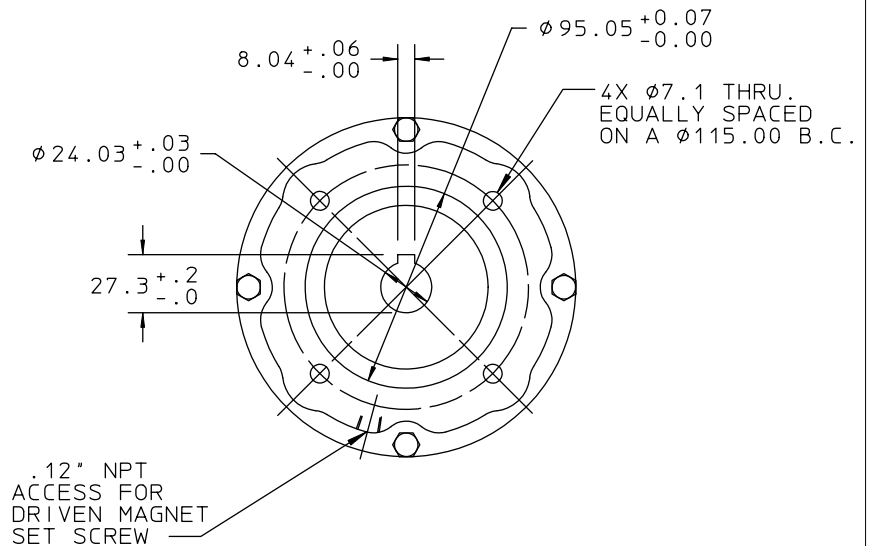
Ø108.0

1.0" PORT  
 (NPT OR BSPT)

SEE NOTE 3

8 MAX

SEE NOTE 2



## MOTOR MOUNTING

### NOTES:

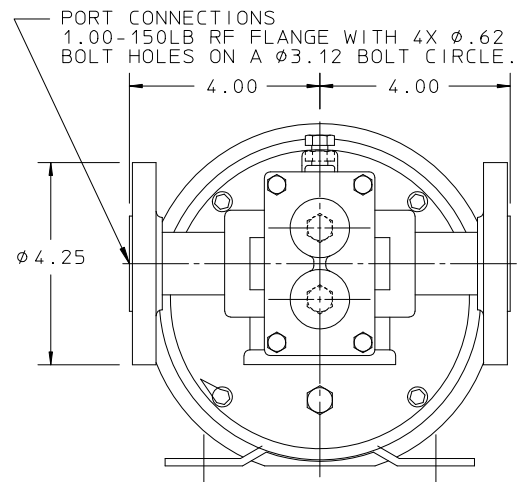
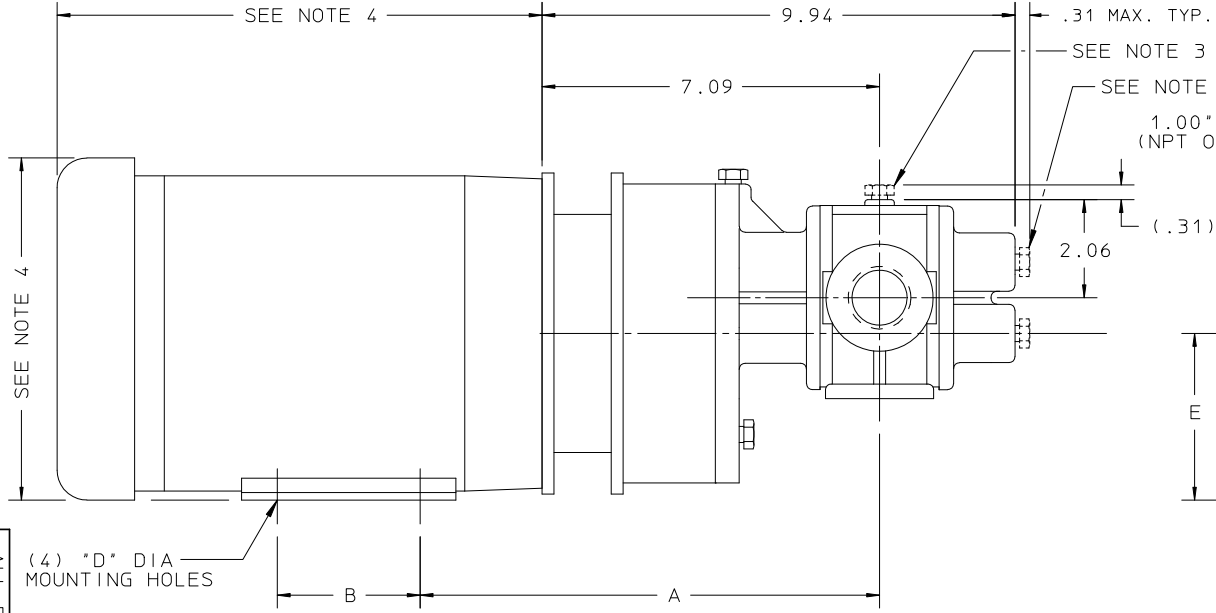
- SUCTION AND DISCHARGE PORTS DEPENDENT UPON PUMP SHAFT ROTATION.
- BEARING FLUSH AND DRAIN PLUGS (.12 NPT) ARE OPTIONAL.
- VENT PLUG (.12 NPT) OPTIONAL.
- MUST USE FOOT MOUNTED 90 FRAME C-FACE MOTOR.
- FLANGE SIZE IS IN INCHES.

△	ADDED OPTIONAL FLANGE	03/27/01
REF	REVISION UPDATE	DATE

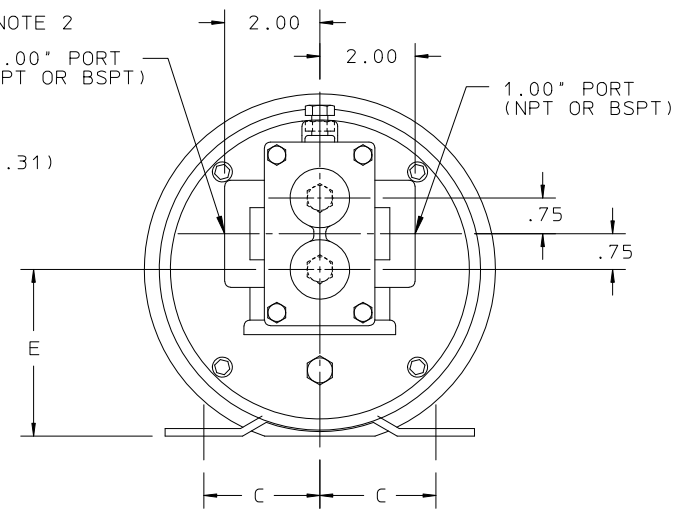
SECTION/PAGE	MODEL GM8 / 302
EFFECTIVE	03/27/01
SUPERSEDES	04/01/98

ALL DIMENSIONS ARE IN MM	
<b>Isochem</b>	<b>PULSAFEEDER</b> A Unit of IDEX Corporation
MODEL GMC8 PUMP UNMTD FOR 90C FRAME MOTOR	
DWN BY: CLA	SD2867
DATE: 09/15/97	

REF DIM "A" 9.97 WAS 9.72  
 REVISION UPDATE  
 01/11/21  
 DATE  
 SECTION/PAGE EFFECTIVE 01/11/21  
 MODEL\_GMC8 / 303  
 SUPersedes 03/27/14  
 DWN BY: PFW  
 DATE: 11/09/94  
 SD2572



VIEW WITH FLANGED CENTER HOUSING



- NOTES:
- SUCTION AND DISCHARGE PORTS DEPENDENT UPON PUMP SHAFT ROTATION.
  - BEARING FLUSH AND DRAIN PLUGS (.12 NPTF) ARE OPTIONAL.
  - VENT PLUG (.12 NPTF) OPTIONAL.
  - MOTOR DIMENSIONS VARY BY MANUFACTURER. CONSULT MANUFACTURERS DRAWING FOR SPECIFICS.

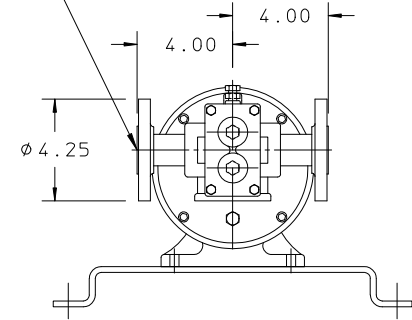


MOTOR FRAME	A	B	C	D	E
56C	9.97	3.00	2.44	.34	3.50
143TC	9.97	4.00	2.75	.34	3.50
145TC	9.97	5.00	2.75	.34	3.50
182C	9.97	4.50	3.75	.41	4.50
184C	9.97	5.50	3.75	.41	4.50

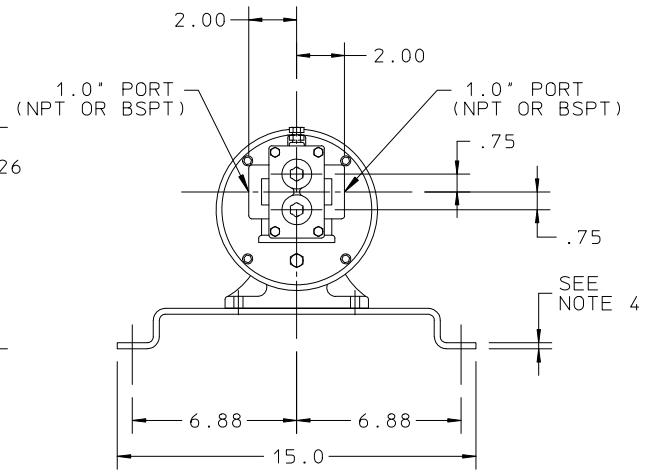
**Ischem**  
 A Unit of IDEX Corporation  
**PULSAFEEDER**

ALL DIMENSIONS ARE IN INCHES  
 MODEL\_GMC8  
 PUMP MTD FOR 56C,  
 143TC - 184C FR MOTOR

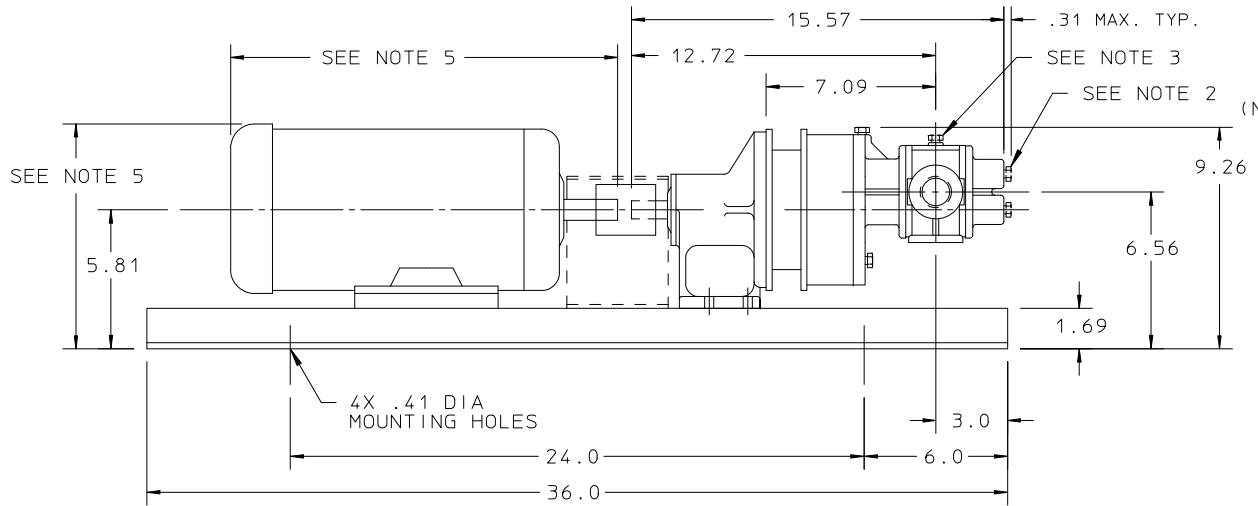
PORT CONNECTIONS  
 1.00-150LB RF FLANGE WITH 4X  $\phi$ .62  
 BOLT HOLES ON A  $\phi$ 3.12 BOLT CIRCLE.



VIEW WITH FLANGED  
 CENTER HOUSING



SEE NOTE 4



NOTES:

1. SUCTION AND DISCHARGE PORTS ARE DEPENDENT UPON PUMP SHAFT ROTATION.
2. BEARING FLUSH AND DRAIN PLUGS (.12 NPT) ARE OPTIONAL.
3. VENT PLUG (.12 NPT) OPTIONAL.
4. MATERIAL THICKNESS:  
 STEEL .25 THK.  
 STAINLESS STEEL .19 THK.
5. MOTOR DIMENSIONS VARY BY MANUFACTURER.  
 CONSULT MANUFACTURER'S DRAWING FOR SPECIFICS.

ALL DIMENSIONS ARE IN INCHES

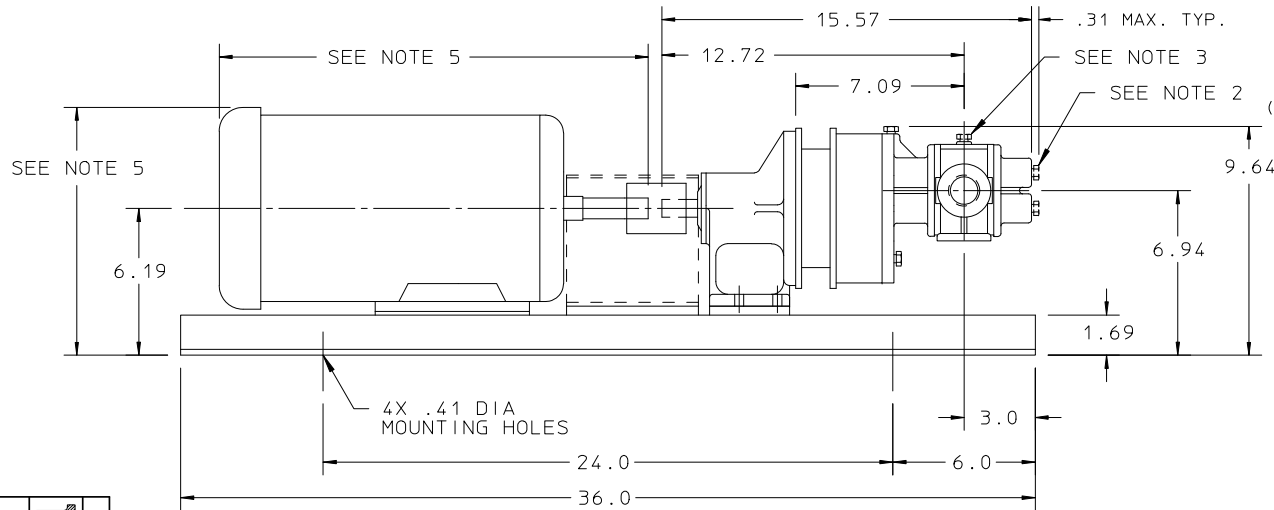
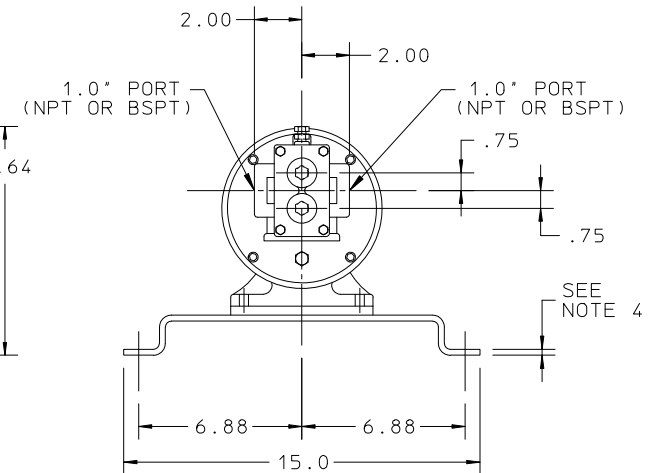
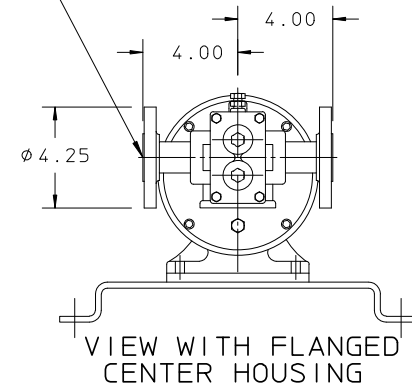
**Ischem**  
 A Unit of IDEX Corporation  
**WILSAFFEREN**

MODEL GMC8  
 MTD BASE AND PEDESTAL  
 56-145T FRAME MOTORS

DWN BY: JEM JR  
 DATE: 10/27/89  
 SD22681

REF	REMOVED GM FROM DESCRIPTION REVISION UPDATE	08/14/13	SECTION/PAGE EFFECTIVE	MODEL GMC8 / 304
DATE			08/14/13	03/27/01
SUPERSEDES				

PORT CONNECTIONS  
 1.00-150LB RF FLANGE WITH 4X  $\phi$ .62  
 BOLT HOLES ON A  $\phi$ 3.12 BOLT CIRCLE.



NOTES:

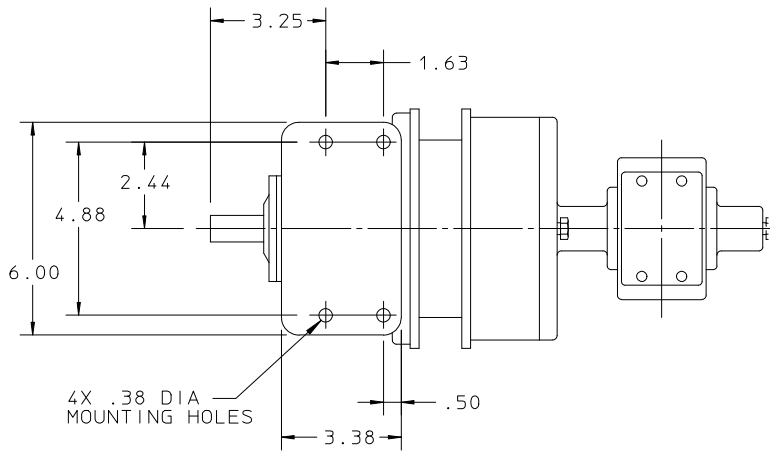
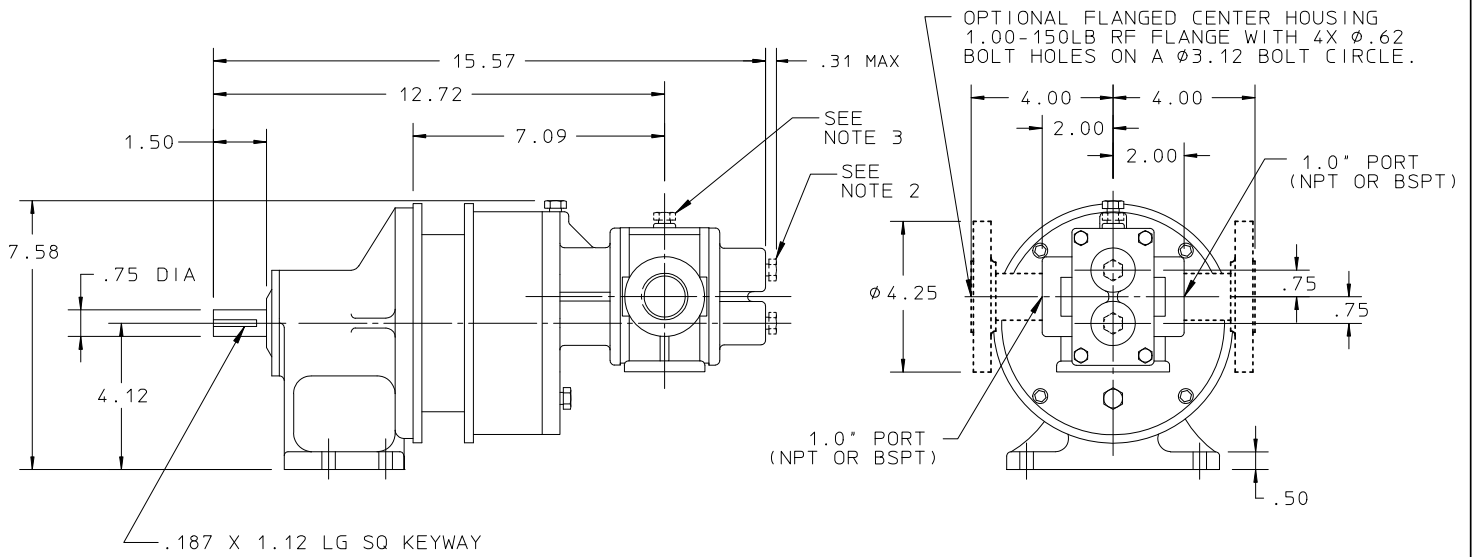
1. SUCTION AND DISCHARGE PORTS ARE DEPENDENT UPON PUMP SHAFT ROTATION.
2. BEARING FLUSH AND DRAIN PLUGS (.12 NPT) ARE OPTIONAL.
3. VENT PLUG (.12 NPT) OPTIONAL.
4. MATERIAL THICKNESS:  
 STEEL .25 THK.  
 STAINLESS STEEL .19 THK.
5. MOTOR DIMENSIONS VARY BY MANUFACTURER.  
 CONSULT MANUFACTURER'S DRAWING FOR SPECIFICS.

REF	REMOVED GM FROM DESCRIPTION	08/14/13	SECTION/PAGE	MODEL GMC8 / 305
	REVISION UPDATE	DATE	EFFECTIVE	08/14/13
			SUPERSEDES	03/27/01
			DWN BY: JEM JR	DATE: 10/27/89
				SD2682

**Ischem**  
 A Unit of IDEX Corporation  
**PULSAFEENE**

ALL DIMENSIONS ARE IN INCHES

MODEL GMC8  
 MTD BASE AND PEDESTAL  
 182-184T FRAME MOTORS



NOTES:

1. SUCTION AND DISCHARGE PORTS ARE DEPENDENT UPON PUMP SHAFT ROTATION.
2. BEARING FLUSH AND DRAIN PLUGS (.12 NPT) ARE OPTIONAL.
3. VENT PLUG (.12 NPT) OPTIONAL.

ALL DIMENSIONS ARE IN INCHES	
<b>Isochem</b>	<b>PULSAFEEDER</b> A Unit of IDEX Corporation
MODEL GMC8 PEDESTAL MOUNTED	
DWN BY: PFM	SD2692
DATE: 05/11/90	

SECTION/PAGE	MODEL GMC8 / 306
EFFECTIVE	08/14/13
SUPERSEDES	03/27/01
REF	REVISION UPDATE
	DATE
	08/14/13