

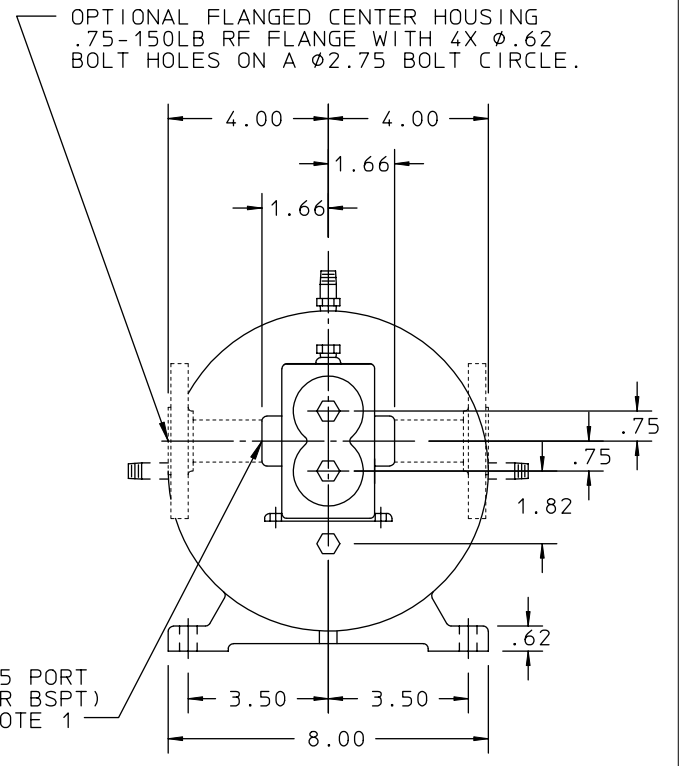
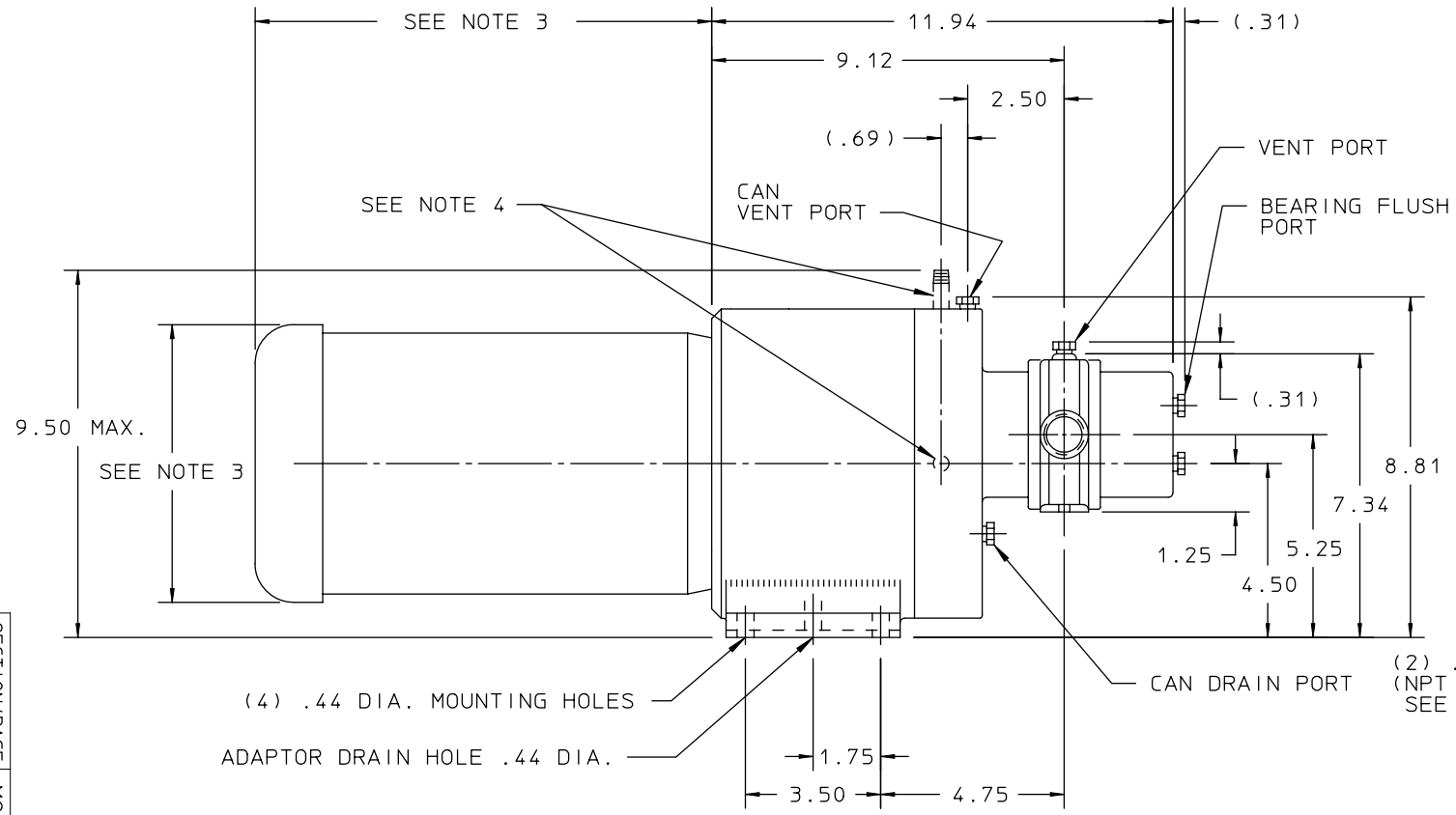
Table of Contents

Dimensional Drawing 143TC- 184 Fr Motor	1
Dimensional Drawing GMH6 Unmounted Metric D100LC Fr Motor	3
Pump Unmounted 182TC - 184TC Fr Motor	4
Pump Mouted with Pedestal assembly	5

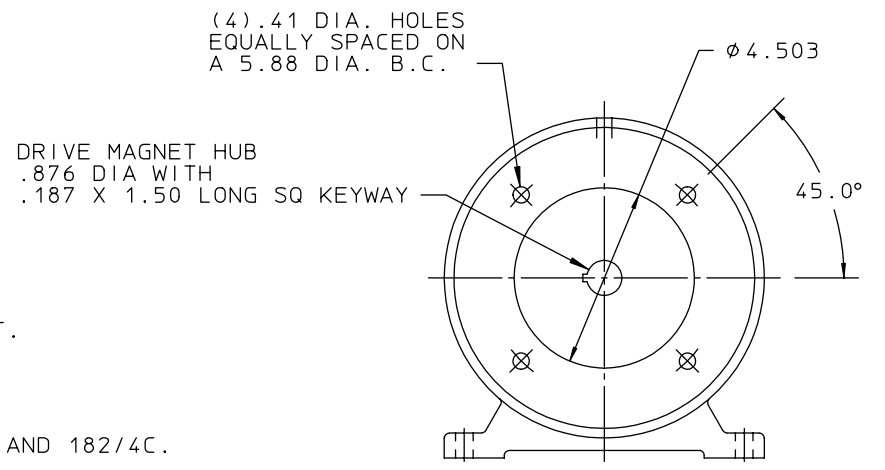
REF A
 ADDED OPTIONAL FLANGE
 REVISION UPDATE
 DATE 03/27/01

SECTION/PAGE
 EFFECTIVE
 SUPERSEDES
 MODEL GMH6 / 300
 03/27/01
 04/01/98

ALL DIMENSIONS ARE IN INCHES
Isometrics
PULSAFEEDER
 A Unit of IDEX Corporation
 DIMENSIONAL DRAWING
 MODEL GMH6 PUMP
 143TC - 184C FR MOTOR
 DWN BY: CLA
 DATE: 10/09/97
 SD-2871



PUMP END VIEW



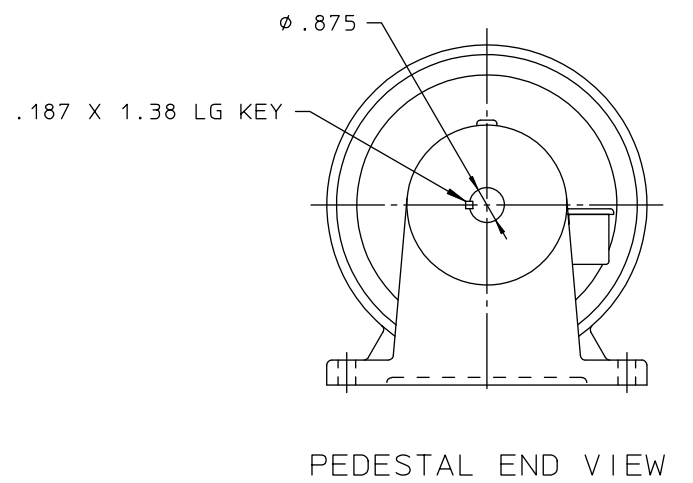
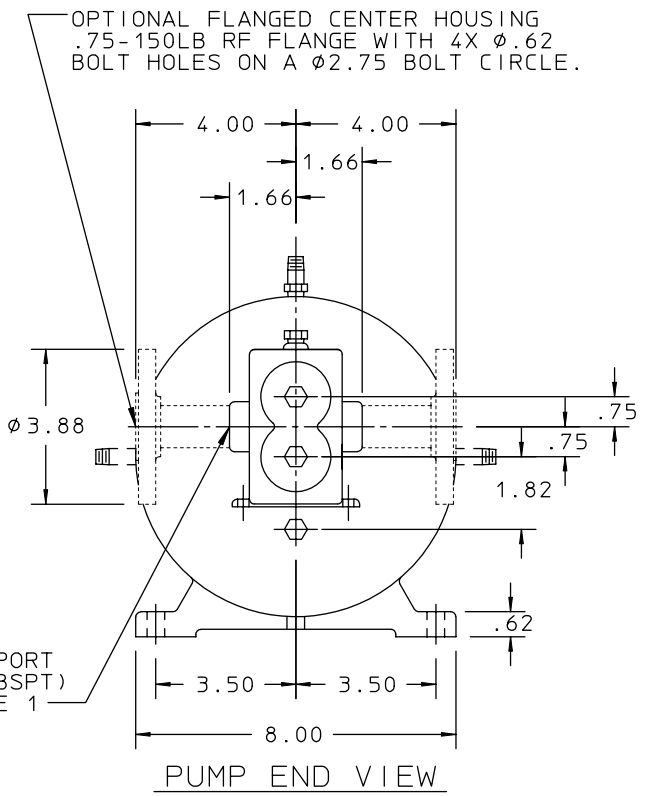
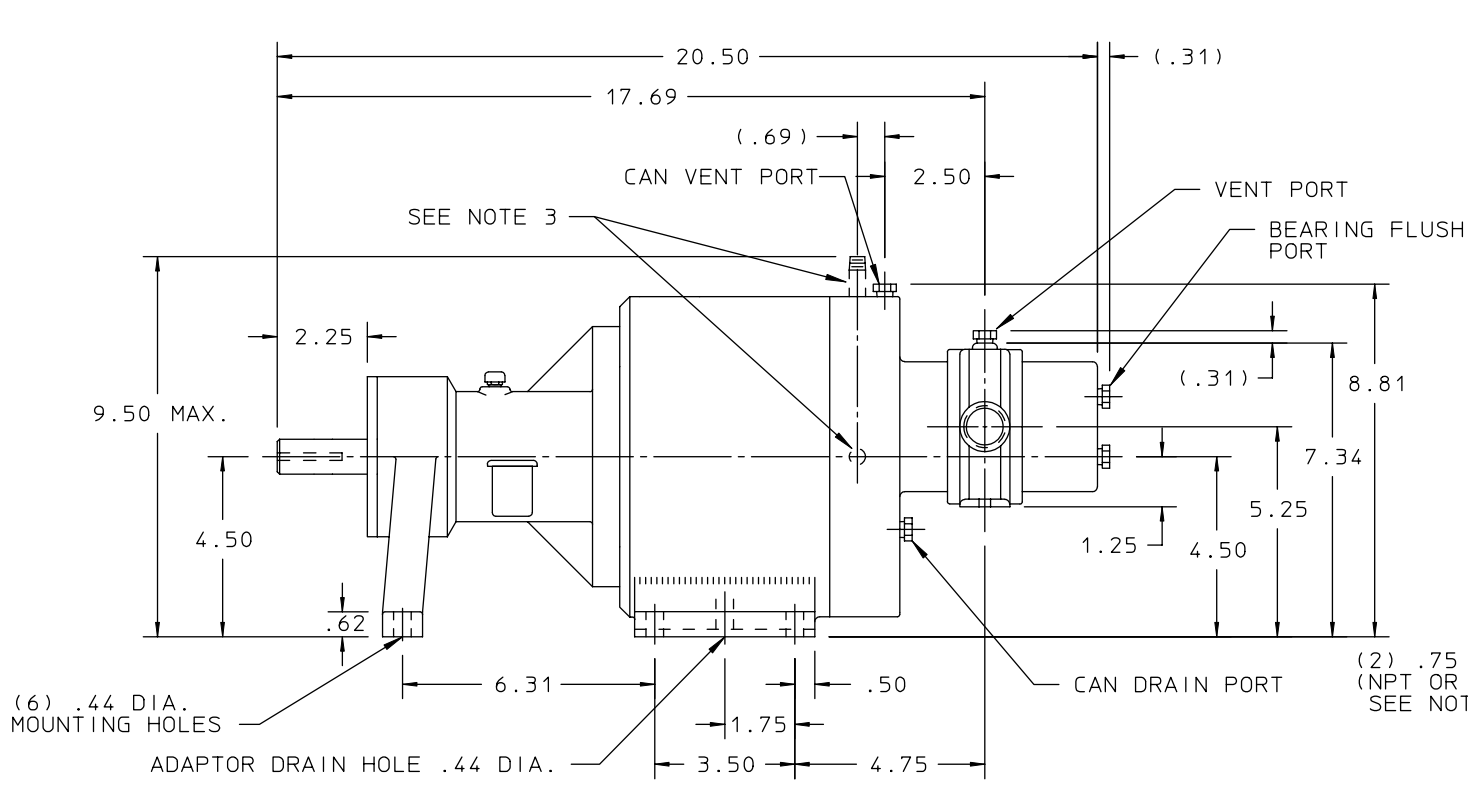
MOTOR ADAPTOR
 NEMA C-FACE BOLT PATTERN

- NOTE:
- 1.) SUCTION AND DISCHARGE PORTS DEPENDENT ON DIRECTION OF ROTATION.
 - 2.) ALL STANDARD AND OPTIONAL PORT CONNECTION PIPE PLUGS ARE 1/8" NPT.
 - 3.) MOTOR DIMENSIONS VARY BY MANUFACTURER- CONSULT MOTOR MANUFACTURERS DRAWING FOR SPECIFICS. MOTOR ADAPTOR WILL ACCOMMODATE NEMA C-FACE FRAME SIZES; 143/5TC, AND 182/4C.
 - 4.) (2) 1/8" NPT PIPE CONNECTION PORTS ARE STANDARD WITH DOUBLE CAN OPTION. STANDARD ASSEMBLY IS LEFT/TOP CONNECTION PORT ORIENTATION WHEN VIEWED FROM PUMP END. CUSTOMER TO SPECIFY WHEN RIGHT/TOP CONNECTION PORT ORIENTATION IS REQUIRED.

REF A
 ADDED OPTIONAL FLANGE
 REVISION UPDATE
 DATE 03/27/01

SECTION/PAGE
 EFFECTIVE
 SUPPERSEDES
 MODEL GMH6 / 301
 03/27/01
 04/01/98

ALL DIMENSIONS ARE IN INCHES
Isomet
PULSAFEEDER
 A Unit of IDEX Corporation
 DIMENSIONAL DRAWING
 GMH6 PUMP UNMOUNTED
 WITH PEDESTAL ASSY
 DWN BY: CLA
 DATE: 10/09/97
 SD-2873

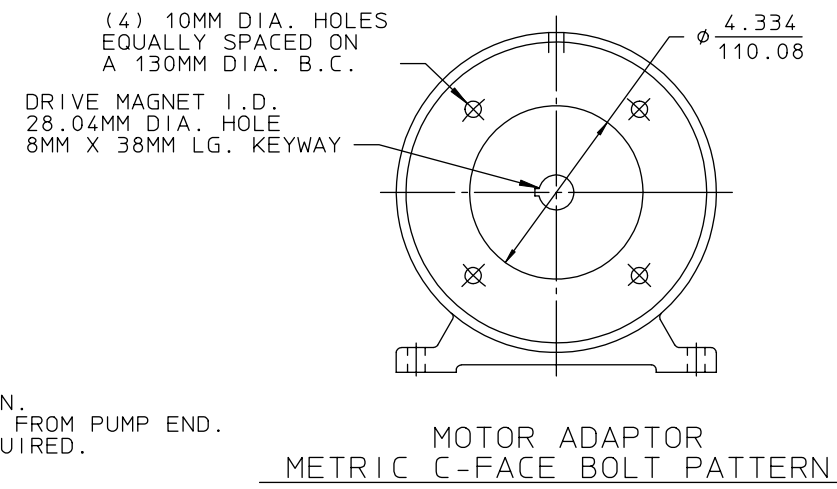
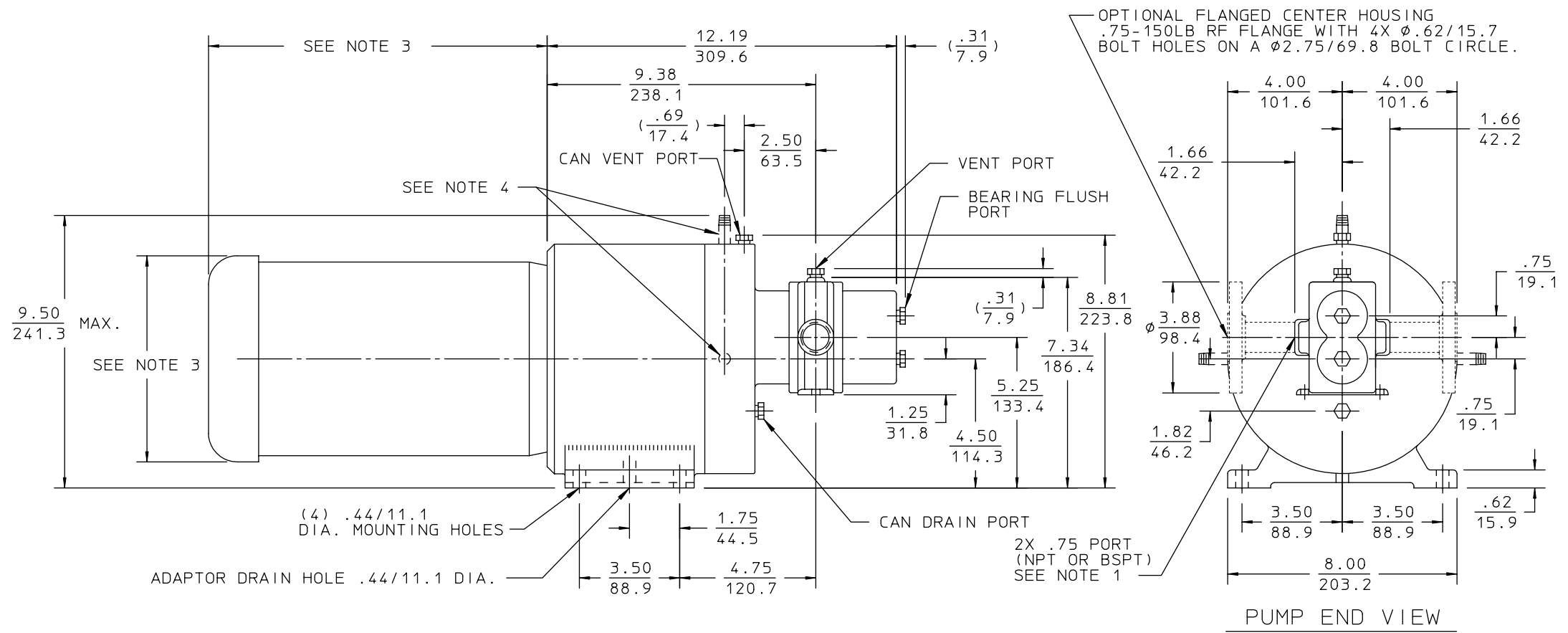


- NOTE:
- 1.) SUCTION AND DISCHARGE PORTS DEPENDENT ON DIRECTION OF ROTATION.
 - 2.) ALL STANDARD AND OPTIONAL PORT CONNECTION PIPE PLUGS ARE 1/8" NPT.
 - 3.) (2) 1/8" NPT PIPE CONNECTION PORTS ARE STANDARD WITH DOUBLE CAN OPTION. STANDARD ASSEMBLY IS LEFT/TOP CONNECTION PORT ORIENTATION WHEN VIEWED FROM PUMP END. CUSTOMER TO SPECIFY WHEN RIGHT/TOP CONNECTION PORT ORIENTATION IS REQUIRED.

REF A
 ADDED OPTIONAL FLANGE
 REVISION UPDATE
 03/27/01
 DATE

SECTION/PAGE
 EFFECTIVE
 SUPERSEDES
 MODEL GMH6 / 302
 03/27/01
 04/01/98

ALL DIMENSIONS ARE INCHES/MM
Isachem
PULSAFEEDER
 A Unit of IDEX Corporation
 DIMENSIONAL DRAWING
 GMH6 PUMP UNMOUNTED
 METRIC D100LC FR MOTOR
 DWN BY: CLA
 DATE: 10/09/97
 SD-2872

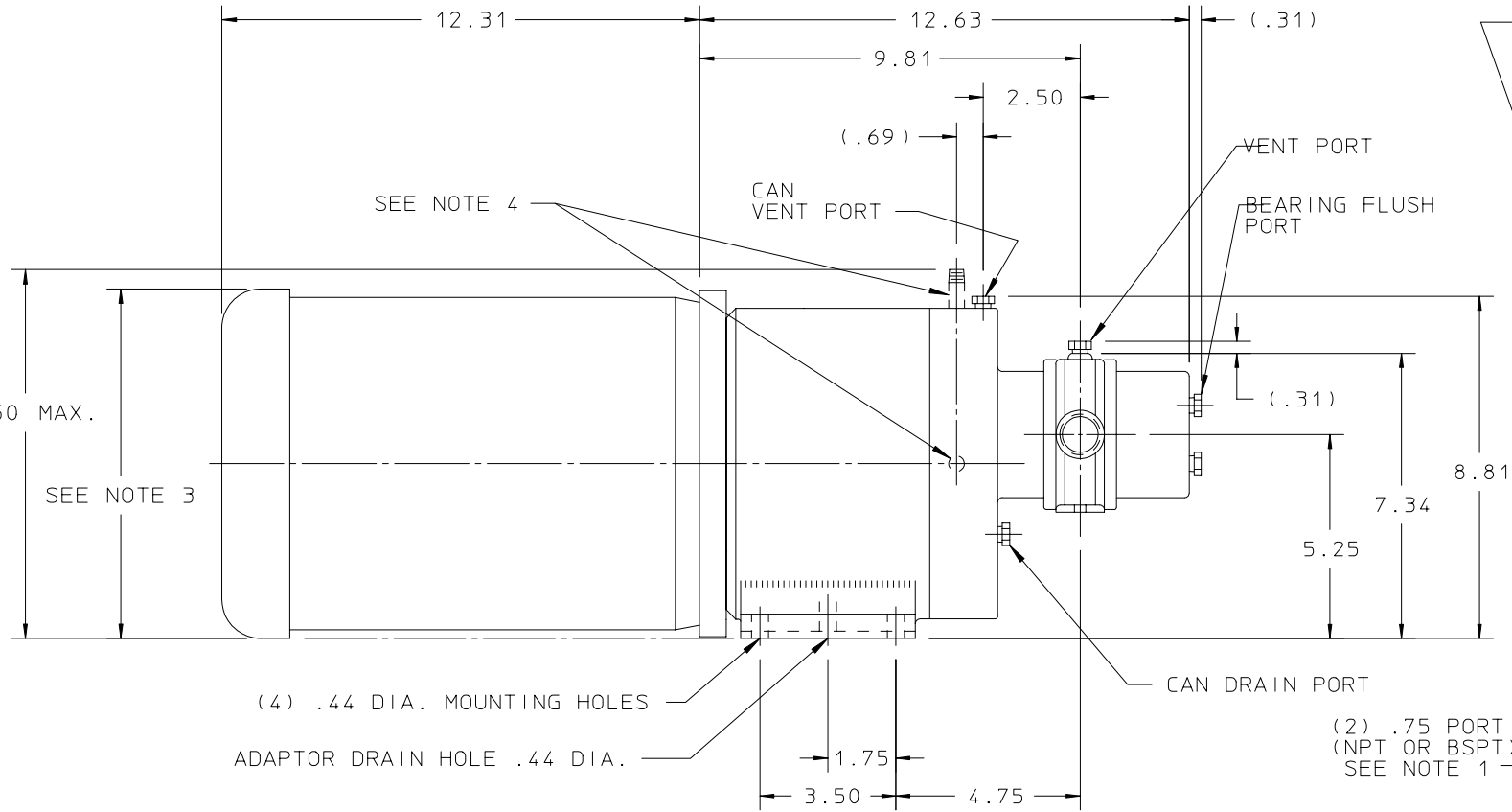


- NOTE:
- 1.) SUCTION AND DISCHARGE PORTS DEPENDENT ON DIRECTION OF ROTATION.
 - 2.) ALL STANDARD AND OPTIONAL PIPE PLUGS ARE (1/8" N.P.T.).
 - 3.) MOTOR DIMENSIONS VARY BY MANUFACTURER-CONSULT MANUFACTURERS DRAWING FOR SPECIFICS. MOTOR ADAPTOR WILL ACCOMMODATE MOTOR FRAME SIZE, D100LC.
 - 4.) (2) 1/8" NPT PIPE CONNECTION PORTS ARE STANDARD WITH DOUBLE CAN OPTION. STANDARD ASSEMBLY IS LEFT/TOP CONNECTION PORT ORIENTATION WHEN VIEWED FROM PUMP END. CUSTOMER TO SPECIFY WHEN RIGHT/TOP CONNECTION PORT ORIENTATION IS REQUIRED.

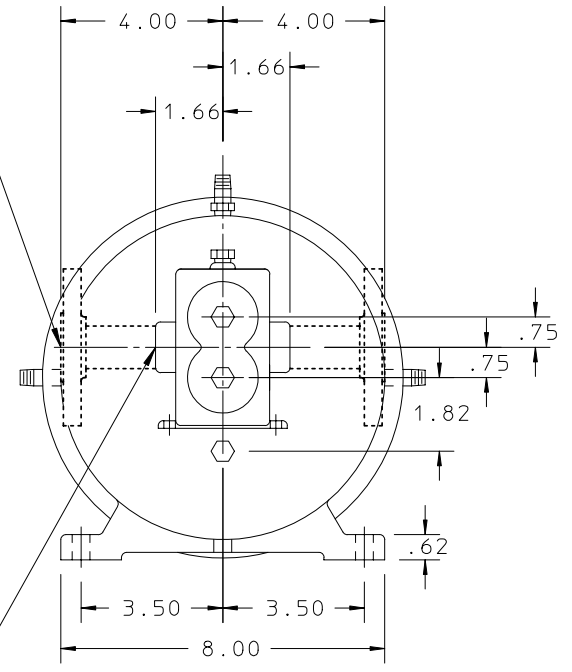
REF	A
CHANGE BOLT CIRCLE	
REVISION UPDATE	
DATE	

EFFECTIVE	SECTION/PAGE
10/11/05	MODEL GMH6/303
04/12/01	

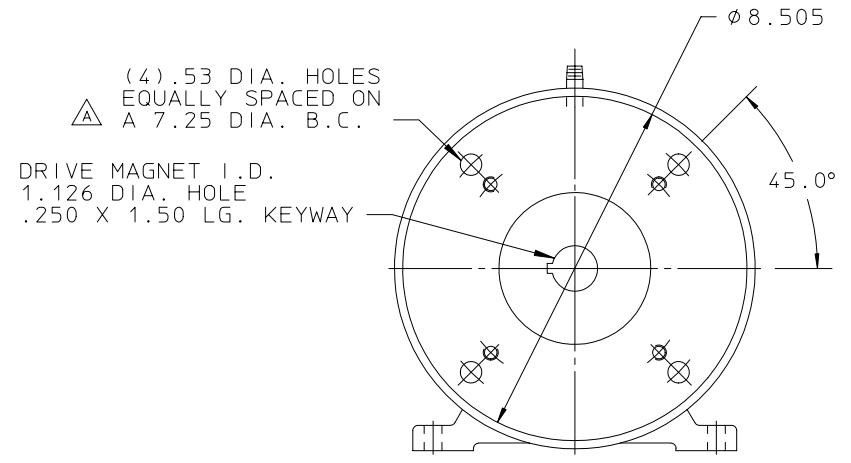
DATE: 04/12/01	DWN BY: PFV
SD-2948	



OPTIONAL FLANGED CENTER HOUSING
 .75-150LB RF FLANGE WITH 4X ϕ .62
 BOLT HOLES ON A ϕ 2.75 BOLT CIRCLE.



PUMP END VIEW



MOTOR ADAPTOR
 NEMA C-FACE BOLT PATTERN

- NOTE:
- 1.) SUCTION AND DISCHARGE PORTS DEPENDENT ON DIRECTION OF ROTATION.
 - 2.) ALL STANDARD AND OPTIONAL PORT CONNECTION PIPE PLUGS ARE 1/8" NPT.
 - 3.) MOTOR DIMENSIONS VARY BY MANUFACTURER-CONSULT MOTOR MANUFACTURERS DRAWING FOR SPECIFICS. MOTOR ADAPTOR WILL ACCOMMODATE NEMA C-FACE FRAME SIZES 182/4TC.
 - 4.) (2) 1/8" NPT PIPE CONNECTION PORTS ARE STANDARD WITH DOUBLE CAN OPTION. STANDARD ASSEMBLY IS LEFT/TOP CONNECTION PORT ORIENTATION WHEN VIEWED FROM PUMP END. CUSTOMER TO SPECIFY WHEN RIGHT/TOP CONNECTION PORT ORIENTATION IS REQUIRED.

ALL DIMENSIONS ARE IN INCHES

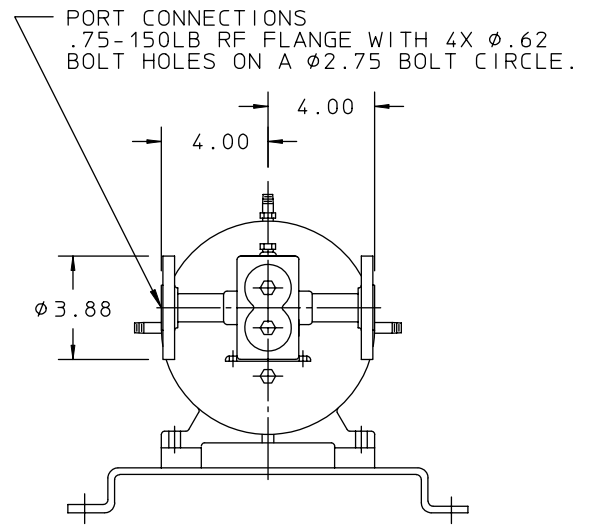
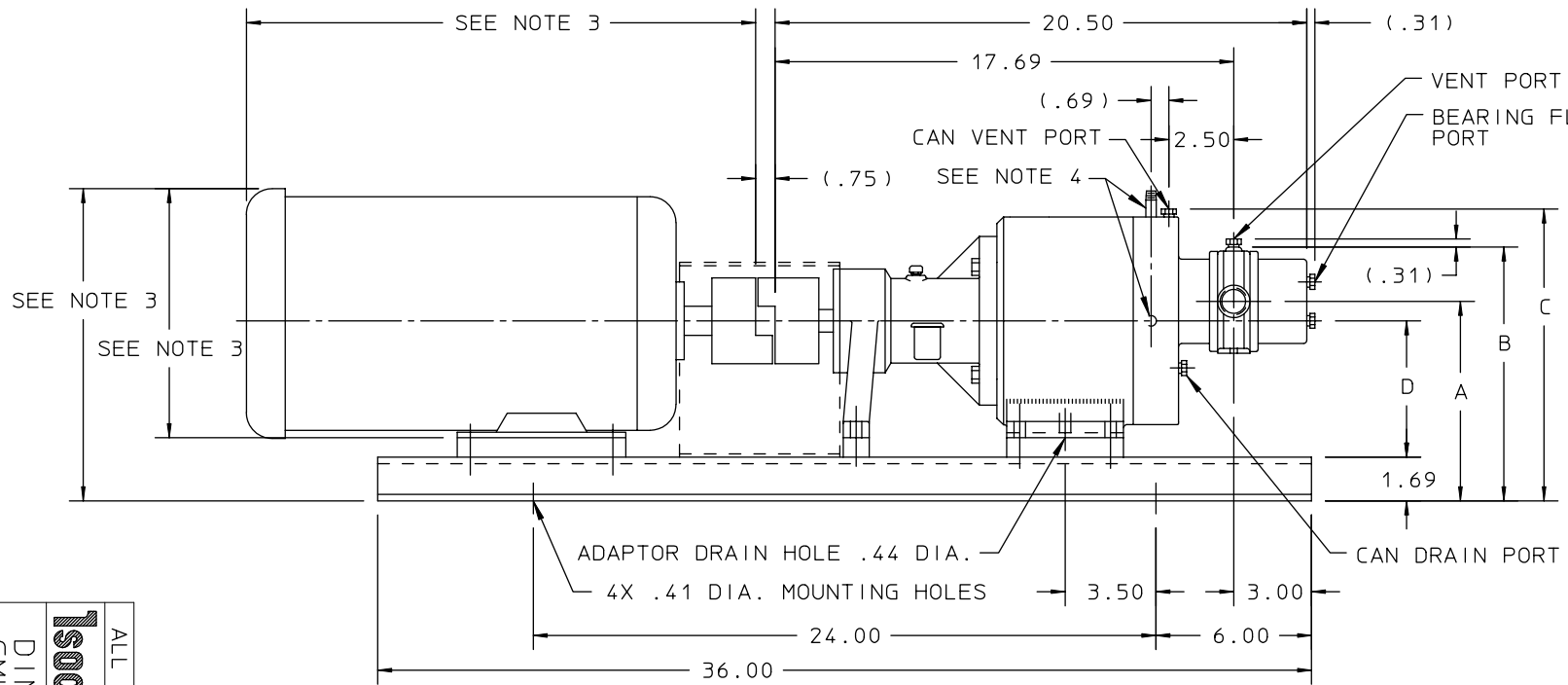
Ischem
 A Unit of IDEX Corporation

Pulsafeiner

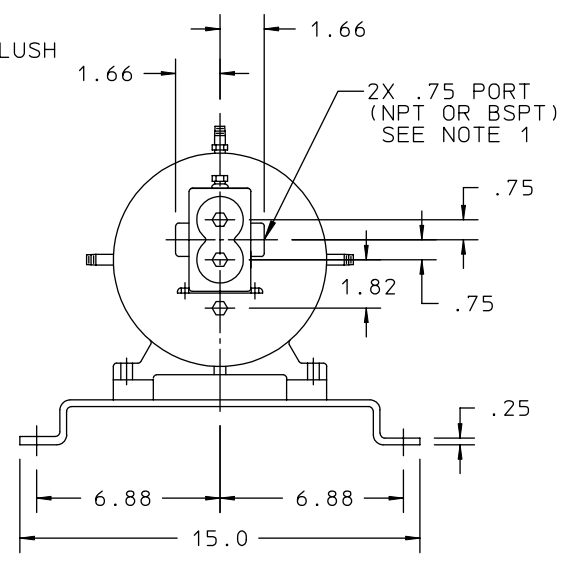
DIMENSIONAL DRAWING
 GMH6 PUMP UNMOUNTED
 182TC - 184TC FR MOTOR

REF A ADDED FLANGED VIEW
 REVISION UPDATE
 03/27/01 DATE
 03/27/01 EFFECTIVE
 04/01/98 SUPERSEDES
 DWN BY: CLA
 DATE: 10/09/97
 SD-2874

SECTION/PAGE MODEL GMH6 / 304
 DIMENSIONAL DRAWING
 GMH6 PUMP MOUNTED
 WITH PEDESTAL ASSY
Ischem
PULSAFEEN
 A Unit of IDEX Corporation
 ALL DIMENSIONS ARE IN INCHES



VIEW WITH FLANGED CENTER HOUSING



PUMP END VIEW

- NOTES:
- 1.) SUCTION AND DISCHARGE PORTS DEPENDENT ON DIRECTION OF ROTATION.
 - 2.) ALL STANDARD AND OPTIONAL PIPE PLUGS ARE (1/8" N.P.T.).
 - 3.) MOTOR DIMENSIONS VARY BY MANUFACTURER, CONSULT MANUFACTURERS DRAWING FOR SPECIFICS. BASE WILL ACCOMMODATE MOTOR FRAME SIZES, 143T, 145T, 182T, 184T, 213T AND 215T.
 - 4.) (2) 1/8" NPT PIPE CONNECTION PORTS ARE STANDARD WITH DOUBLE CAN OPTION. STANDARD ASSEMBLY IS LEFT/TOP CONNECTION PORT ORIENTATION WHEN VIEWED FROM PUMP END. CUSTOMER TO SPECIFY WHEN RIGHT/TOP CONNECTION PORT ORIENTATION IS REQUIRED.

PUMP SERIES	DIMENSIONS			MOTOR INFO.	
	A	B	C	FRAME	D
GMH6	6.94	9.03	10.50	143/5T	4.50
	6.94	9.03	10.50	182/4T	4.50
	7.69	9.78	11.25	213/5T	5.25