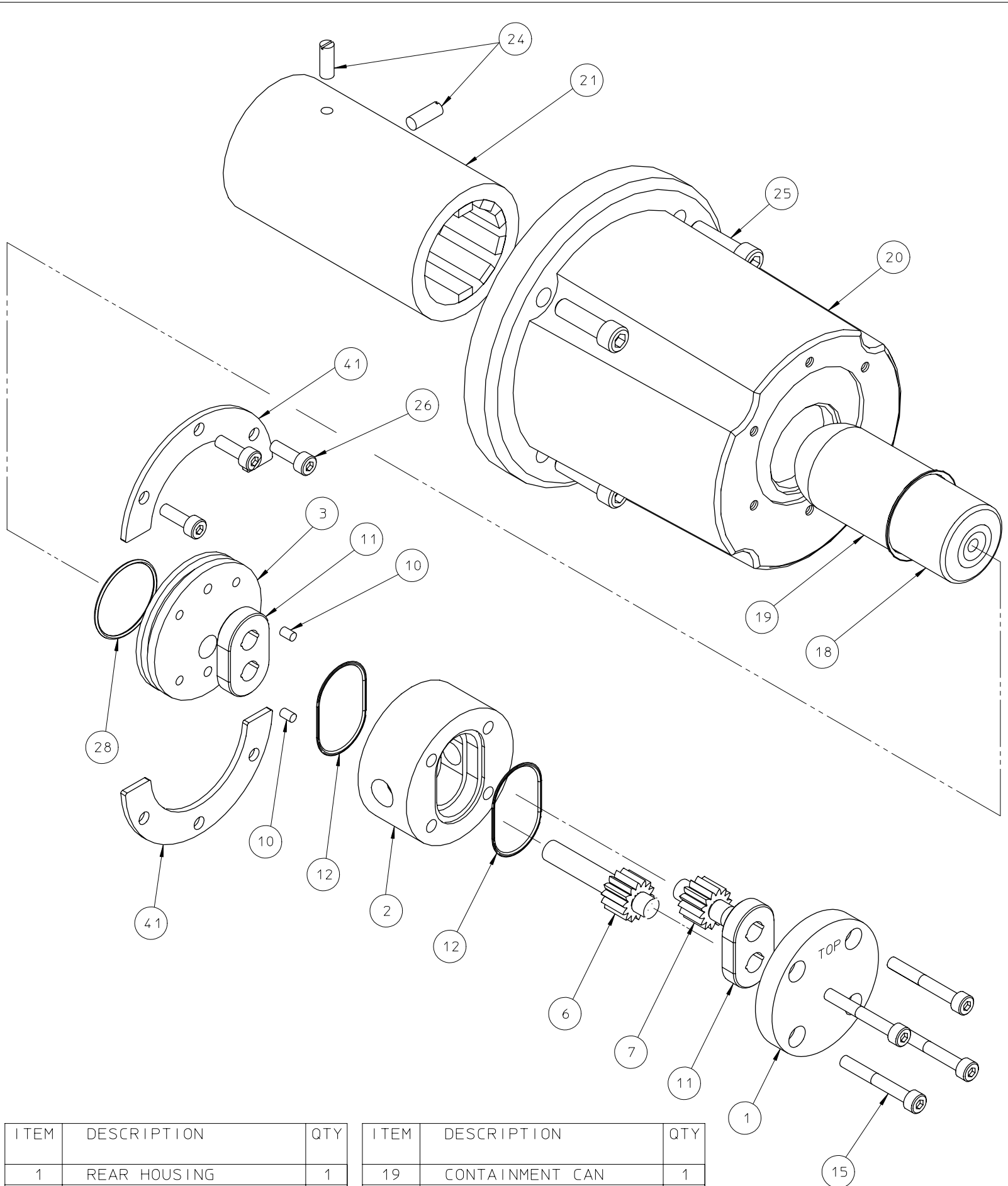


D	=	143TC - 184C Frame, Double Containment Can						X	X		
R	=	1.125 inch Input Shaft, Single Containment Can								X	X
T	=	1.125 inch Input Shaft, Double Containment Can								X	X
STANDARD METRIC MOUNTING											
J	=	71 Frame, Single Containment Can (85.0 mm B.C.)	(4)	X	X						
K	=	80 Frame, Single Containment Can (100.0 mm B.C.)		X	X	X	X				
L	=	90 Frame, Single Containment Can (115.0 mm B.C.)				X	X				
P	=	100 Frame, Single Containment Can (130.0 mm B.C.)						X	X		
Q	=	100 Frame, Double Containment Can (130.0 mm B.C.)						X	X		
U	=	28 mm Input Shaft, Single Containment Can								X	X
V	=	28 mm Input Shaft, Double Containment Can								X	X
Position 9, 10 and 11 Options: Consult your local distributor to meet your special requirements.											

NOTE:

- (1) Maximum differential pressure allowed for plastic/plastic gears is 50 psig
- (2) Pumps with metallic drive and idler gears require minimum viscosity of 100 cPs and are limited to 1440 rpm maximum speed for GMC2-GMH8 pumps and 1150 rpm for GM12-16 pumps.
- (3) Ceramic wear plates with metallic gears require minimum viscosity of 100 cPs.
- (4) For GMC1 pump only: gears, wear plates and bearings are also available with indicated material or RYTON[®]; also available for NEMA 42C, 45C and IEC 63 motor frames



ITEM	DESCRIPTION	QTY
1	REAR HOUSING	1
2	CENTER HOUSING	1
3	FRONT HOUSING	1
6	DRIVE GEAR	1
7	IDLER GEAR	1
10	ALIGNMENT PIN	2
11	WEAR PLATE	2
12	HOUSING O-RING	2
15	SCREW	4
18	DRIVEN MAGNET ASSY	1

ITEM	DESCRIPTION	QTY
19	CONTAINMENT CAN	1
20	MOTOR ADAPTOR	1
21	MAGNET HOLDER	1
24	SET SCREW	2
25	BOLT	4
26	SCREW	6
28	CAN O-RING	1
41	RETAINER CLAMP	2

△	UPDATE ISO VIEW	10/22/02
REF	REVISION UPDATE	DATE

SECTION/PAGE	GMC1 / 400
EFFECTIVE	10/22/02
SUPERSEDES	09/15/01

ALL DIMENSIONS ARE IN INCHES	
Isochem	PULSAFEEDER A Unit of IDEX Corporation
GMC 1 EXPLODED ISOMETRIC	
DWN BY: PTP	AE00076
DATE: 02/26/01	

**ISOCHEM GMC1 SERIES PUMP
 CONSOLIDATED B / M**

Position 3 Standard Pump Metallurgies Port Connection								
316 SS (A) OR (K)		ALLOY C (C) OR (M)		ALLOY 20 (D) OR (N)				
DESCRIPTION	QTY	PART NUMBER	MATERIAL	PART NUMBER	MATERIAL	PART NUMBER	MATERIAL	ITEM

STANDARD PUMP – NON-VARIABLE COMPONENTS

HOUSING, REAR	1	NG050001-316	316 SS	NG050001-HC0	ALLOY C	NG050001-020	ALLOY 20	1
HOUSING, CENTER FNPT	1	NG040001-316	316 SS	NG040001-HC0	ALLOY C	NG040001-020	ALLOY 20	2
HOUSING, CENTER FBSPT		NG040016-316	316 SS	NG040016-HC0	ALLOY C	NG040016-020	ALLOY 20	
HOUSING, FRONT	1	NG030001-316	316 SS	NG030001-HC0	ALLOY C	NG030001-020	ALLOY 20	3
# O-RING, CENTER HOUSING	*2	W078419-TFE	PTFE	W078419-TFE	PTFE	W078419-TFE	PTFE	12
PIN, ALIGNMENT	2	40801	188 SS	40801	188 SS	40801	188 SS	10
SCREW, CENTER HOUSING	4	W770272-188	188 SS	W770272-188	188 SS	W770272-188	188 SS	15
CLAMP, PUMP RETAINER	2	NG990001-000	300 SS	NG990001-000	300 SS	NG990001-000	300 SS	41
SCREW, CLAMP	*6	W770010-188	188 SS	W770010-188	188 SS	W770010-188	188 SS	26
NAMEPLATE	1	41210	188 SS	41210	188 SS	41210	188 SS	--
ALLEN WRENCH (FOR ITEM #15)	1	NG990007-000	STEEL	NG990007-000	STEEL	NG990007-000	STEEL	--
ALLEN WRENCH (FOR ITEM #26)	1	NG990008-000	STEEL	NG990008-000	STEEL	NG990008-000	STEEL	--
MANUAL, INSTL/OP/MAINT/INSTR	1	GMC1-IOM	----	GMC1-IOM	----	GMC1-IOM	----	--

POSITION 4, – DRIVE SHAFT and GEAR MATERIALS

A	# 316 SS DRIVE	1	NG010001-316	316 SS	NG010001-316	316 SS	NG010001-316	316 SS	6
C	# Alloy C, DRIVE	1	NG010001-HC0	ALLOY C	NG010001-HC0	ALLOY C	NG010001-HC0	ALLOY C	
D	# Alloy 20, DRIVE	1	NG010001-020	ALLOY 20	NG010001-020	ALLOY 20	NG010001-020	ALLOY 20	
Q	# Ryton® w/ Pos 3 Material DRIVE Shaft.	1	NG010001-RTA	316 SS W/ RYT	NG010001-RTC	ALLOY C W/ RYT	NG010001-RTD	ALLOY 20 W/ RYT	
E	# Peek w/ Pos 3 Material DRIVE Shaft.	1	NG010001-PKA	316 SS W/ PEEK	NG010001-PKC	ALLOY C W/ PEEK	NG010001-PKD	ALLOY 20 W/ PEEK	

POSITION 5 – IDLER SHAFT and GEAR MATERIALS

A	# 316 SS DRIVE	1	NG010002-316	316 SS	NG010002-316	316 SS	NG010002-316	316 SS	7
C	# Alloy C, IDLER	1	NG010002-HC0	ALLOY C	NG010002-HC0	ALLOY C	NG010002-HC0	ALLOY C	
D	# Alloy 20, IDLER	1	NG010002-020	ALLOY 20	NG010002-020	ALLOY 20	NG010002-020	ALLOY 20	
Q	# Ryton® w/ Pos 3 Material IDLER Shaft.	1	NG010002-RTA	316 SS W/ RYT	NG010002-RTC	ALLOY C W/ RYT	NG010002-RTD	ALLOY 20 W/ RYT	
E	# Peek w/ Pos 3 Material IDLER Shaft.	1	NG010002-PKA	316 SS W/ PEEK	NG010002-PKC	ALLOY C W/ PEEK	NG010002-PKD	ALLOY 20 W/ PEEK	

POSITION 6, and 7 – WEAR PLATE / BEARING ASSEMBLY MATERIALS

KK	# Carbon	2	NG080001-CBN	CARBON	NG080001-CBN	CARBON	NG080001-CBN	CARBON	11
QQ	# Ryton®	2	NG220001-RYT	RYTON	NG220001-RYT	RYTON	NG220001-RYT	RYTON	
TT	# Teflon	2	NG220001-TFE	TEFLON	NG220001-TFE	TEFLON	NG220001-TFE	TEFLON	

POSITION 8 – STANDARD NEMA C-FACE and IEC METRIC FRAME MAGNETIC COUPLING ARRANGEMENT and MATERIALS

COMMON PARTS	# O-RING, CONTAINMENT CAN	*1	W078419-TFE	PTFE	W078419-TFE	PTFE	W078419-TFE	PTFE	28
	CAN, CONTAINMENT	1	NG210001-316	316 SS	NG210001-HC0	316 SS	NG210001-020	ALLOY 20	19
	MAGNET, DRIVEN	1	NG200002-RYT	RYT	NG200002-RYT	RYT	NG200002-RYT	RYT	18

42C FRAME COMPONENTS

B	ADAPTER, MOTOR 42C	1	NG110002-000	ALU	NG110002-000	ALU	NG110002-000	ALU	20
	BOLT	4	W770022-188	188 SS	W770022-188	188 SS	W770022-188	188 SS	25
	DRIVE MAG ASSY	1	NG200006-000	STEEL	NG200006-000	STEEL	NG200006-000	STEEL	21
	SET SCREW	1	W771004-021	STEEL	W771004-021	STEEL	W771004-021	STEEL	24

48C FRAME COMPONENTS

C	ADAPTER, MOTOR 48C	1	NG110002-000	ALU	NG110002-000	ALU	NG110002-000	ALU	20
	BOLT	4	W770022-188	188 SS	W770022-188	188 SS	W770022-188	188 SS	25
	DRIVE MAG ASSY	1	NG200011-000	STEEL	NG200011-000	STEEL	NG200011-000	STEEL	21
	SET SCREW	1	W771004-021	STEEL	W771004-021	STEEL	W771004-021	STEEL	24

* COMPONENT QUANTITY MAY BE CUMULATIVE OVER THE ENTIRE BILL OF MATERIALS
 # DENOTES RECOMMENDED SPARE PART

ISOCHEM GMC1 SERIES PUMP CONSOLIDATED B / M

SECTION: MODEL GMC1
PAGE: 201
DATE REV.: 11 / 12 / 12
SUPERSEDES: 11 / 30 / 06

Position 3 Standard Pump Metallurgies Port Connection							
316 SS (A) OR (K)		ALLOY C (C) OR (M)		ALLOY 20 (D) OR (N)			
PART NUMBER	MATERIAL	PART NUMBER	MATERIAL	PART NUMBER	MATERIAL	PART NUMBER	MATERIAL

DESCRIPTION	QTY	PART NUMBER	MATERIAL	PART NUMBER	MATERIAL	PART NUMBER	MATERIAL	ITEM
-------------	-----	-------------	----------	-------------	----------	-------------	----------	------

56C FRAME COMPONENTS									
F	ADAPTER, MOTOR 56C	1	NG110001-000	ALU	NG110001-000	ALU	NG110001-000	ALU	20
	BOLT	4	W770425-188	188 SS	W770425-188	188 SS	W770425-188	188 SS	25
	DRIVE MAG ASSY	1	NG200010-000	STEEL	NG200010-000	STEEL	NG200010-000	STEEL	21
	SET SCREW	1	W771004-116	STEEL	W771004-116	STEEL	W771004-116	STEEL	24

63 FRAME (B14 FACE MOUNTING) COMPONENTS									
H	ADAPTER, MOTOR 63C	1	NG110003-000	ALU	NG110003-000	ALU	NG110003-000	ALU	20
	BOLT	4	NP990479-188	188 SS	NP990479-188	188 SS	NP990479-188	188 SS	25
	DRIVE MAG ASSY	1	NG200014-000	STEEL	NG200014-000	STEEL	NG200014-000	STEEL	21
	SET SCREW	1	NP991004-001	STEEL	NP991004-001	STEEL	NP991004-001	STEEL	24

71 FRAME (B14 FACE MOUNTING) COMPONENTS									
J	ADAPTER, MOTOR 71C	1	NG110004-000	ALU	NG110004-000	ALU	NG110004-000	ALU	20
	BOLT	4	NP990482-188	188 SS	NP990482-188	188 SS	NP990482-188	188 SS	25
	DRIVE MAG ASSY	1	NG200015-000	STEEL	NG200015-000	STEEL	NG200015-000	STEEL	21
	SET SCREW	1	NP991004-001	STEEL	NP991004-001	STEEL	NP991004-001	STEEL	24

POSITION 9									
B	# GASKET, O-RING	2	W078419-001	SS / PFA	W078419-001	SS / PFA	W078419-001	SS / PFA	12

* COMPONENT QUANTITY MAY BE CUMULATIVE OVER THE ENTIRE BILL OF MATERIALS
DENOTES RECOMMENDED SPARE PART

DWG: GMC1P201

**ISOICHEM GMC1 SERIES PUMP
 CONSOLIDATED B / M**

Position 3 Standard Pump Metallurgies Port Connection								
TITANIUM (F) OR (O)		ALLOY B (B) OR (L)		----		----		
DESCRIPTION	QTY	PART NUMBER	MATERIAL	PART NUMBER	MATERIAL	PART NUMBER	MATERIAL	ITEM

STANDARD PUMP – NON-VARIABLE COMPONENTS

HOUSING, REAR	1	NG050001-TIT	TITANIUM	NG050001-HB0	ALLOY B	----	----	1
HOUSING, CENTER FNPT	1	NG040001-TIT	TITANIUM	NG040001-HB0	ALLOY B	----	----	2
HOUSING, CENTER FBSPT		NG040016-TIT	TITANIUM	NG040016-HB0	ALLOY B	----	----	
HOUSING, FRONT	1	NG030001-TIT	TITANIUM	NG030001-HB0	ALLOY B	----	----	3
# O-RING, CENTER HOUSING	2	W078419-TFE	PTFE	W078419-TFE	PTFE	----	----	12
PIN, ALIGNMENT	2	40801	188 SS	40801	188 SS	----	----	10
SCREW, CENTER HOUSING	4	W770272-188	188 SS	W770272-188	188 SS	----	----	15
CLAMP, PUMP RETAINER	2	NG990001-000	300 SS	NG990001-000	300 SS	----	----	41
SCREW, CLAMP	*6	W770010-188	188 SS	W770010-188	188 SS	----	----	26
NAMEPLATE	1	41210	188 SS	41210	188 SS	----	----	--
ALLEN WRENCH (FOR ITEM #15)	1	NG990007-000	STEEL	NG990007-000	STEEL	----	----	--
ALLEN WRENCH (FOR ITEM #26)	1	NG990008-000	STEEL	NG990008-000	STEEL	----	----	--
MANUAL, INSTL/OP/MAINT/INSTR	1	GMC1-IOM	----	GMC1-IOM	----	----	----	--

POSITION 4, – DRIVE SHAFT and GEAR MATERIALS

F	# TITANIUM DRIVE	1	NG010001-TIT	TITANIUM	NG010001-TIT	TITANIUM	----	----	6
B	# Alloy B, DRIVE	1	NG010001-HB0	ALLOY B	NG010001-HB0	ALLOY B	----	----	
Q	# Ryton® w/ Pos 3 Material DRIVE Shaft.	1	NG010001-RTT	TITANIUM W/ RYT	NG010001-RTB	ALLOY B W/ RYT	----	----	
E	# Peek w/ Pos 3 Material DRIVE Shaft.	1	NG010001-PKT	TITANIUM W/ PEEK	NG010001-PKB	ALLOY B W/ PEEK	----	----	

POSITION 5 – IDLER SHAFT and GEAR MATERIALS

F	# TITANIUM DRIVE	1	NG010002-TIT	TITANIUM	NG010002-TIT	TITANIUM	----	----	7
B	# Alloy B, IDLER	1	NG010002-HB0	ALLOY B	NG010002-HB0	ALLOY B	----	----	
Q	# Ryton® w/ Pos 3 Material IDLER Shaft.	1	NG010002-RTT	316 SS W/ RYT	NG010002-RTB	ALLOY B W/ RYT	----	----	
E	# Peek w/ Pos 3 Material IDLER Shaft.	1	NG010002-PKT	316 SS W/ PEEK	NG010002-PKB	ALLOY B W/ PEEK	----	----	

POSITION 6, and 7 – WEAR PLATE / BEARING ASSEMBLY MATERIALS

KK	# Carbon	2	NG080001-CBN	CARBON	NG080001-CBN	CARBON	----	----	11
QQ	# Ryton®	2	NG220001-RYT	RYTON	NG220001-RYT	RYTON	----	----	

POSITION 8 – STANDARD NEMA C-FACE and IEC METRIC FRAME MAGNETIC COUPLING ARRANGEMENT and MATERIALS

COMMON PARTS	# O-RING, CONTAINMENT CAN	1	W078419-TFE	PTFE	W078419-TFE	PTFE	----	----	28
	CAN, CONTAINMENT	1	NG210001-316	TITANIUM	NG210001-HC0	ALLOY B	----	----	19
	MAGNET, DRIVEN	1	NG200002-RYT	RYT	NG200002-RYT	RYT	----	----	18

42C FRAME COMPONENTS

B	ADAPTER, MOTOR 42C	1	NG110002-000	ALU	NG110002-000	ALU	----	----	20
	BOLT	4	W770022-188	188 SS	W770022-188	188 SS	----	----	25
	DRIVE MAG ASSY	1	NG200006-000	STEEL	NG200006-000	STEEL	----	----	21
	SET SCREW	1	W771004-021	STEEL	W771004-021	STEEL	----	----	24

48C FRAME COMPONENTS

C	ADAPTER, MOTOR 48C	1	NG110002-000	ALU	NG110002-000	ALU	----	----	20
	BOLT	4	W770022-188	188 SS	W770022-188	188 SS	----	----	25
	DRIVE MAG ASSY	1	NG200011-000	STEEL	NG200011-000	STEEL	----	----	21
	SET SCREW	1	W771004-021	STEEL	W771004-021	STEEL	----	----	24

* COMPONENT QUANTITY MAY BE CUMULATIVE OVER THE ENTIRE BILL OF MATERIALS
 # DENOTES RECOMMENDED SPARE PART

ISOCHEM GMC1 SERIES PUMP CONSOLIDATED B / M

SECTION: MODEL GMC1
PAGE: 203
DATE REV.: 11 / 12 / 12
SUPERSEDES: 11 / 30 / 06

Position 3 Standard Pump Metallurgies Port Connection		
TITANIUM (F) OR (O)	ALLOY B (B) OR (L)	----

DESCRIPTION	QTY	PART NUMBER	MATERIAL	PART NUMBER	MATERIAL	PART NUMBER	MATERIAL	ITEM	
56C FRAME COMPONENTS									
F	ADAPTER, MOTOR 56C	1	NG110001-000	ALU	NG110001-000	ALU	----	----	20
	BOLT	4	W770425-188	188 SS	W770425-188	188 SS	----	----	25
	DRIVE MAG ASSY	1	NG200010-000	STEEL	NG200010-000	STEEL	----	----	21
	SET SCREW	1	W771004-116	STEEL	W771004-116	STEEL	----	----	24
63 FRAME (B14 FACE MOUNTING) COMPONENTS									
H	ADAPTER, MOTOR 63C	1	NG110003-000	ALU	NG110003-000	ALU	----	----	20
	BOLT	4	NP990479-188	188 SS	NP990479-188	188 SS	----	----	25
	DRIVE MAG ASSY	1	NG200014-000	STEEL	NG200014-000	STEEL	----	----	21
	SET SCREW	1	NP991004-001	STEEL	NP991004-001	STEEL	----	----	24
71 FRAME (B14 FACE MOUNTING) COMPONENTS									
J	ADAPTER, MOTOR 71C	1	NG110004-000	ALU	NG110004-000	ALU	----	----	20
	BOLT	4	NP990482-188	188 SS	NP990482-188	188 SS	----	----	25
	DRIVE MAG ASSY	1	NG200015-000	STEEL	NG200015-000	STEEL	----	----	21
	SET SCREW	1	NP991004-001	STEEL	NP991004-001	STEEL	----	----	24

* COMPONENT QUANTITY MAY BE CUMULATIVE OVER THE ENTIRE BILL OF MATERIALS
DENOTES RECOMMENDED SPARE PART

DWG: GMC1P203