

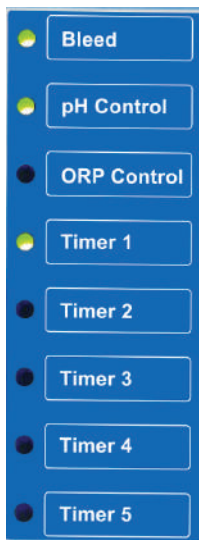
PULSAFEEDER®

MicroVision EX is a microprocessor-based conductivity, pH, and ORP controller, with the features and functions you need for accurate monitoring and control of cooling tower water that won't break your budget!

FEATURES

- One-point calibration.
- Large easy to read color display.
- Install Wizard USB standard on all controllers to facilitate fast controller configuration.
- Up to 10 digital inputs.
- Optional 4-20 mA analog outputs and inputs.
- Dry contact alarm output.
- USB data logging is standard:
 - Up to 2 years of data logging.
- Robust data logging capabilities for higher reliability.
- Ability to add second water meter for increased water efficiency and accurately calculate evaporation credits.
- Lockable front cover.
- Modbus BMS integration.

CONTROLS



Bleed

- Solenoid valves, or motorized ball valves

pH and ORP Control

- Pumps, solenoid valves, or motorized ball valves

Up to 6 Selectable Timer Relays

Programmable Timer Modes

- Limit timer
- Percent timer
- % post bleed with limit timer
- Water meter pulse timer
- Biocide control timer, with pre-bleed, lockout, and conductivity minimum
- 4-20mA input, conductivity, pH, or ORP set point control
- Alarm output

OPERATING BENEFITS

- Easy installation - Remotely configure your controller in minutes using Install Wizard.
- Easy programming based on MicroVision simplicity.
- Toroidal conductivity probe. No need to recalibrate conductivity probe.
- Customization relays, water meters inputs, reports and graphing.
- Unsurpassed reporting and graphing to help you do your job quickly and more accurately.
- Enhanced charting capabilities for representation of system parameters to track water treatment programs efficacy.
- Customizable timer programs without system reboot.
- Wide control range: 0 - 9,999 $\mu\text{S}/\text{cm}$.
- Compact size saves space and reduces freight cost.
- Complete system right out of the box as MicroVision EX can be ordered with Modem Millie.
- Two year warranty.



PULSAlink ACCESS VIA

- Web
- App (iOS & Android)



MicroVision^{EX}

Cooling Tower Controller



SPECIFICATION AND MODEL SELECTION

MODEL	Control Parameters	Relays	Timers	Probes	4-20mA Inputs	4-20mA Outputs	Digital Inputs	PULSAlink / Modbus ³	Water Meters
MVEC...	Conductivity	4	3	1	0 to 1	0 to 1	6	N/A ¹ / Pre-Installed ² / Included ³	2
MVEC5...	Conductivity	5	4	1	0 to 1	0 to 1	6	N/A ¹ / Pre-Installed ² / Included ³	2
MVECP...	Conductivity and pH	8	6	2	0 to 2	0 to 4	10	Optional ¹ / Pre-Installed ² / Included ³	6
MVECO...	Conductivity and ORP	8	6	2	0 to 2	0 to 4	10	Optional ¹ / Pre-Installed ² / Included ³	6
MVECPO...	Conductivity, pH and ORP	8	5	3	0 to 2	0 to 4	10	Optional ¹ / Pre-Installed ² / Included ³	6

1. Models with "X" in 11th position of model number
 2. Models with "E" in 11th position of model number

3. Models with "M" in 11th position of model number includes Modbus

ENGINEERING DATA DIGITAL INPUTS

Digital Inputs	Input 1	Input 2, 3, 4	Input 5	Input 6	Input 7	Inputs 8, 9, 10
Function	Flow Switch	Drum Level	Water Meter	Water Meter	Water Meter	Water Meter
Dry Contact	√	√	√	√	√	√
Hall Effect			√			√
Model Type	All				MVECPXXX, MVECOXXX, MVECPOXXX	

ENGINEERING DATA

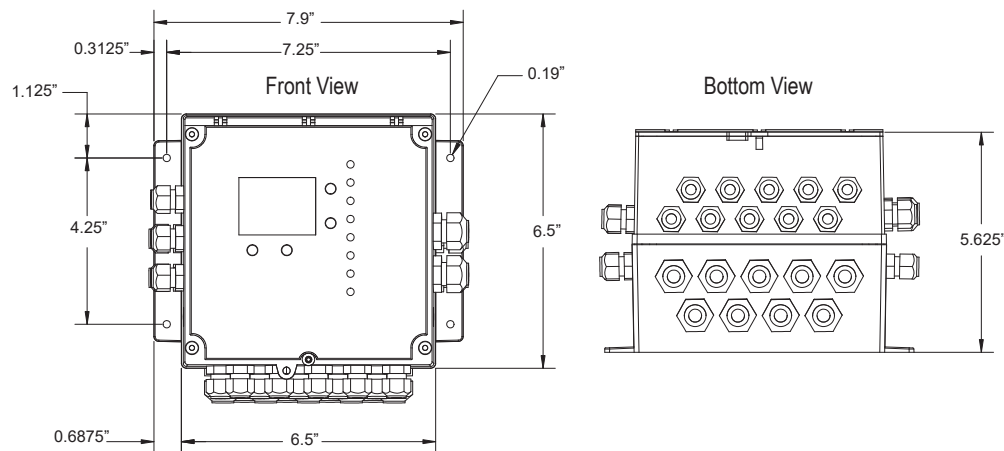
Controller Specifications	
Enclosure	IP65
Temperature Range	122°F / 50°C
Power Supply	100 VAC – 240 VAC / 50/60Hz / 8A
Control Output	8 Amps max (3 Amps / Relay)
Display	Multicolor graphical LCD
Set Point Range	0 - 9,999 µS/cm; 0-14 pH; -2000 - + 2000mV
Set Point Types	Rising or Falling
Languages	English, Spanish, Portuguese

Sensor Specifications	
Maximum Temperature	122°F / 50°C
Flow Switch Activate Flow Rate	Approx. 1 GPM / 3.78 LPM
Conductivity Temp. Compensation Range	32°F - 122°F / 0°C - 50°C
Maximum Pressure	125 PSI (8.6 BAR)
Sensor Type	Toroidal Conductivity Standard industrial pH and ORP sensor PTSA (Pyxis or Little Dipper)

AFTERMARKET

- Flow Meter-Track total chemical fed into the system. Improve ROI of chemical controls. Enhance efficacy of treatment programs.
- MODEL: MTR-GEAR-KIT
- Solenoids
- Motorized Ball Valves
- Water Meters
- Corrosion Coupon Racks
- Metering Pumps (PULSAtron, XP Series)

DIMENSIONS



MICROVISION EX PANEL SYSTEMS

Pulsafeeder's MicroVision Systems are designed to provide complete and easy to install solutions for cooling tower applications.

- Rugged custom fabricated assemblies.
- Turn-key simplicity.
- Industrial-grade durability.
- Mounting locations for up to three pumps.
- Factory assembled and hydrostatically tested.



27101 Airport Road
 Punta Gorda, FL 33982
 Tel: (941) 575-3800
 Fax: (941) 575-4085
www.pulsafeeder.com



An ISO Certified Company



MVE001 F26