

ECLIPSE® 05

NON-METALLIC EXTERNAL GEAR PUMP

Eclipse pumps represent a dramatic advance in pump technology.

Combining proven design principles with state-of-the-art engineered composites, it is the most safe, simple, and reliable pump on the market today. Service takes minutes, reducing process downtime and maintenance costs. It is commonly used for applications in industries such as chemical processing, petrochemical, and water treatment.



Applications

- pH control
- odor control
- acids
- caustics



Flow

up to 1.6 gpm (6.1 lpm)



Pressure

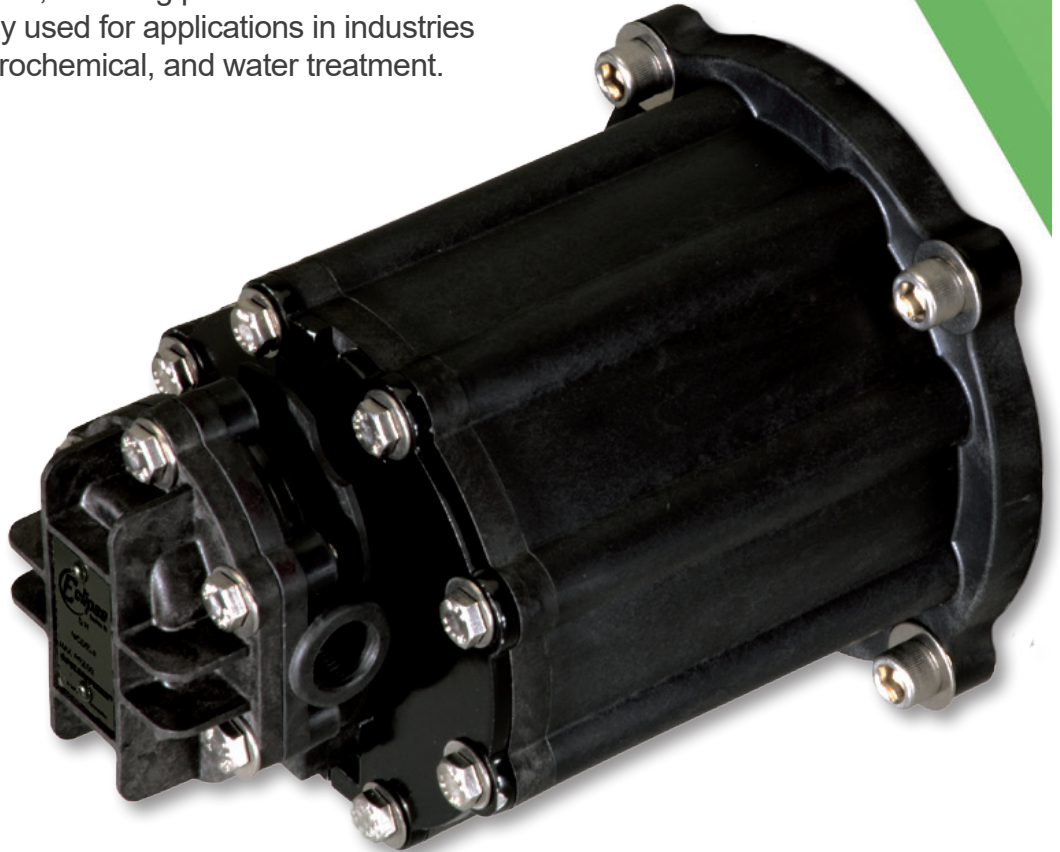
up to 150 psi (10.3 bar)



Temperature

up to 200°F (93°C)*

*with derated pressure



- No mechanical seals needed because of magnetically driven, engineered composite housings and gears
- Close coupled mounting eliminates cost and potential issues associated with pump and motor alignment
- Bi-directional and mounting in 45° increments

Zero Leakage

- Fully encapsulated magnets
- Engineered composite fluoropolymer provides superior chemical resistance
- Zero emissions of hazardous or regulated chemicals

Built for the harshest environments

- Ideal fit for many medium to highly corrosive liquids

Ease of Maintenance

- Front pull-out design for quick and easy service
- Piping and electrical stay intact
- KOPkit® (Keep On Pumping kit) saves time and money
- Simplified orders and inventory
- Reduced downtime

Controls

- Pulsafeeder RV Controller: Intelligent Motor Speed

SPECIFICATIONS

| | |
|---|--|
| Gear type | External spur gear |
| Port size & type | 3/8" NPT or BSPT |
| Direction of rotation | Bi-directional |
| Theoretical displacement | 0.113 US gal / 100 Rev (4.3 / Rev) |
| Max differential pressure | 150 psi (10.3 bar) |
| Max allowable working pressure | 200 psi (13.8 bar) |
| Max speed | 1750 RPM |
| Max flow | 1.6 gpm (6.1 lpm) |
| Viscosity | 10,000 cPs |
| Max temp | up to 200°F (93°C)* |
| Min temp | -40°F (-40°C) |
| Bearing type | Sleeve bearing |
| Magnetic torque rating @ 68°F (20°C) | 228 in/lbs. (25.7 N-m) |
| Magnetic temp rating | 300°F (149°C) |
| Motor frame size | NEMA 56C, 143/145TC, IEC 63 and 80 B3/B14 |
| Pump weight | 8.9 lbs. (4.0 kg) less motor, approximate |
| Standards | NSF, ATEX, CE |

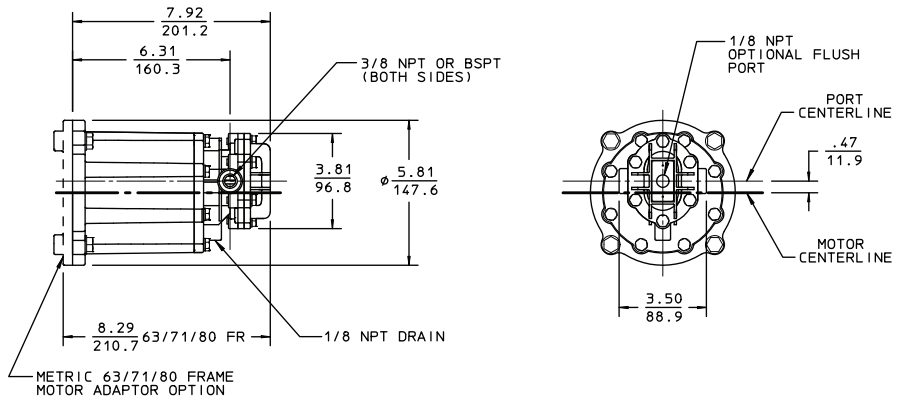
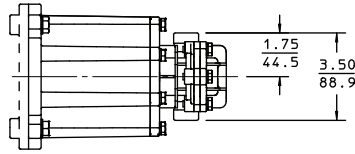
*with derated pressures

MATERIALS OF CONSTRUCTION

| | |
|----------------------|--|
| Base material | PVDF |
| Liner | Carbon Reinforced PTFE |
| Bearings | Carbon (Graphite), Silicon carbide (Graphite-impregnated) |
| O-rings | Viton®, EPDM, or Perfluoroelastomer |
| Shafts | Alumina Ceramic |
| Drive gear | Carbon reinforced PTFE |
| Idler gear | Carbon reinforced PTFE |
| Magnet | Neodymium encapsulated vitrin PTFE |

DIMENSIONS

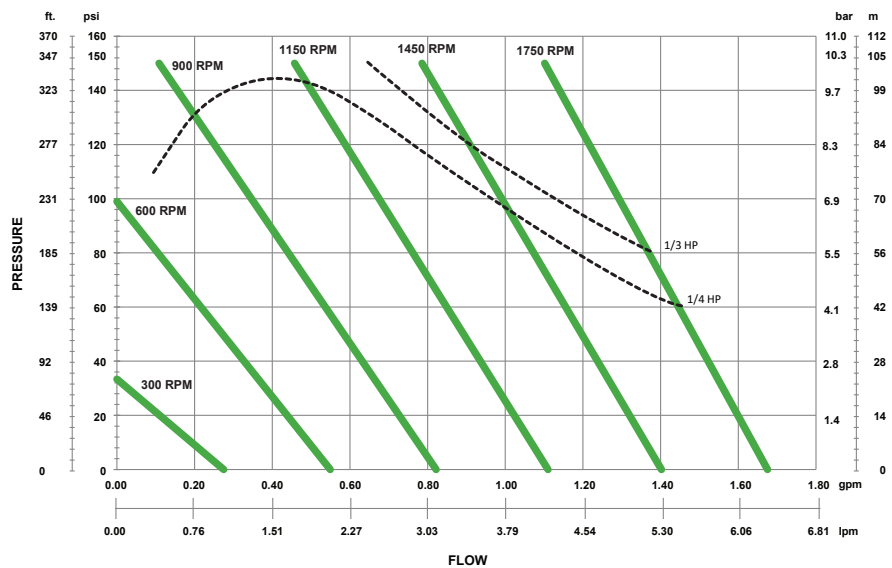
Inches
Millimeters



The dimensions given may differ depending on pump configuration.

FLOW & PRESSURE ENVELOPE

(1 cPs, 1/2 HP / .55 kW, Specific Gravity 1.0)



Pulsafeeder, Inc.
 2883 Brighton Henrietta Town Line Rd.
 Rochester, NY 14623
 Phone: +1 (585) 292-8000
 pulsa@idexcorp.com • pulsa.com

Pulsafeeder is an ISO 9001 Certified Company.

elc05spec_Rev 0622