

Isochem[®] GMH6

MAGNETICALLY DRIVEN SEALLESS GEAR PUMP

Pulsafeeder's Isochem[®] GMH6 Series is a compact magnetically driven sealless gear pump designed for safely handling highly corrosive, hazardous, explosive, or toxic chemicals and industrial applications. The GMH6 is the high-pressure counterpart to the model GMC6 and provides safe leak free service since the magnetic coupling eliminates the need for traditional shaft sealing methods such as mechanical seals and shaft packing which are the primary source of leakage in rotating shaft pumps. Furthermore, expensive seal flushing or lubrication systems are eliminated. Consequently, mean time between failures is maximized while maintenance and operation costs are minimized!



Configurations available certified to UL 1389:2019 Ed 1, "Plant Oil Extraction Equipment for Installation and Use in Ordinary (Unclassified) Locations and Hazardous (Classified) Locations"

Operating Benefits

- Flows up to 10.0 gpm (37.8 lpm)
- Pressures up to 250 psi (17.2 bar)
- Laminar, non-pulsating flow
- Compact, close-coupled foot print eliminates issues related to alignment between pump and motor
- Leak free service minimizes exposure of your personnel to hazardous chemicals
- Ideal for viscosities from less than 1 to 100,000 cPs
- Suitable for vacuum service
- Can be used for metering or transfer of expensive, hazardous and corrosive chemicals over the entire pH range

Key Features

- Samarium cobalt (standard) coaxial synchronous magnets
- High torque magnetic coupling minimizes possibility of decoupling
- Internal pressurized lubrication system
- Inline discharge and suction connections
- Sealless, leak free operation

Materials of Construction

- **Pump Housing:** 316, Alloy 20, Hastelloy-C
- **Gears:** 316, Alloy C, PEEK
- **Wear Plates:** Carbon, Teflon®, PEEK, Ceramic
- **Bearings:** Teflon®, Carbon (Grade 76), Carbon (Grade P90)
- **Containment Can:** Hastelloy-C
- **Magnets:** Samarium Cobalt
- **O-Ring Seal:** PTFE or 316SS spiral wound PFA encapsulated

Aftermarket & Accessory Offerings

- KOPkit[®]
- Cal Column
- Strainer
- Pressure Relief Valves
- Back Pressure Valves
- Gauges



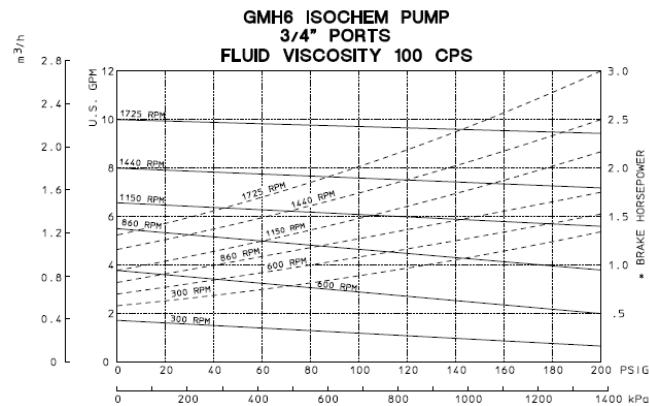
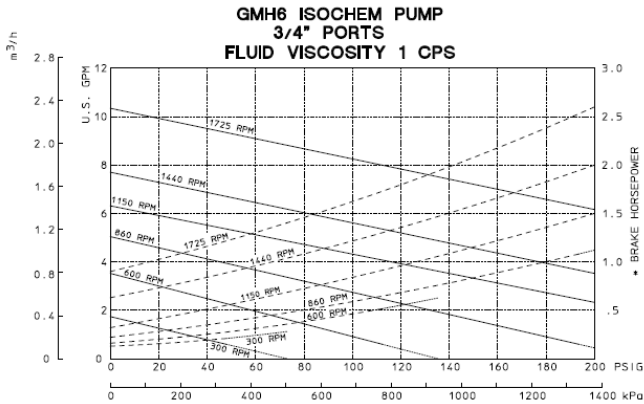
Isochem[®] GMH6

GENERAL SPECIFICATIONS

Curves shown represent Maximum Differential Pressure^{1,3}.
 Contact your Pulsafeeder representative for more information on:
 ~ Operating at viscosities greater than 100 cPs

Port Size and Type _____ 3/4" 150 lb. RF Flange
 Direction of Rotation _____ Bi-directional
 Theoretical Displacement _____ 0.684 gal/100 rev. (25.9 cc/rev)
 Maximum Differential Pressure (MDP)^{1,3} _____ 200 psi (13.8 bar)
 Max. Allowable Working Pressure (MAWP)^{2,3} _____ 250 psig (17.2 barg)
 Maximum Speed _____ 1750 rpm
 Maximum Capacity at 0 psig _____ 10.0 gpm (37.8 lpm)
 Maximum Viscosity _____ 100,000 cPs
 Maximum Process Fluid Temperature _____ 450 F (232 C)
 Minimum Process Fluid Temperature _____ -40 F (-40 C)
 Fluid pH Range _____ 0-14
 Gear Type _____ Compact Spur Gear
 Bearing Type _____ Sleeve
 Magnetic Torque Rating _____ 341-389 in.-lbs.
 Motor Frame Sizes – NEMA _____ 143/45TC, 182/84TC, 213/15TC
 Motor Frame Sizes – IEC _____ 100L B3 / B14 Flange
 Weight, Less Motor _____ 70 lbs. (154 kg)

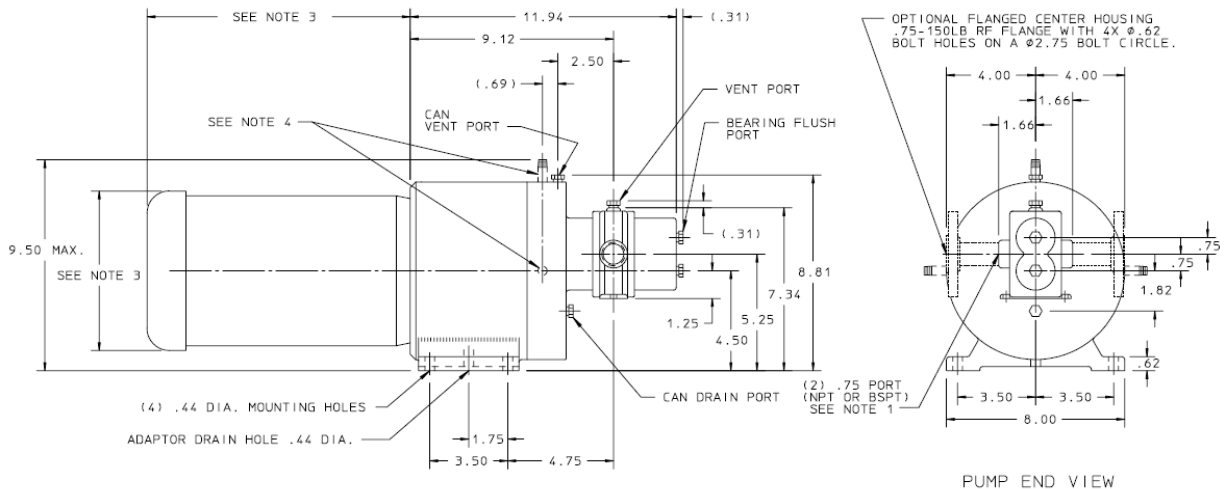
1. MDP. Maximum differential pressures between inlet (suction) and outlet (discharge) ports
2. MAWP. Maximum allowable continuous outlet (discharge) pressure
3. Operating above MDP will require offsetting inlet (suction) pressure



Reference dimensional data for GMH6 with 143/45TC frame motor is shown below.

For dimensional data for pump mounted to NEMA or IEC motors listed above please visit our website.

Pedestal mount (long coupled arrangement) will be required for certain motor sizes. Drawing below does not represent a pedestal mount arrangement.



Pulsafeeder, Inc.
 2883 Brighton Henrietta Town Line Rd. Rochester, NY 14623
 Phone: +1 (585) 292-8000
 pulsa@idexcorp.com • pulsa.com
 Pulsafeeder is an ISO 9001 Certified Company.
 © Copyright 2021 Pulsafeeder.