

PULSAFEEDER[®] ENGINEERED PRODUCTS

7440

PULSA Series[®]

Our time proven Pulsa Series[®] 7440 is a leak-free, hydraulically balanced diaphragm metering pump. It is engineered for precise dosing and long-term dependability to deliver superior value. Our flat diaphragm or unique HYDRAtube[®] head design, along with a variety of wet end materials, offers a diverse range of fluid handling solutions. The PULSA Series 7440 is commonly used for applications in industries such as chemical processing, petrochemical, oil & gas, water & wastewater treatment, and power.



Applications

corrosion inhibitors, anti-scalants, slurries, disinfection, pH and odor control



Flow

up to 440 gph (1666 lph)



Pressure

up to 3200 psi (221 bar)

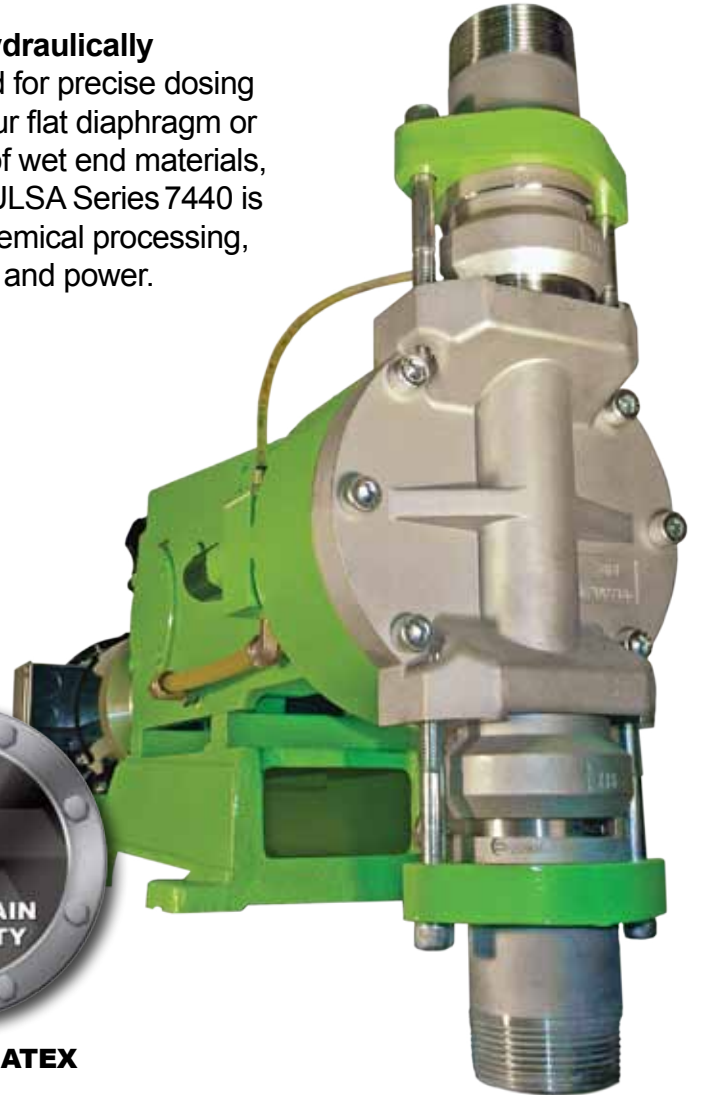


Temperature

up to 180°F (82°C)



API-675 • CE • ATEX



Hydraulic diaphragm metering delivers more than you expect.

Standard materials of construction

- Wet end: 316LSS, GF-PTFE, PVC
- Diaphragm: PTFE
- Pump body: Cast Iron
- Valve ball: 316LSS, Alumina Ceramic
- Valve gaskets: PTFE

Connection types

- NPT
- Raised-face Flange

Controls

- XAE - stroke length
 - NEMA Type 4X & Type 7
- VFD - motor speed

Leak detection

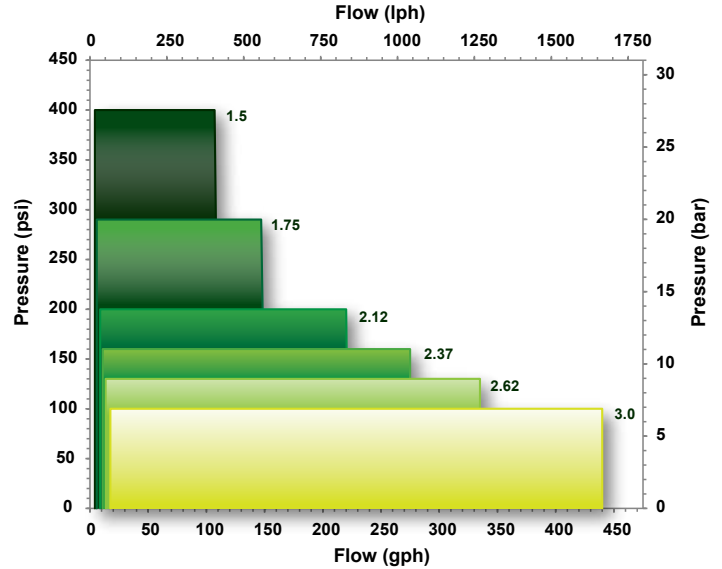
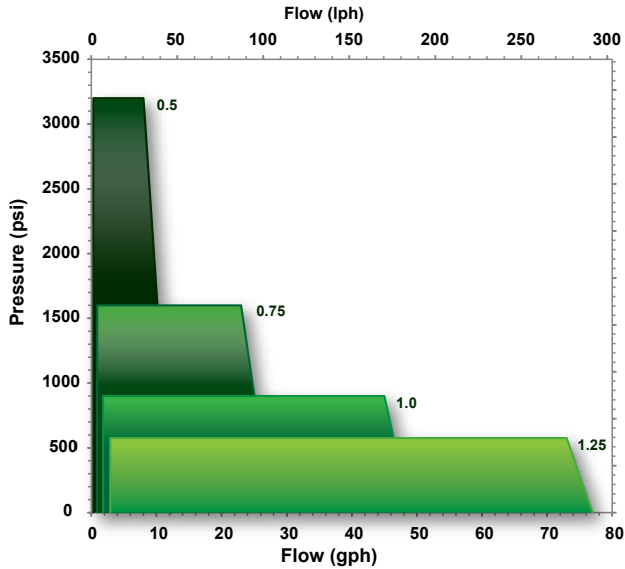
- PULSAAlarm[®]
 - Pressure based
 - IP66 NEMA Type 7/4X

Duplex configurations

HYDRAtube[®] design

- The solution for sheer sensitive and high viscosity fluids
- Straight flow-through path
- Double diaphragm safety
- Optional slurry valves
- Robust Ductile Iron housing
- Elastomeric HYDRAtube
- ChemAlarm[®] leak detection

Flow & Pressure Envelope by Piston Size (inches)



Features & Benefits

- Full motion stroke length control yields 0-100% linear flow adjustment over a 10:1 turndown range
- Hydraulically balanced diaphragm for long life and reduced service costs
- Proven hydraulic management system assures consistent performance and rapid recovery from system upsets
- Material options for safety, durability and chemical compatibility
- Epoxy coating resists corrosion from atmospheric contaminants
- Easy maintenance KOPkit® (Keep on Pumping kit) saves time and money

Custom Engineering

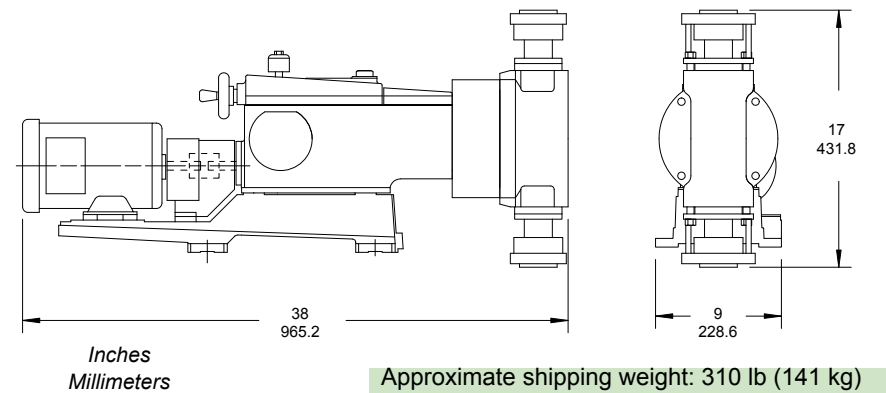
- Compatible materials: Alloy C, Alloy 20, Monel, DuplexSS, Titanium, PVDF
- Extended pressures to 3625 psi / 250 bar
- Extended temperature ranges
 - ♦ From -40°F (-40°C) to 700°F (371°C)
 - ♦ Remote heads and jackets
- Custom electronic controls
- Multiplex configurations
- Pneumatic stroke control
- Degassing valve
- Chemical feed systems
- Application consulting

Spec Pulsafeeder.
Get more than you expect.

Specifications

Materials	316LSS, PVC, GF-PTFE	Max temp	180°F (82°C)
Diaphragm type	Flat, Flat LD, Tube	Min temp	40°F (4.4°C)
Motor power	up to 2 hp (1.5 kW)	Accuracy	±1%
Motor frame	NEMA 56, 143T/145T, IEC 71B3	Standards	API-675, CE, ATEX

Dimensions



The dimensions shown may differ depending on pump configuration.

For More Information, Contact Your Authorized Pulsafeeder Engineered Products Representative

Pulsafeeder Engineered Products
2883 Brighton Henrietta Town Line Rd.
Rochester, NY 14623
Phone: +1 (585) 292-8000
pulsa@idexcorp.com • pulsafeeder.com

Pulsafeeder is an ISO 9001 Certified Company.

© Copyright 2026 Pulsafeeder. All rights reserved.



www.pulsafeeder.com

